



BLINDS AND SOLAR SHADING SYSTEMS

SUNLIGHT OPTIMIZATION

← EXTERIOR → INTERIOR





The blind in architectural projects



The blind integrated in a facade plays a key role in the design of a building, providing a functional response to thermal and lighting requirements.



The building envelope, in top of improving working conditions, offers multiple design options combining aestheticism and functionality.

The installation of solar shading systems, whether interior or exterior, contributes to the improvement of the building energy efficiency and to the reduction of CO₂ emissions.



All you need for your product specifications



Technical assessment department,
made up of engineers and architects,
meant to monitor works and pro-
jects, both public and private.

Broad experience in document
preparation for public invitations
to tender for small and larger pro-
jects.

Fulfilment
of European building
codes and regulations



Product **range**



Solar shading systems

In order to respond to the requirements of each project, Bandalux offers a wide range of solar shading solutions that fit to the aesthetic and functional particularities of the building, which permits optimal sunlight management and contributes to energy saving.





Technical fabrics for specific solutions

The different technical fabrics with specific characteristics were **designed to fit to the particularities of each project**: light management in work areas, partial darkening or blackout, temperature regulation... Each case requires a study to determine the fabric that provides the greatest functional efficacy.





Box roller blind



Easy installation with self-supporting system

Perfect integration into the building facade

■ The fabric and blind mechanisms remain protected inside the box. Its metallic components with finishes according to Qualicoat for the option lacquered, make it rustproof for exterior application.

■ Installation in aid of side guides and self-supporting box.

■ Perfect position of the fabric in the intermediate profiles.





box range



o-box

Curved lines according to the architectural trends

- The recently developed fixing supports enable the compensation of small differences caused by installation and measuring.
- Bandalux banks on the design in line with the new architectural trends.





Premium Plus roller blind



Security and versatility

■ The Premium Plus system enables the fabrication of wide roller blinds with an excellent grade of functionality and precision.

■ Thanks to the utilisation of exterior guiding system, the fabric is better fastened, what avoids oscillations caused by the wind.



Atos roller blind



Robustness and functionality

- Possibility to cover large bay-windows with stainless steel mechanisms resistant to bad weather conditions.
- Robust supports designed to support the weight of wide blinds.



Rod guide support (wall or ceiling mounted)



Cable guide



Interior protection from the exterior

- Covers horizontal, vertical or inclined glass surfaces.
- The fabric and blind mechanisms remain protected inside the box, integrated itself into the conservatory's structure.



BSO exterior aluminium venetian blind



Thermal cover

■ Total integration into the facade like a second skin, what contributes to energy savings and to the reduction of the building thermal load.

■ High level of sunlight management thanks to the complete rotation of its slats in any angle.





Premium Plus roller blind



To the last detail

The interior installation of the Premium Plus system makes possible the covering of surfaces of up to 16m² using small supports.

■ Double blind system

Exclusive system designed for the integration of two blinds into the same mechanism, combining a decorative fabric with a technical one, one placed behind the other.

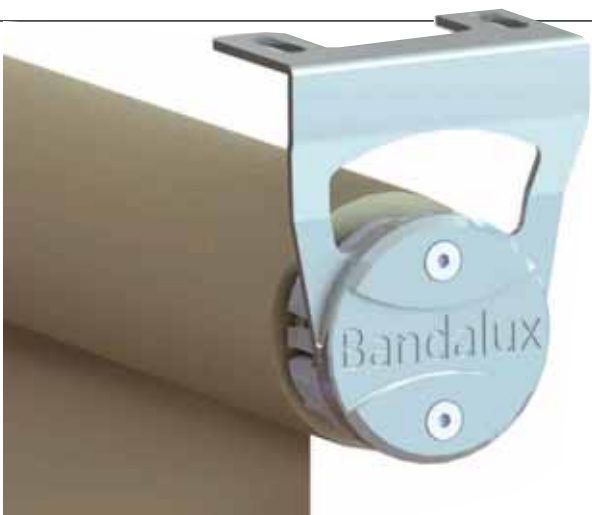
■ Decorative covers

Possibility to hide supports and screws with decorative covers from Basiks and Metalliks colour ranges.





Atos roller blind



The major roller blind

- Covers surfaces of up to 33m² with a sole command.
- Ideal system to cover wide glass surfaces inside public buildings such as airports, hotels, museum and spaces where the contemporary architecture offers large light wells.



Box roller blind



o-box

Design and innovation

■ The elegant and vanguard shapes of the new o-Box make it the ideal system for installation in spaces with contemporary design.





box range



Architectural integration

■ The straight lines of the box make it adaptable to any type of environment and decoration, merging aesthetic finishes with the maximum efficacy in solar protection.





Deco vertical blind



Perfect sunlight management

■ The slat orientation, with a maximal rotation of 180° on its vertical axis, enables the sunlight entry management, for whatever sun rays position.

Options: The curved headrail makes possible its installation in spaces with irregular walls, whereas the inclined rail perfectly fits into sloping ceilings.



Omega aluminium venetian blind



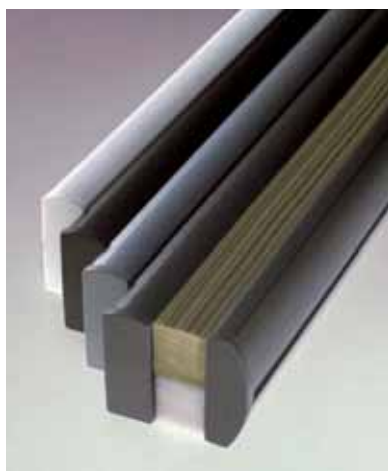
Simplicity and functionality

- Head and end cap made of aluminium, that brings lightness to the structure.
- Refined and simple lines with a large chromatic range for an adaptation to any type of furniture and environment.





Imagine pleated blind



A wide range of solutions

- Multitude of applications of the pleated blind thanks to its numerous adaptation possibilities on windows with irregular shapes: special trims, circular, trapezoidal and triangular shapes...
- Availability of technical fabric for specific solutions: **Wetex** (with waterproof coating), **Ecovision** (halogen-free), **Nacarade** (with a pearly finish that avoids sun rays filtering and reflections on TV or PC screens...).



Zen japanese panel



Matik traditional curtain



Precision and silence

- The superimposed fabric layers prevent gaps where the light can filter through, thus increasing the shading protection function.
- The different fabric panels that constitute the Japanese blinds can move in different ways: lateral, central or at both ends.

The polyvalent elegance

- With the use of blackout and fire retardant fabrics, which fulfil the public building regulations, it becomes a system suitable for its installation in theatres, meeting rooms, convention centres, hotel rooms...



Specific solutions

► Caja Madrid Tower

Norman Foster

*50mm perforated aluminium Venetian blinds with guides and motorised.
Interior installation.*

Development of systems and products
for specific solutions, inspired by
customers requests.

▼ Viana do Castelo
Auditorium Library

Álvaro Siza Vieira

*Atos motorised roller blinds.
Interior installation.*



Large-scale projects



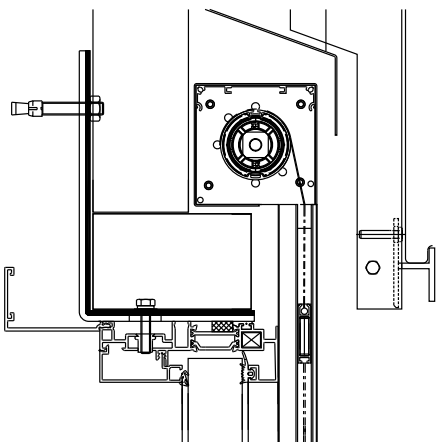
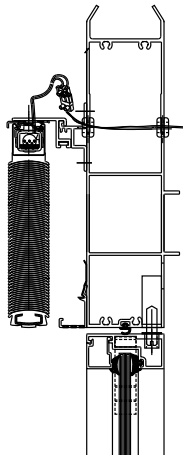
◀ First Tower

**Khon Pedersen Fox Ass.
& Sabout Rouit Ass.**
*Premium Plus roller blinds.
Interior installation.*



▶ Iberdrola Tower

César Pelli
*Motorised 25mm aluminium roller
blinds. Integrated installation.*



We are backed up by more than 20 years of experience in development and manufacturing of solar shading systems

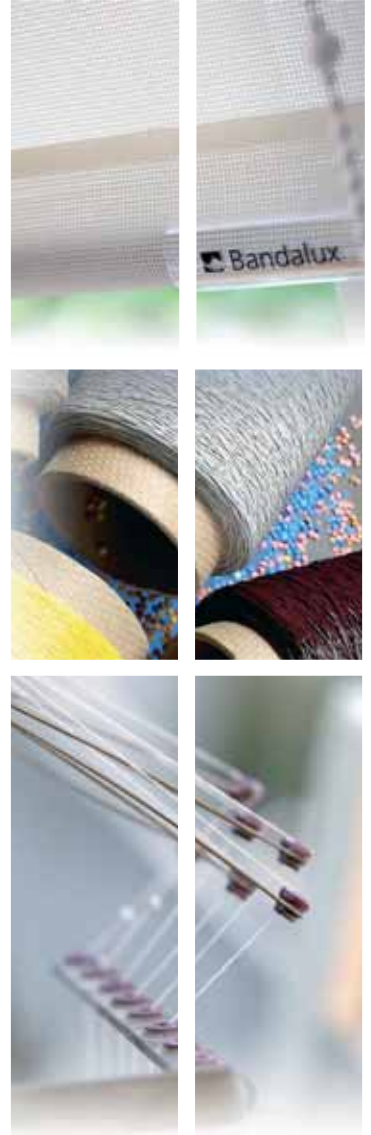
■ Prestigious architects and professionals have relied on Bandalux including our solutions in their projects, that made possible the presence of our products in more than 1.000 reference buildings.



a step forward in fashionable blinds

Bandalux

- Manufacturing of **made-to-measure blinds**, technical and decorative solutions for the home and contract sectors.
- Three European production plants with **state-of-the-art machinery** and ongoing investment in R&D.
- **More than 15 showrooms** and training centres in the main European cities.
- **Innovative products designed** to provide total comfort both inside and outside.
- Constant investment in resources geared towards complying with **quality and environmental regulations** of the market.




- The union of 3 leading companies in the sector: **Vertisol, Vertilux and Bandalux.**
- Yarn and fabric manufacturing, component development, and fabrication of ready-to-install blinds.
- **Vertical organisation** that enables an exhaustive control of all planning, manufacturing and commercialisation processes.
- Synergies that contributes to the **constant evolution and the continuous improvement.**
- Business group **present in more than 75 countries.**
- **More than 1.000.000 blinds** yearly made.

International certification and labels

5
WARRANTY
YEARS



Concerning to the fire retardant
 UNE EN 13773 · EN 13773
NF P 92-503 · DIN 4102
BS 5867:2:80 · NFPA 701



eco  **codice®**



made in
eu





Reference buildings

Spain

Alhambra Building (Grupo Santander), Madrid
Ambar Tower, Madrid
Anibal Building, Barcelona
Apia XXI, Cantabria
Archaeological Museum, Alicante
Aragon Autonomous Government, Zaragoza
Aragon Blood Bank, Zaragoza
Aragon Government, Zaragoza
Automotive Intelligence Center (AIC), Vizcaya
Axa Building, Barcelona
Barceló Hotel, Almería
Bilbao Port Authority Tower, Vizcaya
C.S. Military Hospital Pº Zorrilla, Valladolid
Caixa Geral, Madrid
Caja Madrid Tower, Madrid
Caja Madrid, Barcelona
Castile and Leon Parliament, Valladolid
Castillo del Gorraiz Hotel, Navarre
Catalonia Hotel, Passeig de Gracia, Barcelona
City Park, Barcelona
Congress Centre, Alicante
Construcciones Ortiz, Madrid
Ebro River Museum, Zaragoza
Endesa Head Offices, Madrid
Erdisu - Building, Granada
ESADE, Barcelona
Europe Building, Valencia
Euskatel Telefonía, Vizcaya
Ferrovial Head Offices, Madrid
Galicia Government, Pontevedra
Galicia Parliament, La Coruña
Health Ministry, Vizcaya
High Performance Centre, Huesca
Iberdrola Tower, Vizcaya
Iberia Aventis, Madrid
ING Team, Vizcaya
Joaquín Rodrigo Music Higher Conservatory, Valencia
Justice City, Alicante
Kursaal Theatre, Barcelona
La Finca Business Park, Madrid
La Salle Campus, Madrid
La Unión y el Fénix, Madrid
Labour University, Asturias
LKS Building, Guipuzcoa
Mahón Hospital, Balearic Islands
Mango, Barcelona
María Maliner Municipal Public Library, Madrid
Mataró General Hospital, Barcelona
Medicine School, Valencia
Meliá Hotel, Barcelona
Montepríncipe Building (Grupo Santander), Madrid
Mutua Intercomarcal Building, Barcelona
Nevada Palace Hotel, Granada
Nike, Barcelona
Ophthalmological Centre, Valencia
Palau de la Música Catalana, Barcelona
Paraninfo Building, Zaragoza
Pedro de Mena Museum, Malaga
Picasso Museum, Malaga
Plaza del Ejército Health Centre, Valladolid
Plaza Moyúa Building, Vizcaya
Princesa Letizia Auditorium, Asturias
Princess Hotel, Barcelona
Quirón Hospital, Malaga
Reus Teaching Hospital, Tarragona
Ricardo Tormo Circuit, Valencia
Rovira i Virgili University, Tarragona
San Jorge University, Zaragoza
San Miguel de los Reyes Library, Valencia
Sant Boi Hospital, Barcelona
Sea Port, Tarragona
Son Dureta Hospital, Balearic Islands
Teknon Medical Centre, Barcelona
Telefónica Móvil, Madrid
Telefónica ZeroZero Tower, Barcelona
Torre Barcelona Building, Barcelona
Tourism Board, Málaga
Tyrsa, Valencia
Vienna and Dublin Buildings, Barcelona
Vigo University Campus Pontevedra
Vigo University, Pontevedra
Vueling Building, Barcelona
Water Tower, Zaragoza
Wellness Hotel, Valencia
Works Clerks College (COATM), Madrid
Zaragoza City Hall, Zaragoza
Zaragoza Conference Center, Zaragoza

France

Axa, Paris
Axe Avenue - Grand Axe, Paris
Bagneux Porte Sud Cogedim, Paris
Bouille School, Paris
Canceropole, Toulouse
Campus, Montpellier
Council, Bordeaux
Council, La Roche Sur Yon
Courcellor Tower, Paris
Credit Agricole Branch, Nice
Crystalis, Paris
Descours & Cabaud head offices, Lyon
Dordogne interconsular pole, Périgueux
EDF Wood Park, Toulouse
Espace Radio, Lyon
Finance center, Lyon
Fire station, Paris
First Tower, Paris
Galilee Building, Toulouse
Haute Couture center, Rennes
Hémodialyse, Bordeaux
Hôtel de Région, Lyon
HSBC Branch, Nantes
Iliade Massy, Paris
La Salle des Marchés, Paris
Le Balthazar, Paris
Le Bon Marché, Paris
Le Cinetic, Paris
Le Delage, Paris
Le Flavia, Paris
Le Progrès, Lyon
Le Spallis, Paris
L'Olympe, Paris
Millenium Park, Paris
Montpellier Hospital, Montpellier
Moulin Noir, Paris
Olivier de Serré Tower, Paris
Police Academy, Lyon
Rest. Jules Verne (Eiffel Tower), Paris
Rive de Seine, Paris
River Ouest, Paris
Rossignol head offices, Lyon
Synergis, Paris
Syrius, Paris

Belgium

BASF, Waterloo
Crystal City, Brussels
Ellipse Building, Brussels
French Embassy, Brussels
Mobistar, Brussels
Police Academy, Mons
Procter & Gamble, Brussels
Reuters, Brussels
Tabaknatie, Namur
Toyota, Cuemes
UNESCO, Auderghem

Netherlands

Bakker Barendrecht, Ridderkerk
KPMG, Amsterdam
Mitsubishi, Amsterdam

Italy

Area di Ricerca, Trieste
Ferrari, Milan
Trieste Airport, Trieste

Portugal

Auditorium Library, Viana do Castelo
Escritorios de Tejo, Lisboa
Grupo Totta, Lisboa

United Kingdom

BECAD Hospital, London
Hurlston Golf Club, Lancashire
US3 Tower, Liverpool

Iceland

Landsbanki, Reykjavik
Price Water House Coopers, Reykjavik

Trinidad and Tobago

Waterfront International,
Port of Spain

Greece

Hilton Hotel, Athens

Ireland

Gran Canal Hotel, Dublin

Morocco

Plaza Hotel, Casablanca

BENELUX · FRANCE · ITALY · PORTUGAL · SPAIN



BLINDS
AND SOLAR SHADING
SYSTEMS

