

ABS-Lock[®] X-SW-6

LX-SW-6-XXX

MoA 272-01



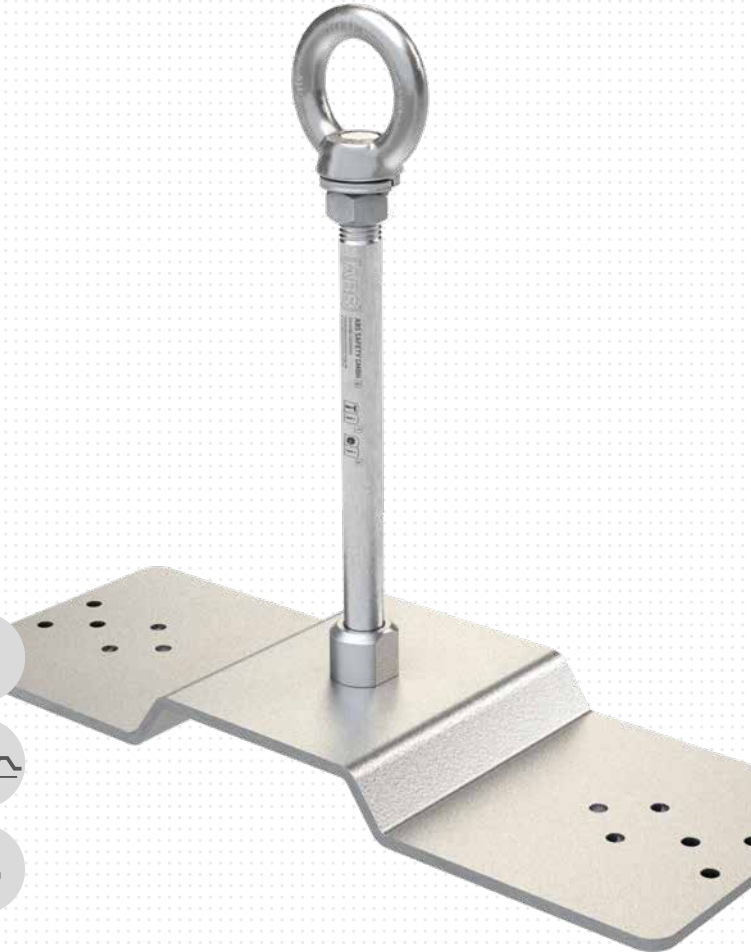
DIN CEN/TS
16415:2017



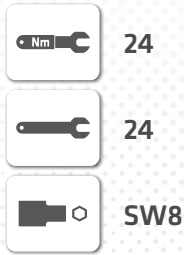
DIN EN 795:
2012, A



3



Werkzeuge | Tools



Sicherheitshinweise | Safety instructions



- DE** Montageanleitung beachten (1) und Sicherheitshinweise beachten (2).
- EN** Comply with the installation manual (1) and Comply with the safety instructions (2).
- FR** Respecter la notice de montage (1) and Respecter les consignes de sécurité (2).
- NL** Montagehandleiding in acht nemen (1) and Veiligheidsinstructies in acht nemen (2).
- BGR** Спазвайте инструкциите за монтаж (1) and Спазвайте инструкциите за безопасност (2).
- DK** Følg monteringsvejledningen (1) and Følg sikkerhedshenvisningerne (2).
- ET** järgida montaažijuhendit (1) and järgida ohutusjuhiseid (2).
- FI** Noudata asennusohjeita (1) and Noudata turvallisuusohjeita (2).
- IT** Rispettare le istruzioni di montaggio (1) and Rispettare le istruzioni di sicurezza (2).
- PL** Przestrzegać zaleceń instrukcji montażu (1) and Przestrzegać zasad bezpieczeństwa (2).
- SK** Dodržujte návod na montáž (1) and Dodržujte bezpečnostné pokyny (2).
- SL** Sledite navodilom za namestitve (1) and Sledite varnostnim navodilom (2).
- ES** Observar las instrucciones de montaje (1) and Observar las indicaciones de seguridad (2).
- CS** Dodržujte návod k montáži (1) and Dodržujte bezpečnostní pokyny (2).
- HU** Vegye figyelembe az összeszerelési útmutatót (1) and Vegye figyelembe a biztonsági utasításokat (2).

Kontakte | Contact persons

Vertrieb & Technische Beratung
Sales & Technical Support
+49 (0) 28 32 - 972 81 - 0
vertrieb@absturzschutz.de

Schulung
Training
+49 (0) 28 32 - 972 81 - 148
schulung@absturzschutz.de

Montagevorbereitung
Assembly
+49 (0) 28 32 - 972 81 - 260
service@absturzschutz.de

Mustertypenschild | Sample label

[ABS]

ABS SAFETY GMBH 3

Kevelaer, Germany
info@absturzschutz.de
www.absturzschutz.de

Mustertypenschild /
Sample only

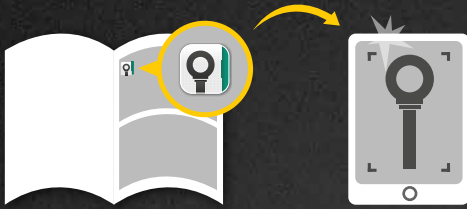
Chargennummer /
Batch number

<table style="width: 100%; border-collapse: collapse;"> <tr> <td style="width: 30px; border: 1px solid black; text-align: center;">6</td> <td style="border: 1px solid black;">Normen / Standards</td> <td style="width: 30px; border: 1px solid black;"></td> <td style="width: 30px; border: 1px solid black;"></td> </tr> <tr> <td style="border: 1px solid black; text-align: center;">7</td> <td style="border: 1px solid black;">Max. Nutzer gleichzeitig (DIN EN 795:2012) Max. No. of simultaneous users</td> <td style="border: 1px solid black;"></td> <td style="border: 1px solid black;"></td> </tr> <tr> <td style="border: 1px solid black; text-align: center;">11</td> <td style="border: 1px solid black;">Modellnummer / Model number</td> <td style="border: 1px solid black;"></td> <td style="border: 1px solid black;"></td> </tr> <tr> <td style="border: 1px solid black; text-align: center;"> </td> <td style="border: 1px solid black;">-</td> <td style="border: 1px solid black;"></td> <td style="border: 1px solid black;"></td> </tr> <tr> <td style="border: 1px solid black; text-align: center;"> </td> <td style="border: 1px solid black;">-</td> <td style="border: 1px solid black;"></td> <td style="border: 1px solid black;"></td> </tr> <tr> <td style="border: 1px solid black; text-align: center;"> </td> <td style="border: 1px solid black;">-</td> <td style="border: 1px solid black;"></td> <td style="border: 1px solid black;"></td> </tr> </table>	6	Normen / Standards			7	Max. Nutzer gleichzeitig (DIN EN 795:2012) Max. No. of simultaneous users			11	Modellnummer / Model number				-				-				-			<table style="width: 100%; border-collapse: collapse;"> <tr> <td style="width: 30px; border: 1px solid black; text-align: center;">8</td> <td style="border: 1px solid black; text-align: center;">CE</td> <td style="width: 30px; border: 1px solid black; text-align: center;">9</td> <td style="border: 1px solid black; text-align: center;">10</td> </tr> <tr> <td style="border: 1px solid black; text-align: center;"> </td> <td style="border: 1px solid black; text-align: center;">0158</td> <td style="border: 1px solid black; text-align: center;"> </td> <td style="border: 1px solid black; text-align: center;"> </td> </tr> <tr> <td style="border: 1px solid black; text-align: center;"> </td> <td style="border: 1px solid black; text-align: center;">Z-14.9-668</td> <td style="border: 1px solid black; text-align: center;"> </td> <td style="border: 1px solid black; text-align: center;"> </td> </tr> <tr> <td style="border: 1px solid black; text-align: center;"> </td> <td style="border: 1px solid black; text-align: center;"> </td> <td style="border: 1px solid black; text-align: center;"> </td> <td style="border: 1px solid black; text-align: center;"> </td> </tr> <tr> <td style="border: 1px solid black; text-align: center;"> </td> <td style="border: 1px solid black; text-align: center;"> </td> <td style="border: 1px solid black; text-align: center;"> </td> <td style="border: 1px solid black; text-align: center;"> </td> </tr> </table>	8	CE	9	10		0158				Z-14.9-668										
6	Normen / Standards																																												
7	Max. Nutzer gleichzeitig (DIN EN 795:2012) Max. No. of simultaneous users																																												
11	Modellnummer / Model number																																												
	-																																												
	-																																												
	-																																												
8	CE	9	10																																										
	0158																																												
	Z-14.9-668																																												

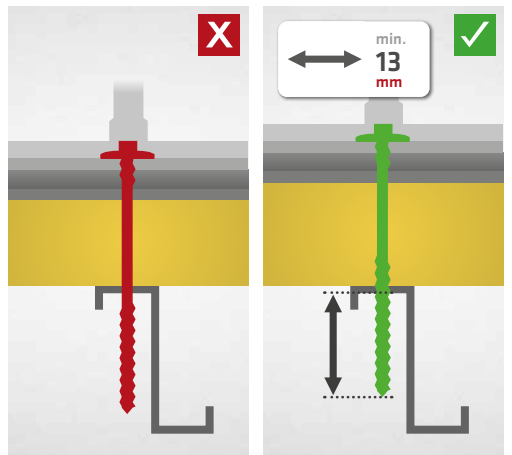
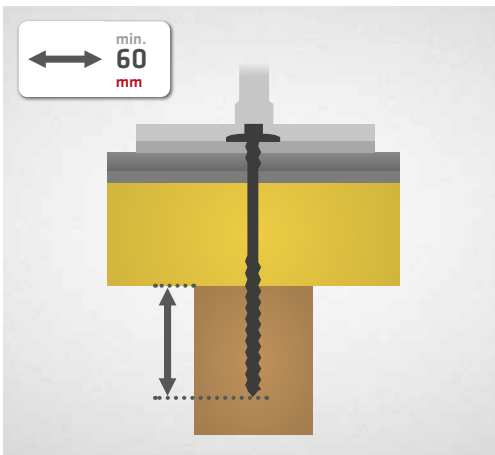
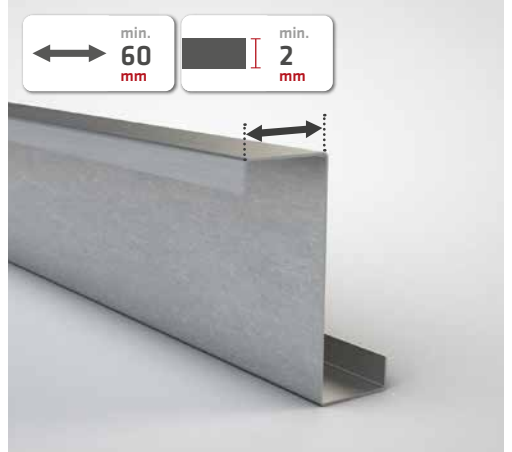
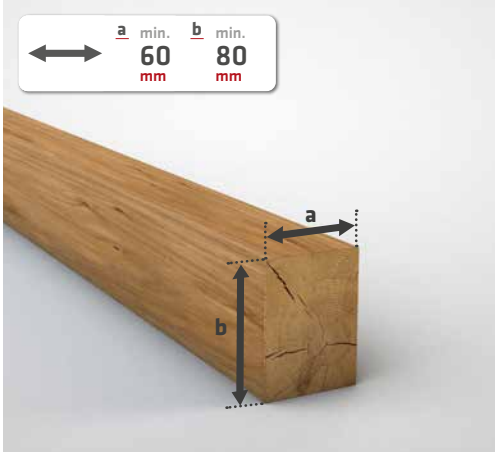
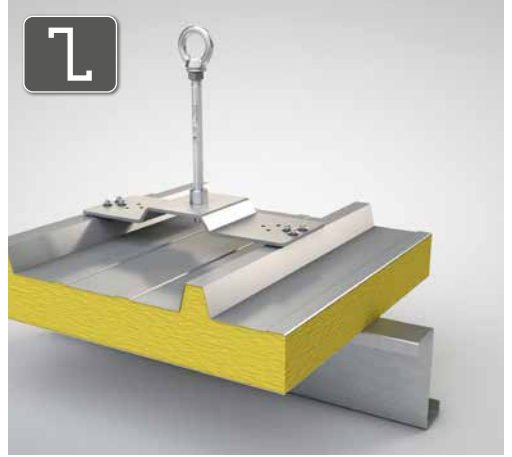


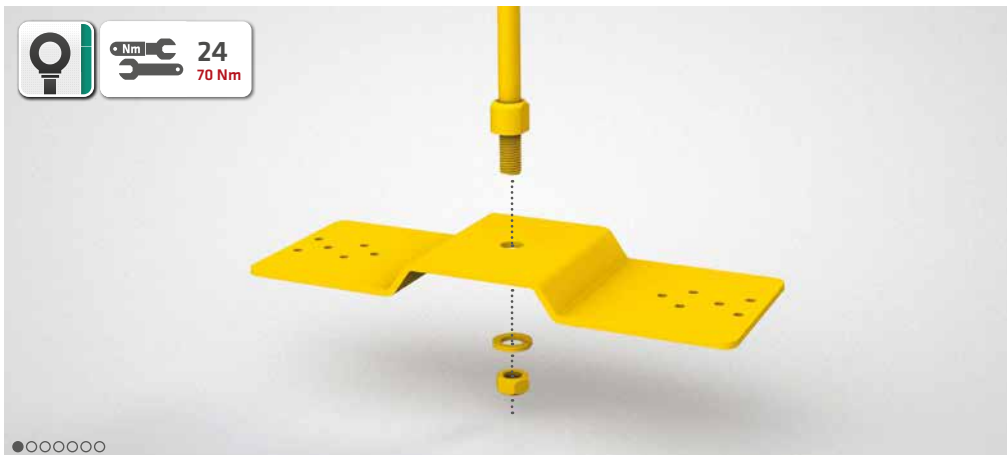
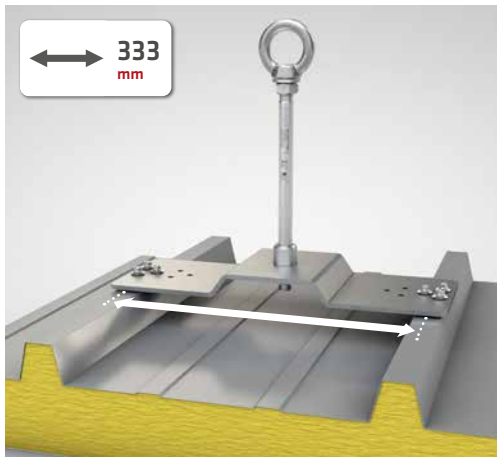
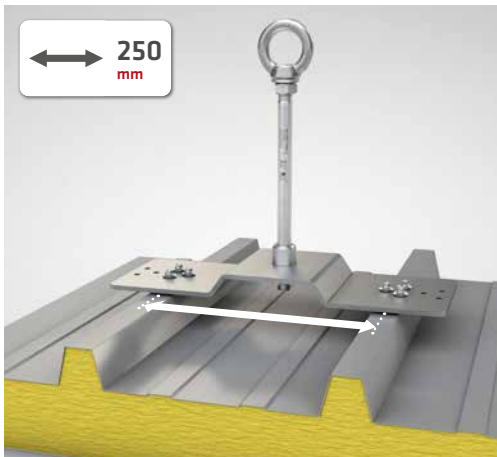
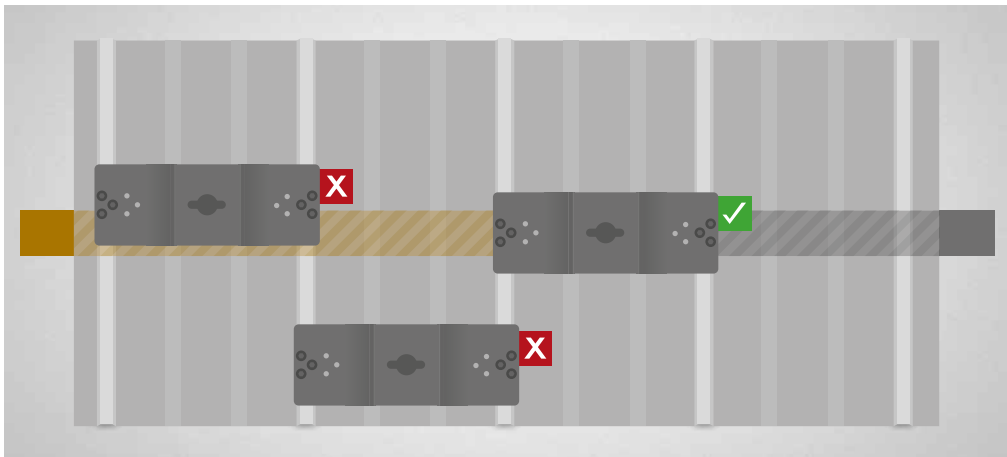
Montageschritte dokumentieren

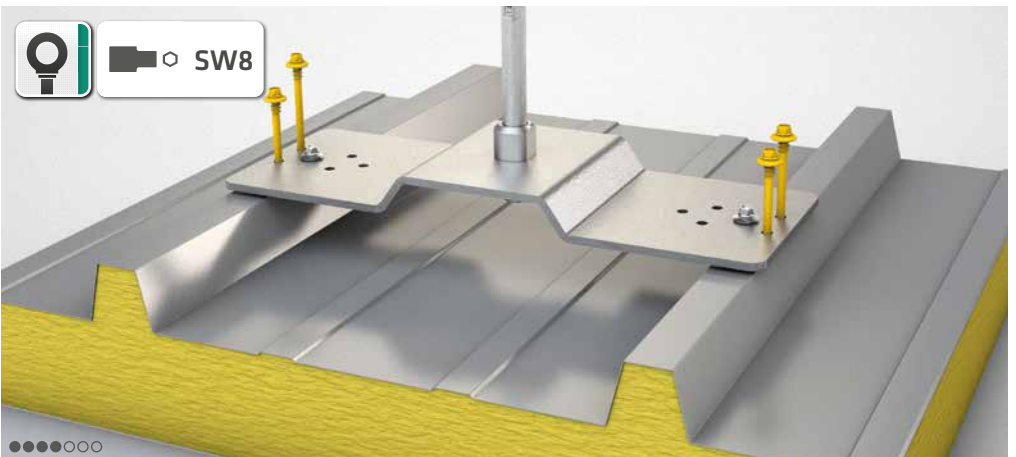
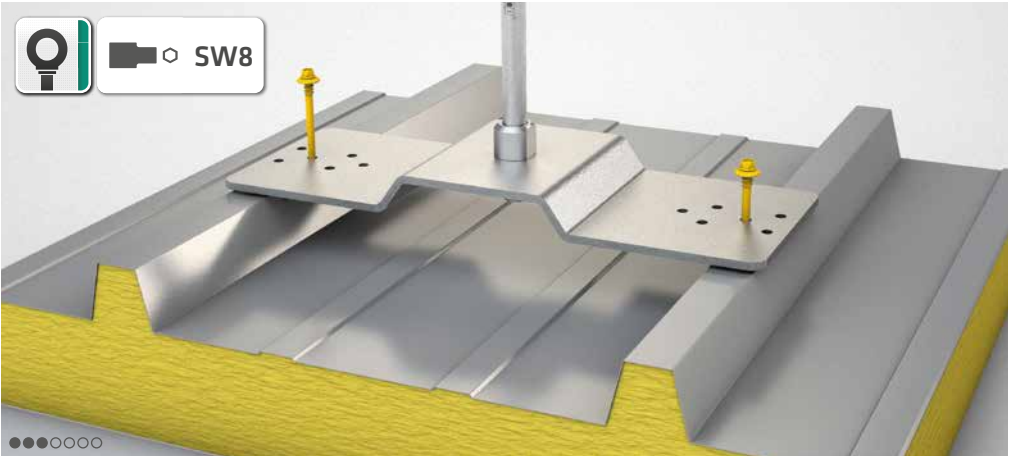
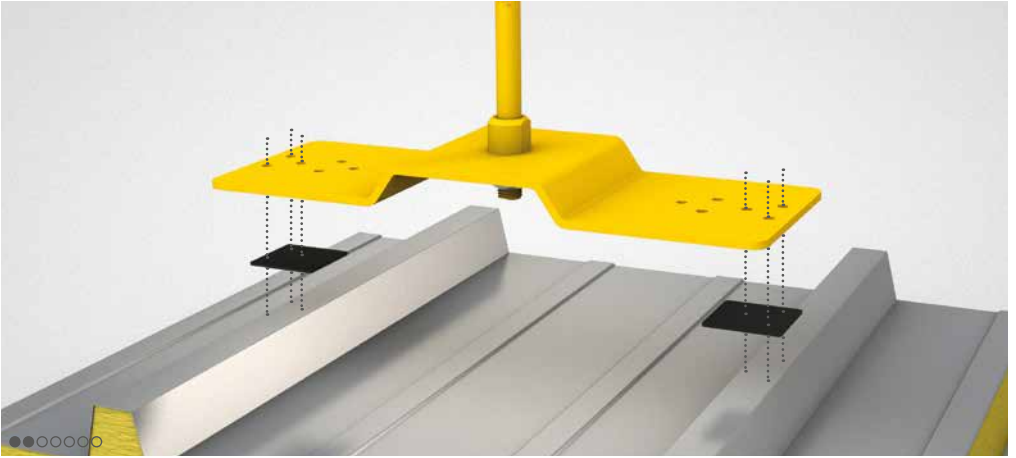
Document assembly step

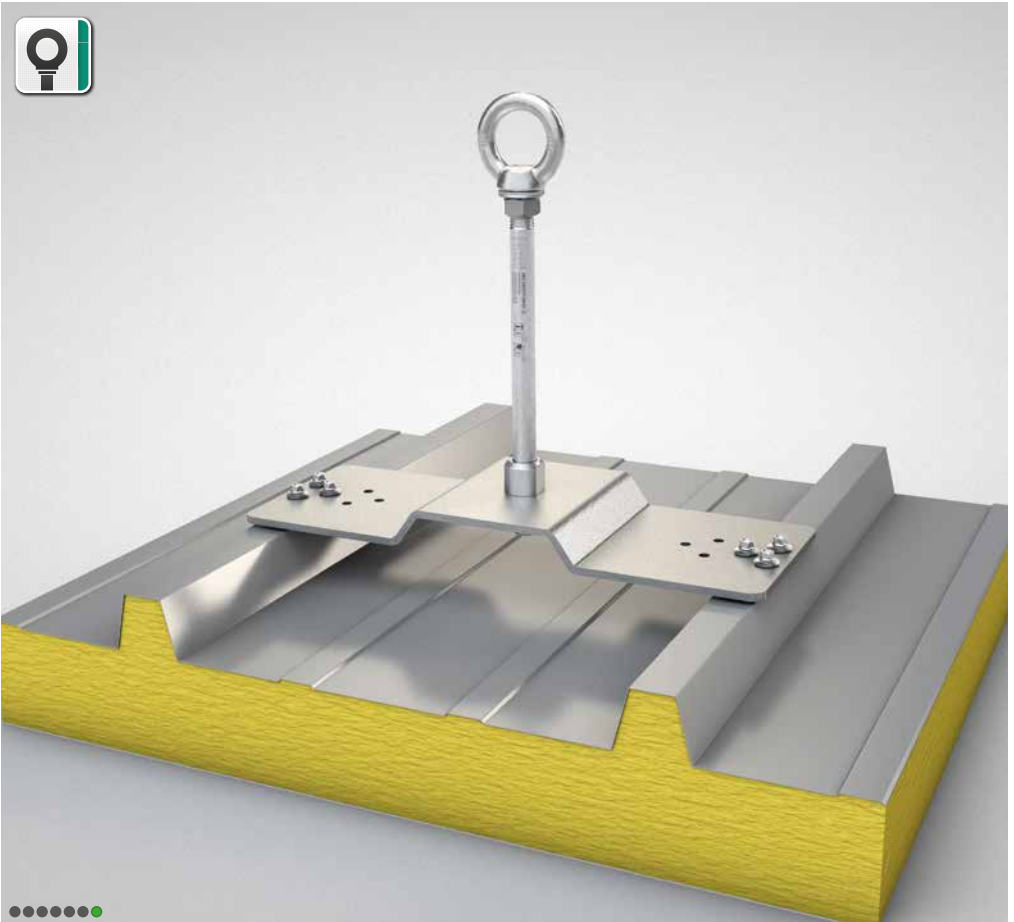
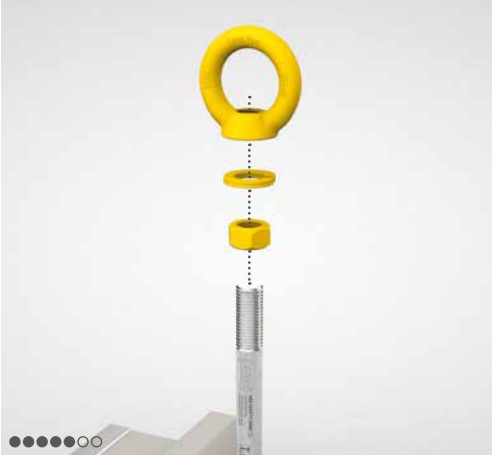


abs.lock-book.com









ALWAYS ON TOP!

ABS Safety GmbH

Gewerbering 3
D-47623 Kevelaer
Germany

Tel.: +49 28 32 972 81 - 0
Fax: +49 28 32 972 81 - 285

info@absturzsicung.de

 www.absturzsicung.de

 .de/en

 .de/fr

 .de/nl

RS 7, Juni 2020



[instagram.com/abssafety](https://www.instagram.com/abssafety)



[youtube.com/abssafetygmbh](https://www.youtube.com/abssafetygmbh)



[facebook.com/ABS.Safety](https://www.facebook.com/ABS.Safety)