

CAD-Bibliothek  
CAD Library

---

**Stahl-Systeme**  
Fenstersysteme

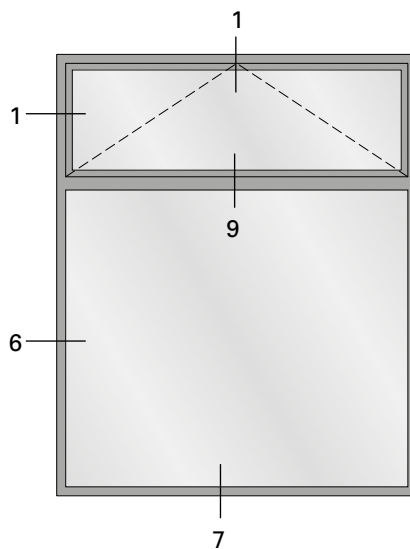
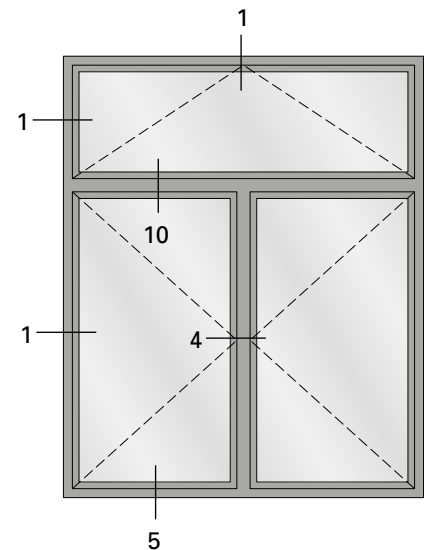
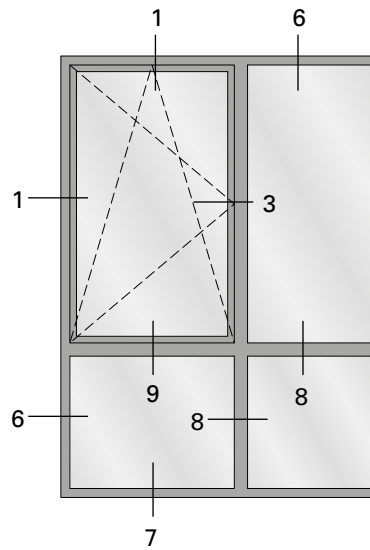
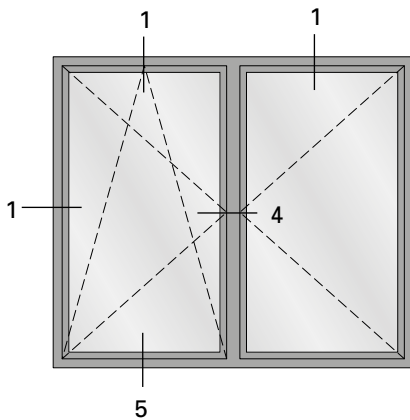
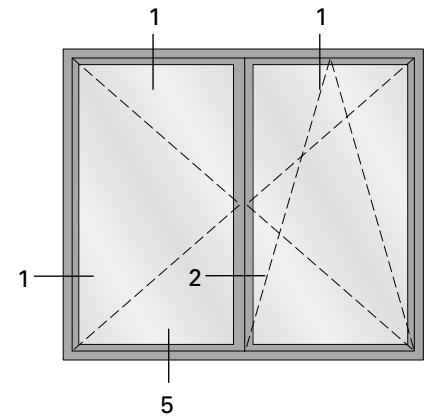
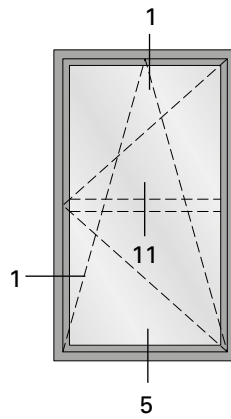
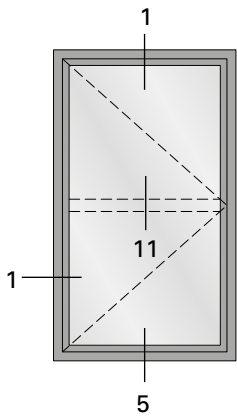
## **Janisol – Einbruchemmung**

---

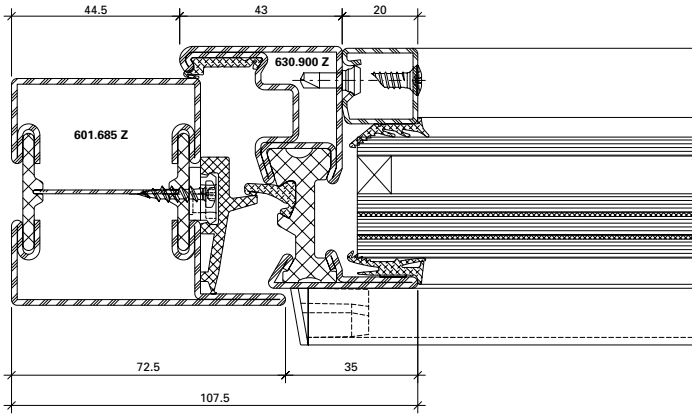
**Steel Systems**  
Window Systems

## **Janisol – Burglar Resistance**

---



1.0

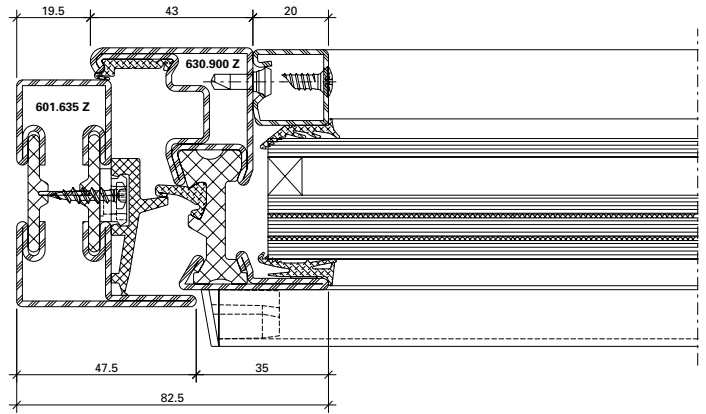


DXF

DWG

11-0302-C-001

1.1

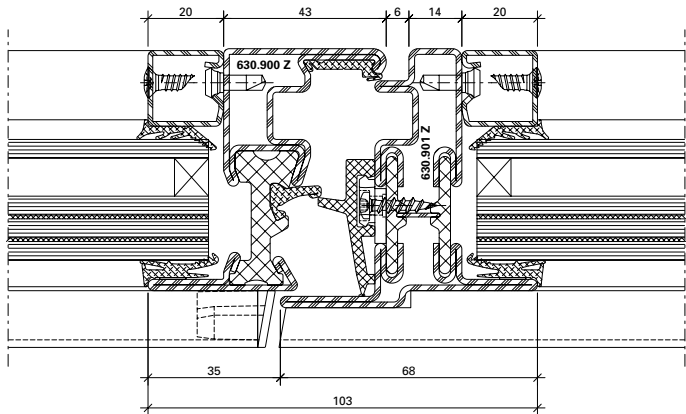


DXF

DWG

11-0302-C-002

2.0

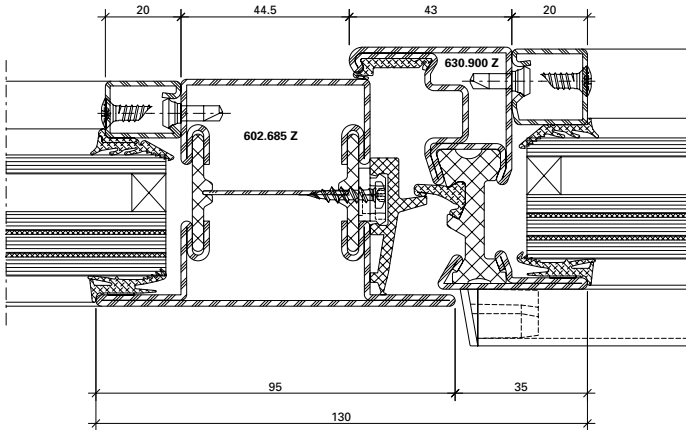


DXF

DWG

11-0302-C-007

3.0

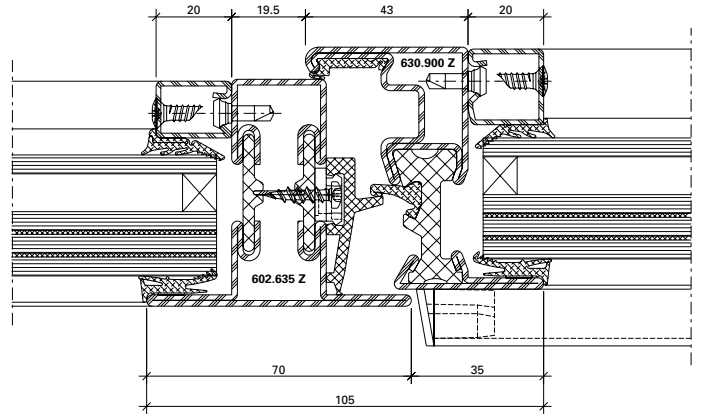


DXF

DWG

11-0302-C-003

3.1

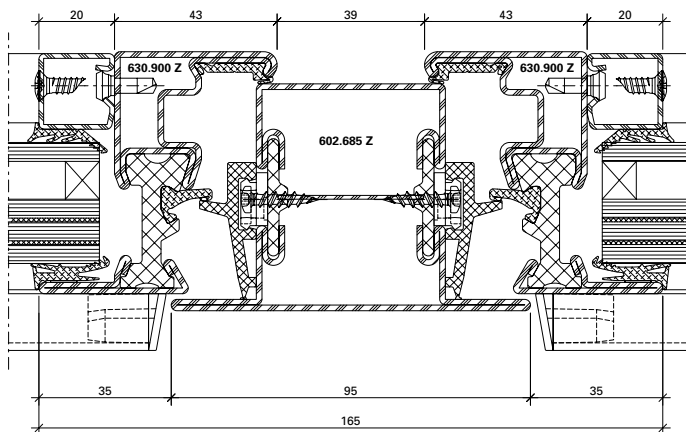


DXF

DWG

11-0302-C-004

4.0

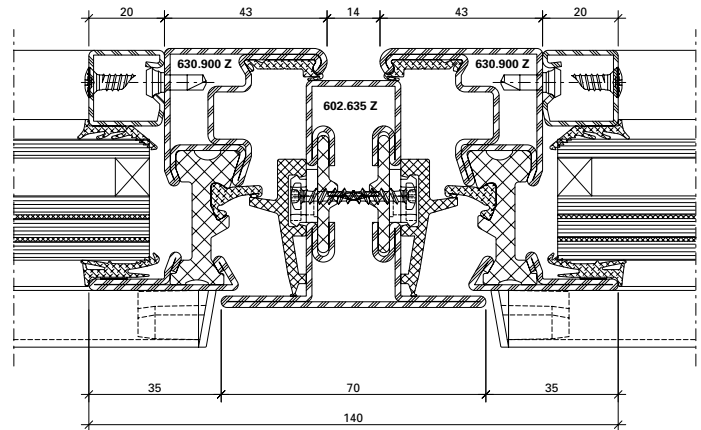


DXF

DWG

11-0302-C-005

4.1

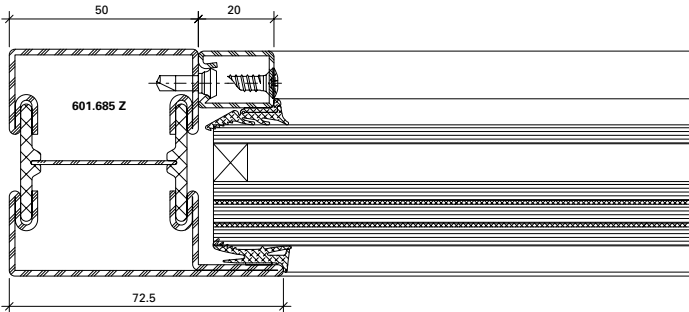


DXF

DWG

11-0302-C-006

6.0

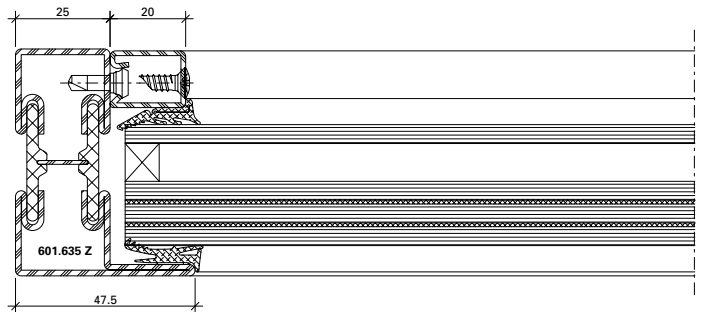


DXF

DWG

11-0302-C-012

6.1

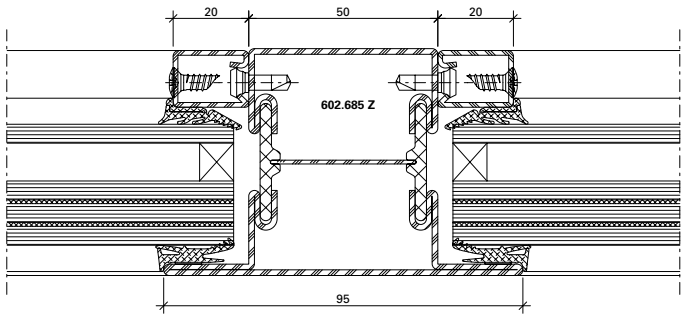


DXF

DWG

11-0302-C-013

8.0

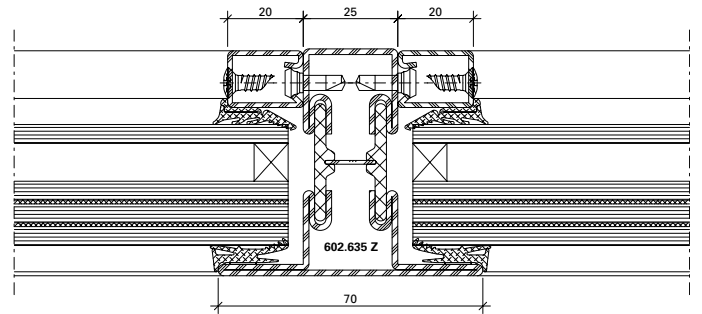


DXF

DWG

11-0302-C-014

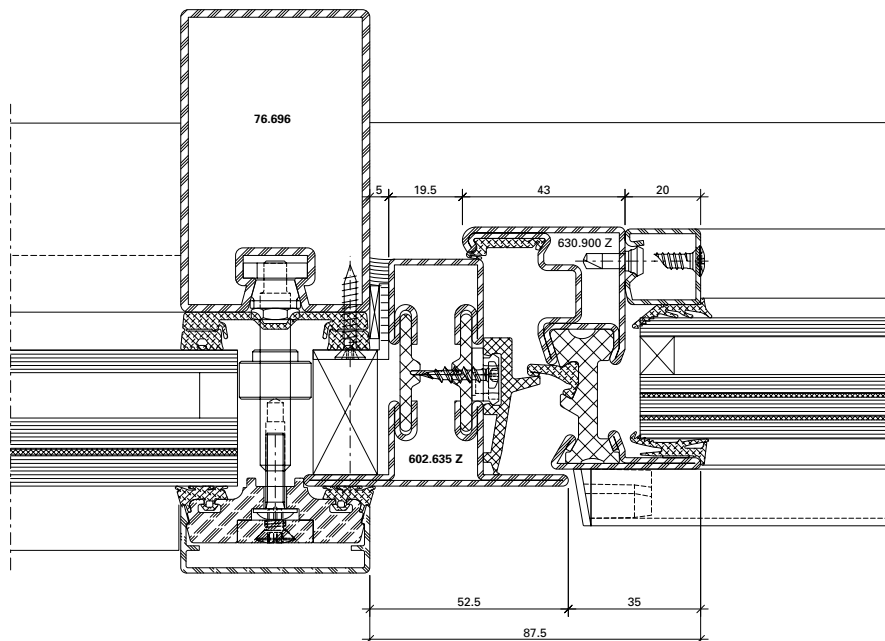
8.1



DXF

DWG

11-0302-C-015

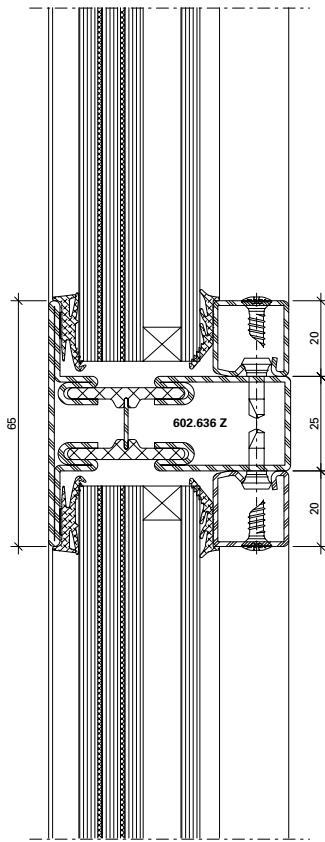


DXF

DWG

53-0502-A-001

11.0

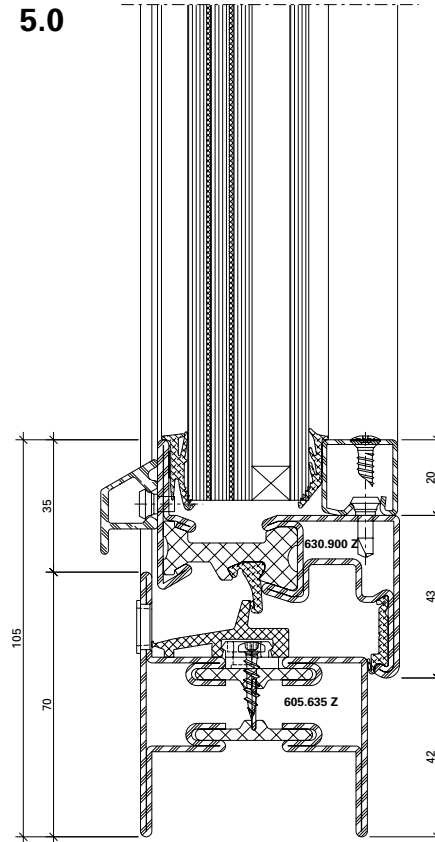


11-0302-C-020

DWG

DXF

5.0

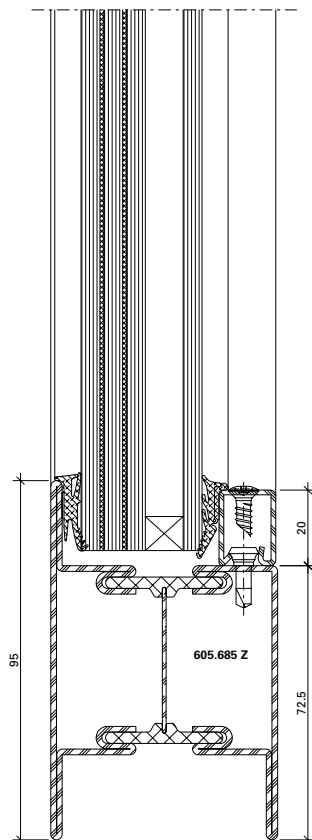


11-0302-C-009

DWG

DXF

7.0

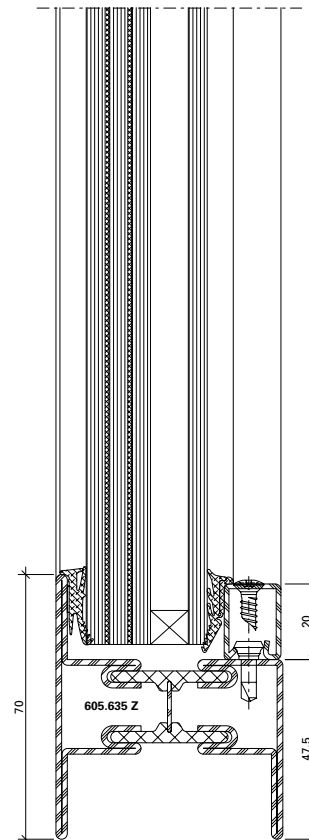


11-0302-C-010

DWG

DXF

7.1

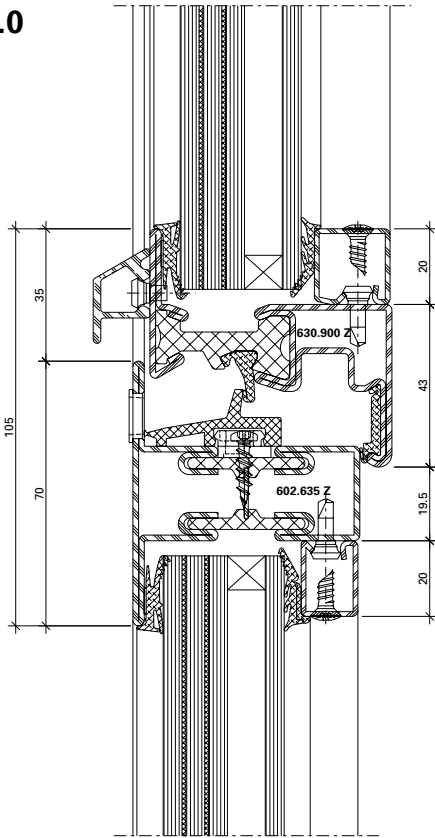


11-0302-C-011

DWG

DXF

9.0

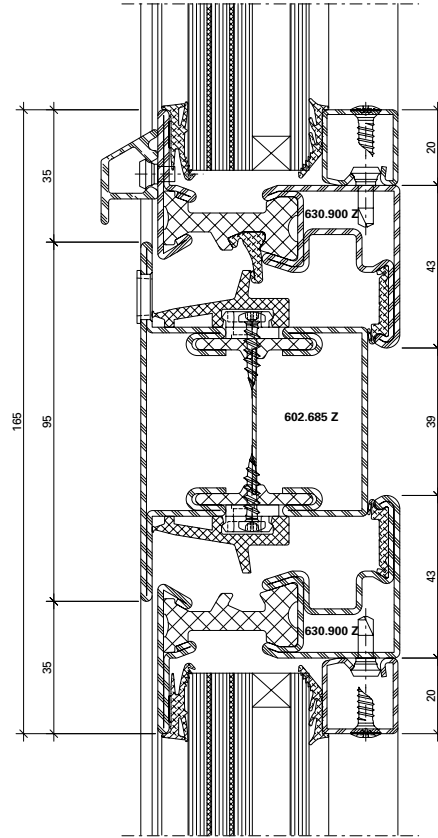


11-0302-C-019

DWG

DXF

10.0

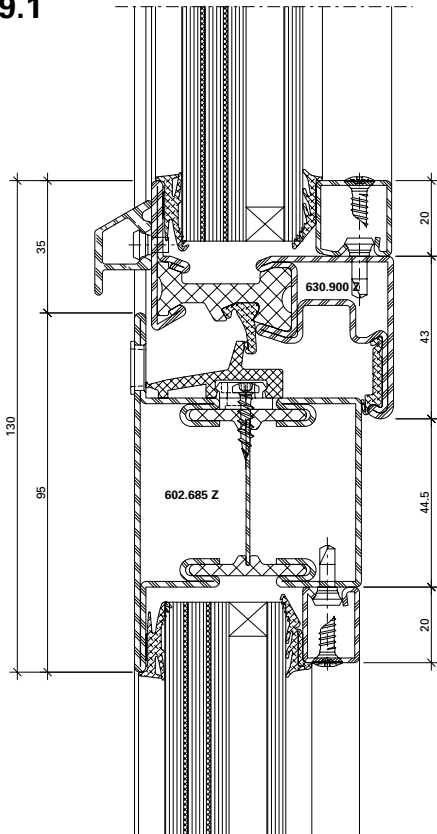


11-0302-C-018

DWG

DXF

9.1

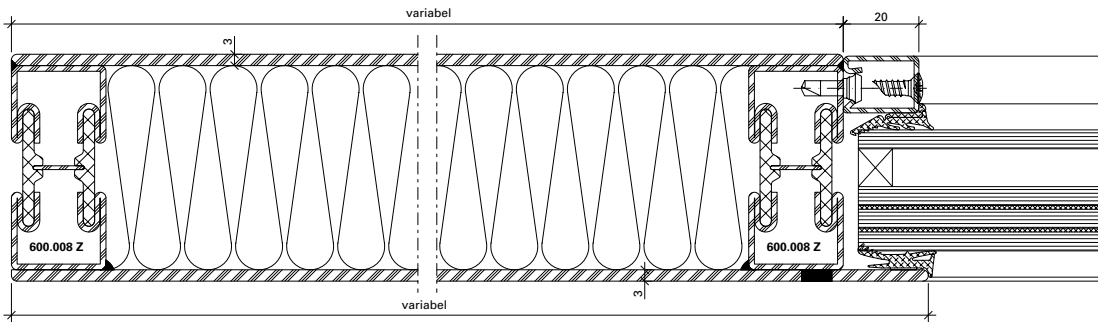


11-0302-C-016

DWG

DXF

## 6.2

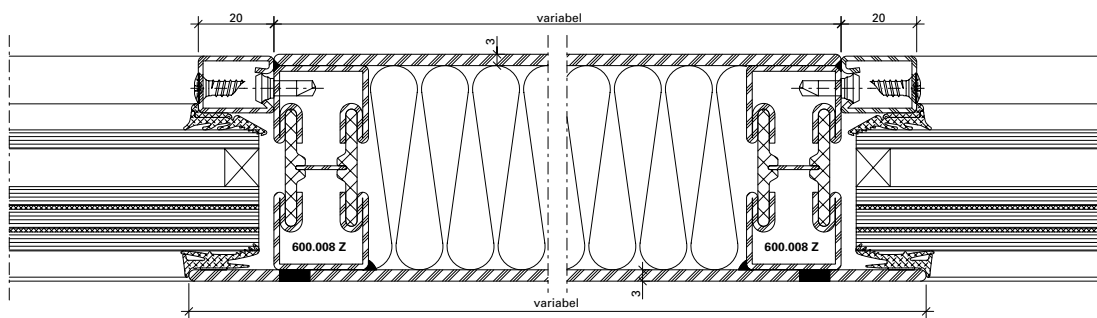


DXF

DWG

11-0302-C-021

## 8.2

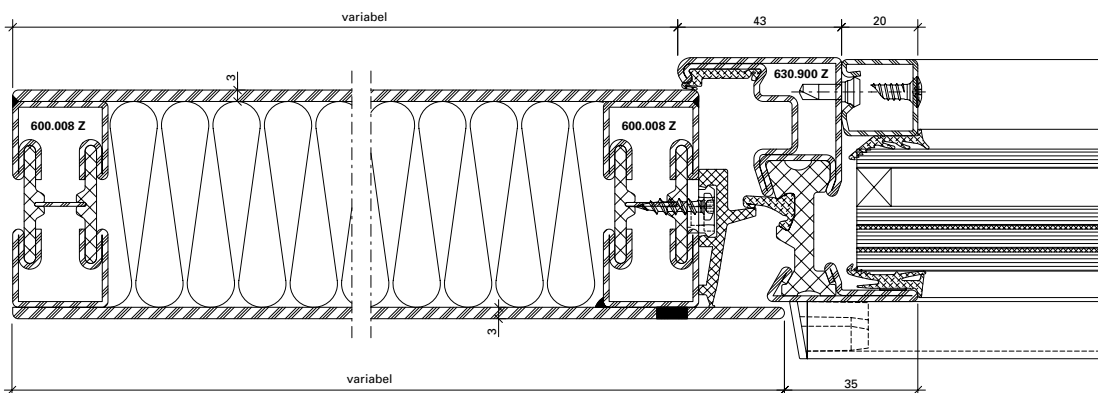


DXF

DWG

11-0302-C-022

## 1.2



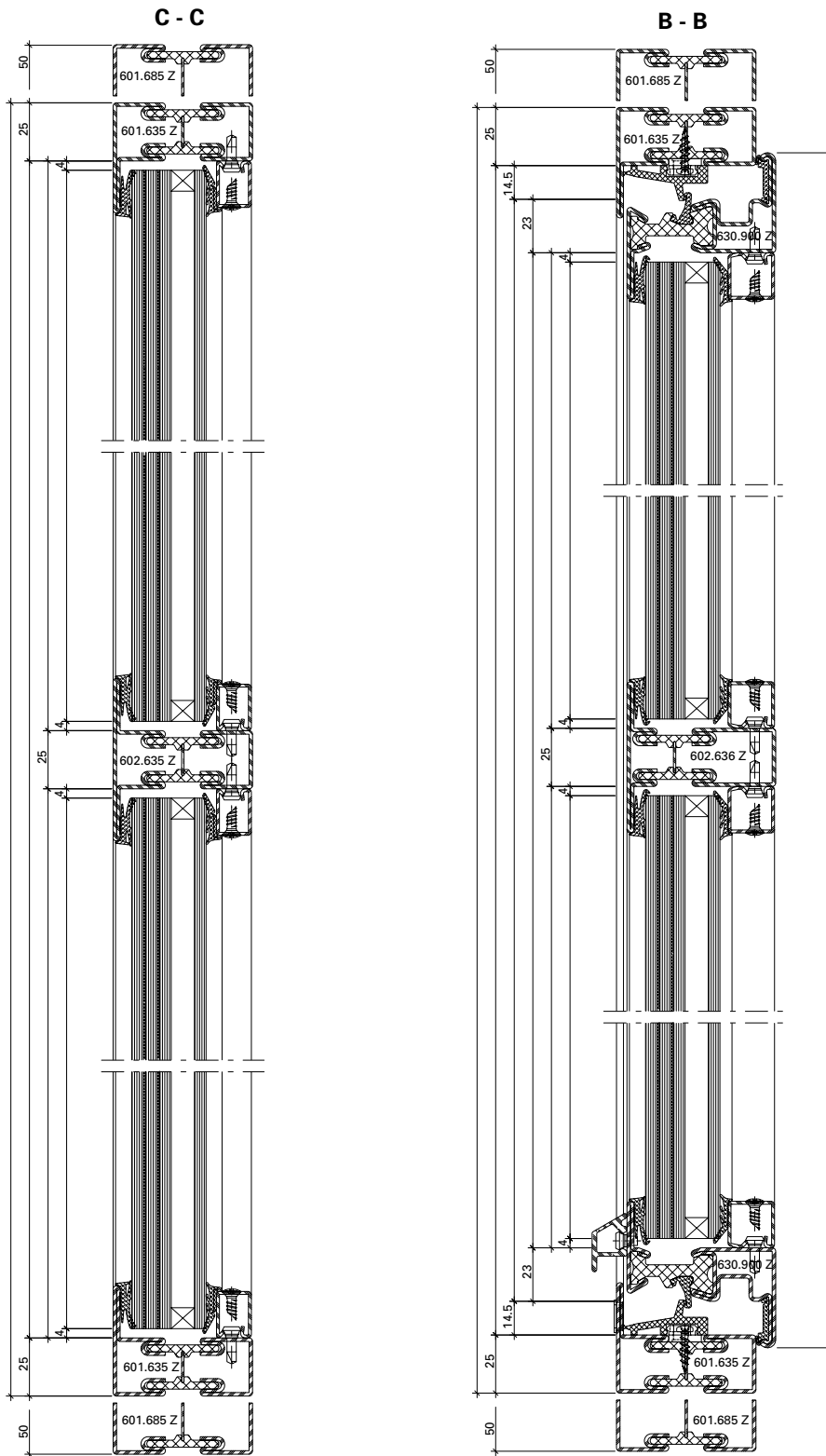
DXF

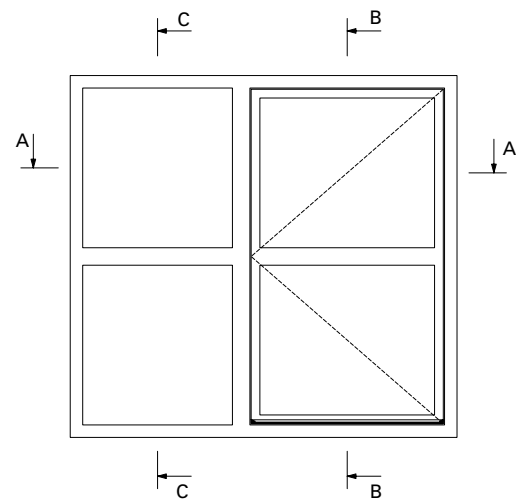
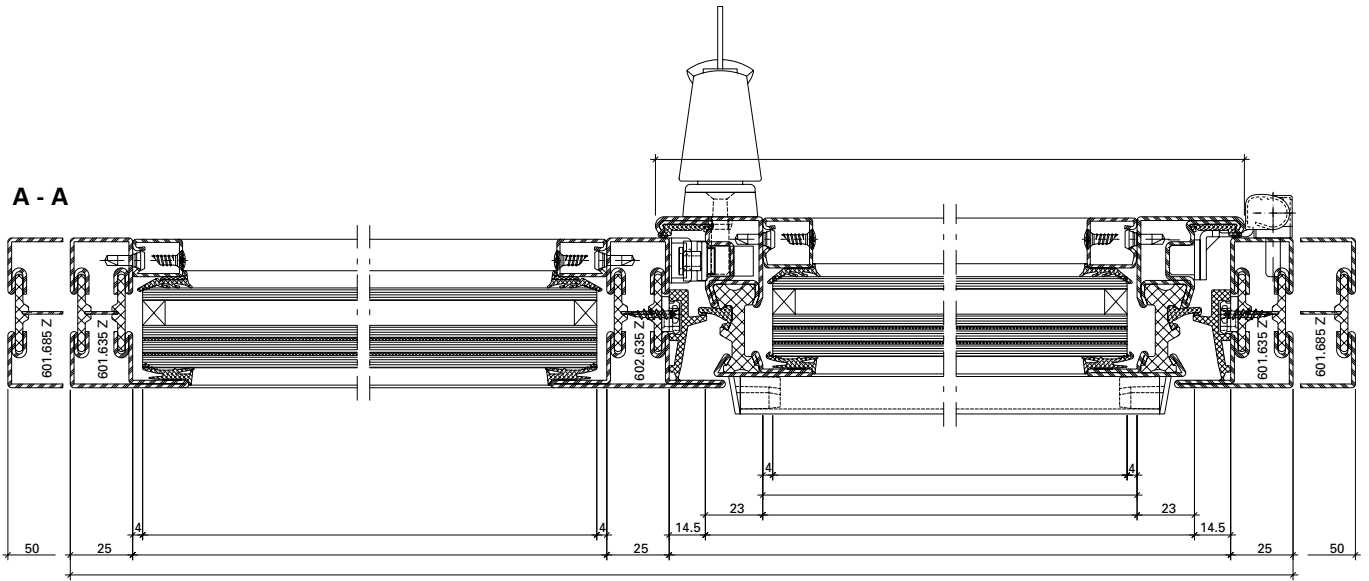
DWG

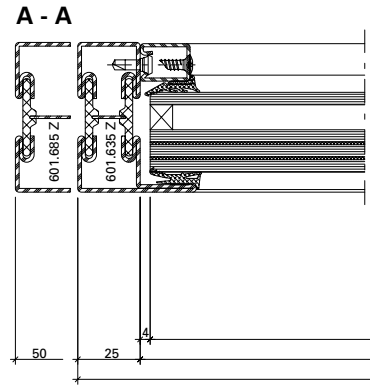
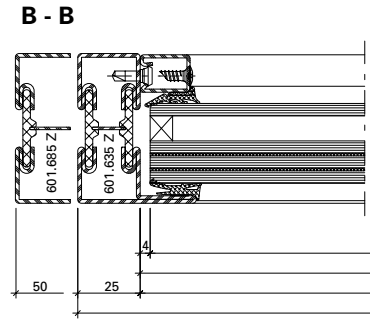
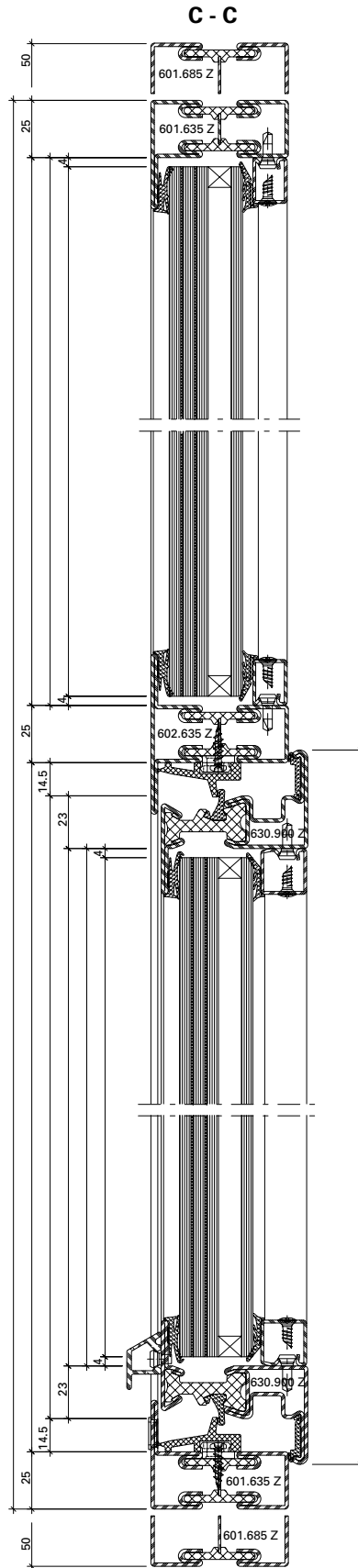
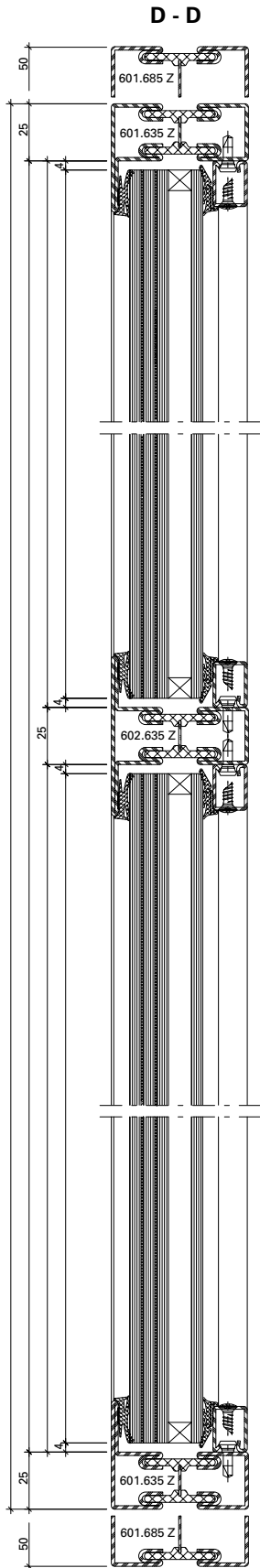
11-0302-C-023

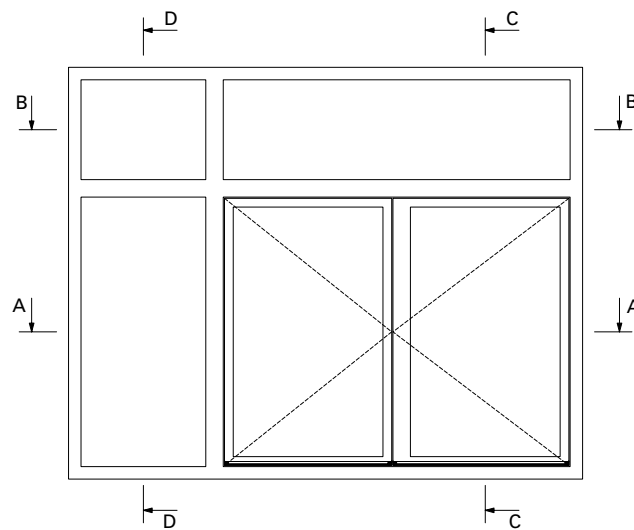
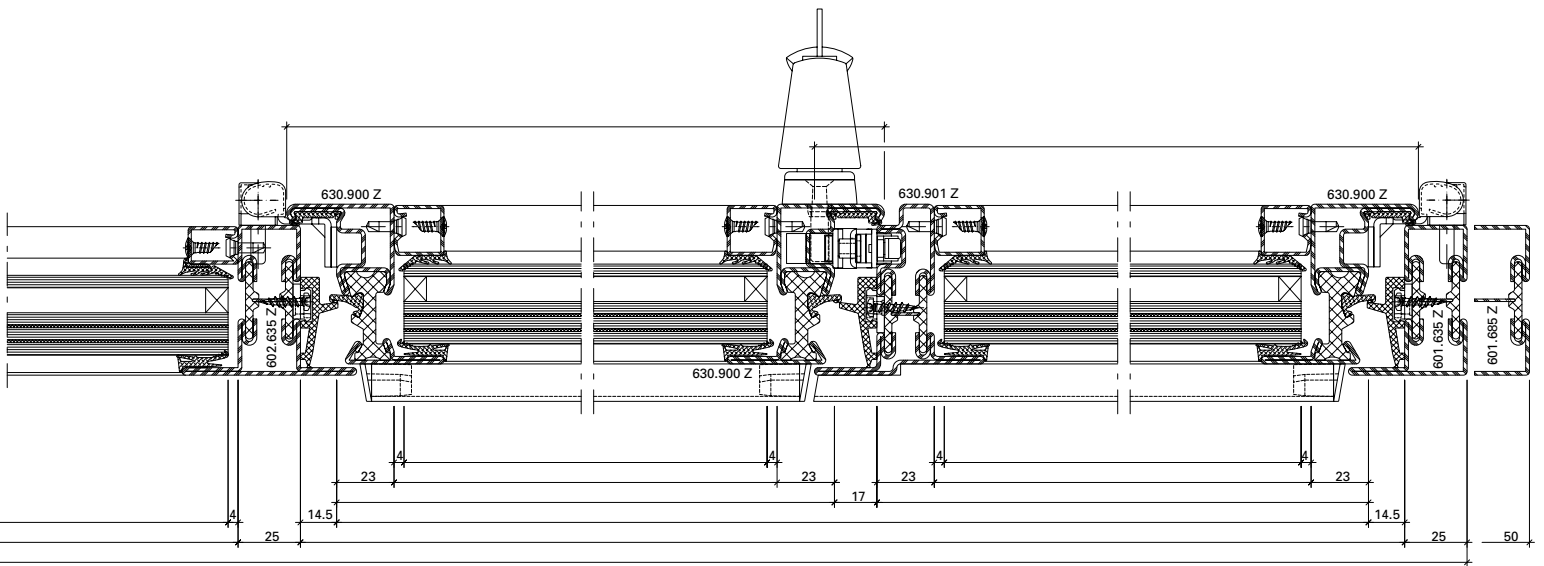
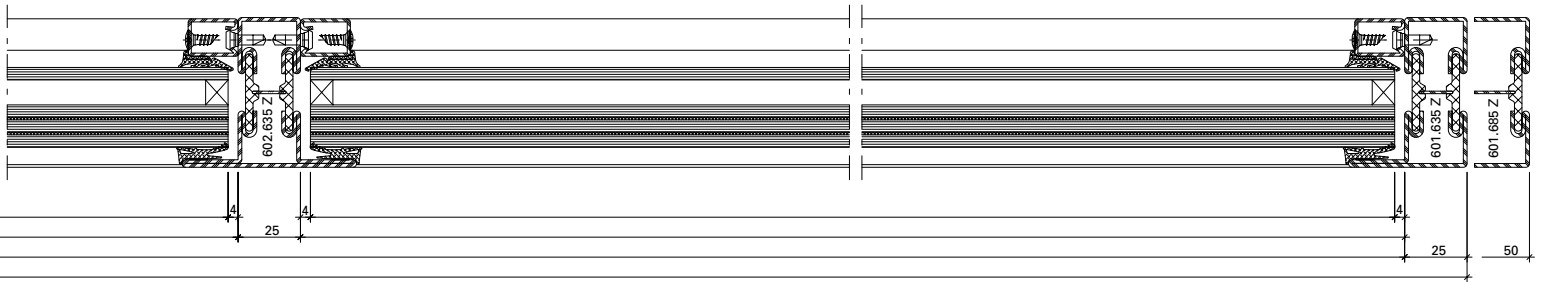






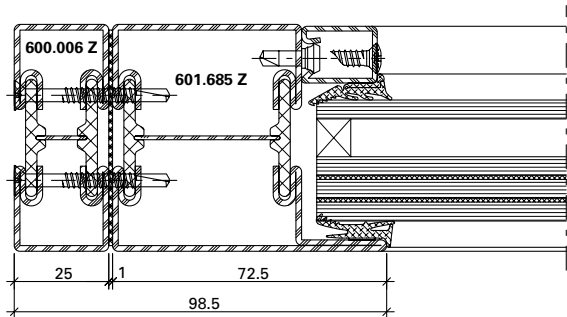




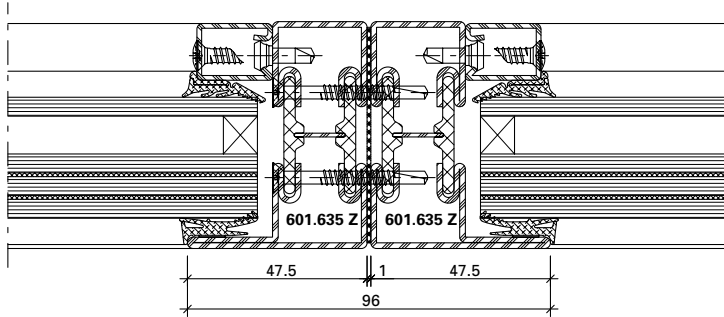


Konstruktionsdetails im Masstab 1:2  
 Détails de construction à l'échelle 1:2  
 Construction details on scale 1:2

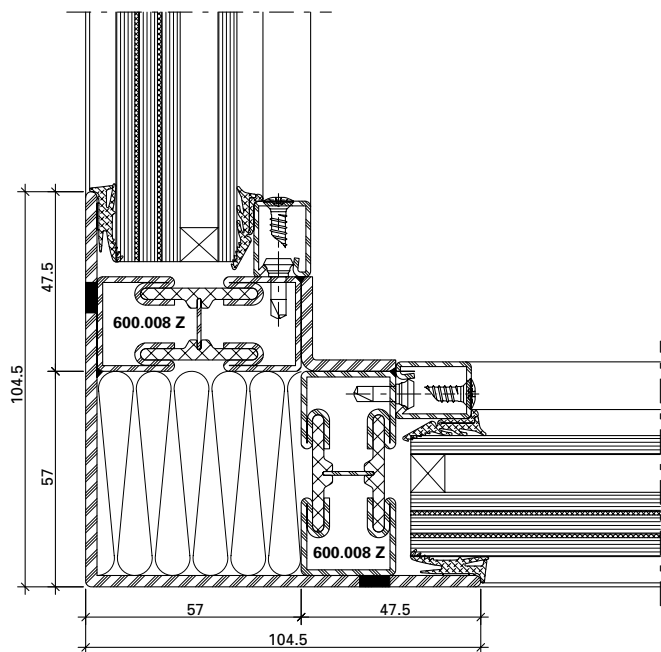
Janisol RC Fenster  
 Janisol RC fenêtres  
 Janisol RC windows



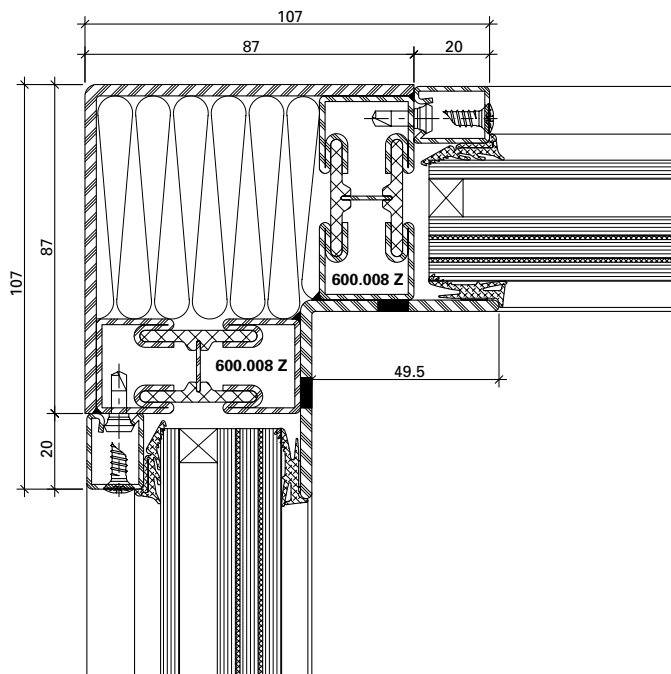
**DXF** **DWG** 11-0302-K-001



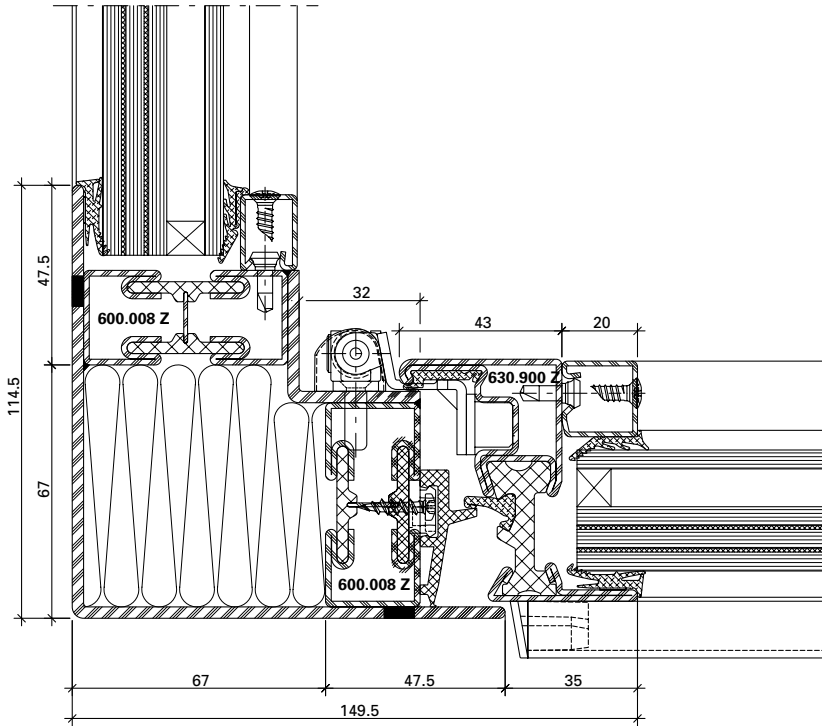
**DXF** **DWG** 11-0302-K-002



**DXF** **DWG** 11-0302-K-005



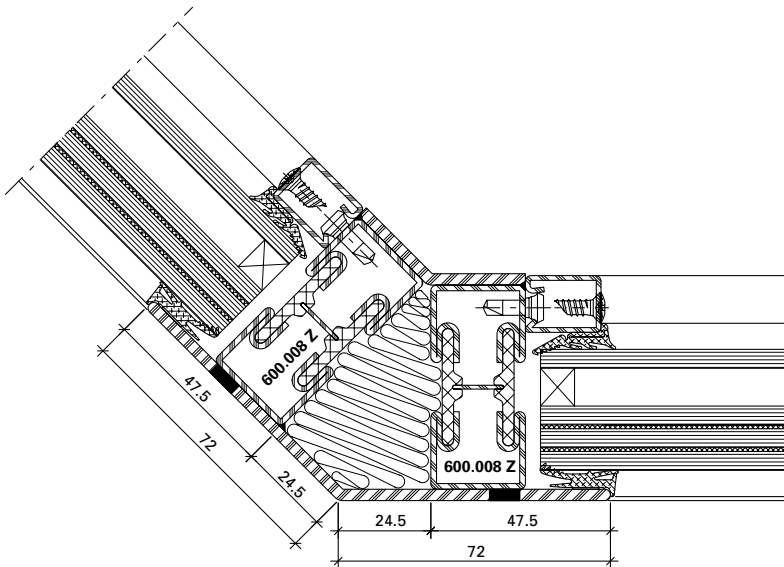
**DXF** **DWG** 11-0302-K-006



DXF

DWG

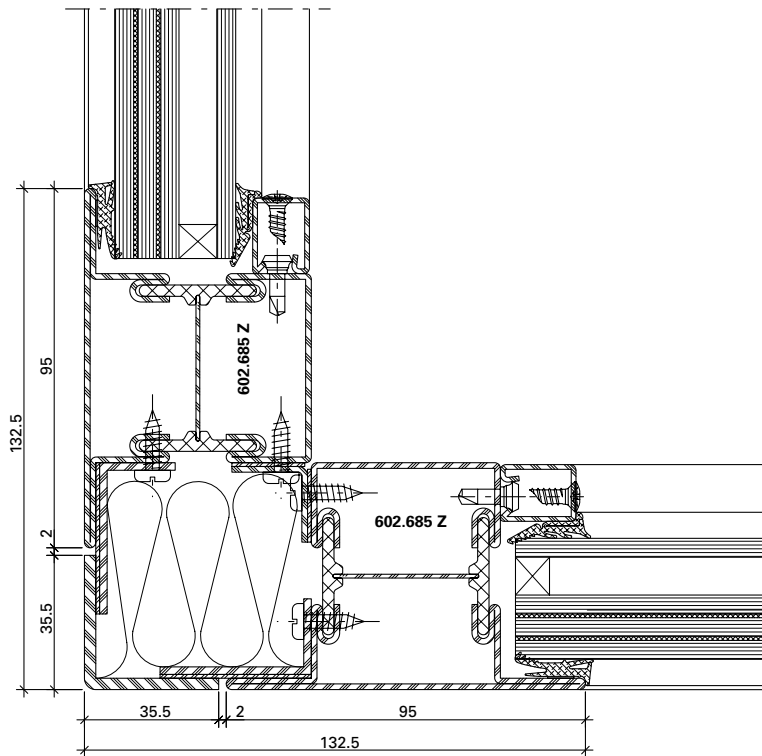
11-0302-K-009



DXF

DWG

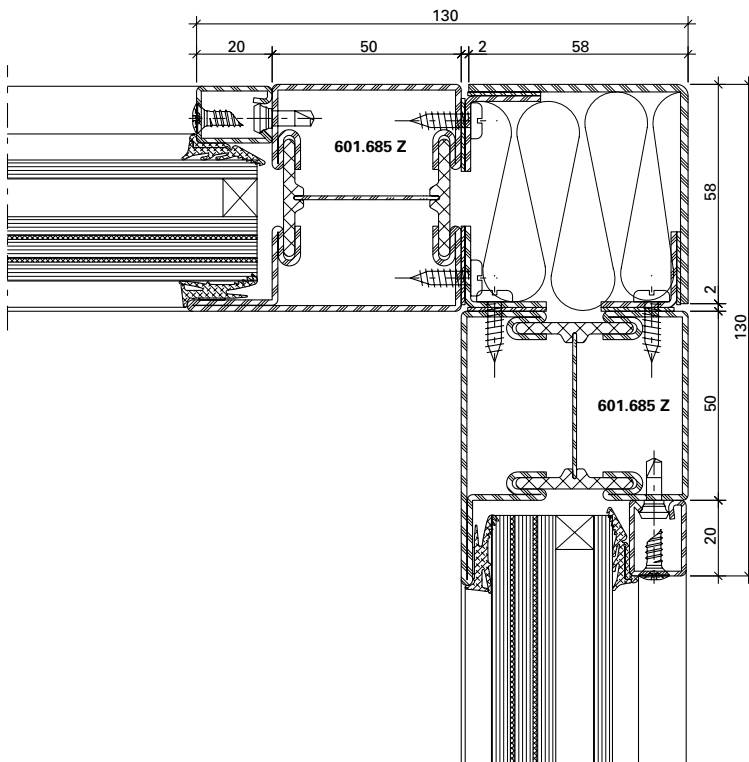
11-0302-K-010



DXF

DWG

11-0302-K-003



DXF

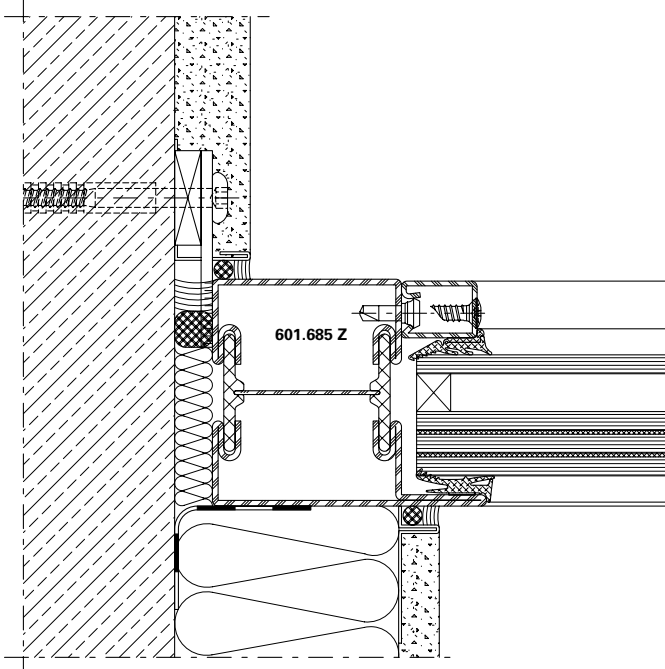
DWG

11-0302-K-004



Anschlüsse am Bau im Masstab 1:2  
Raccords au mur à l'échelle 1:2  
Attachment to structure on scale 1:2

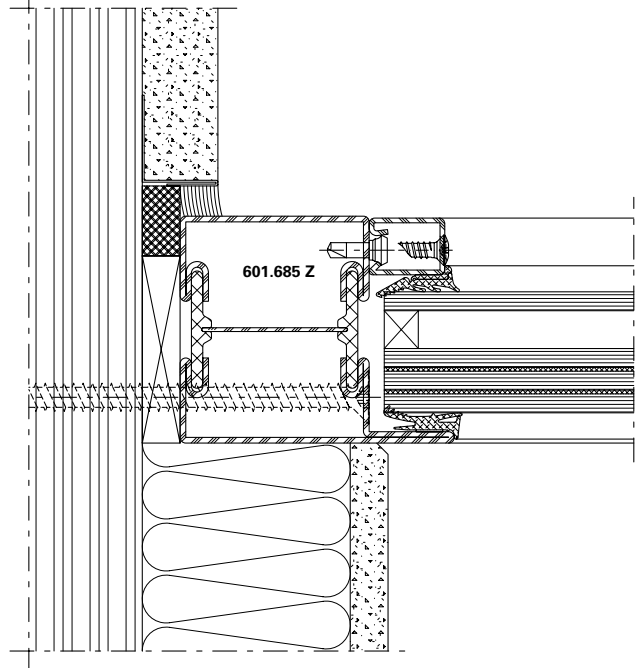
Janisol RC Fenster  
Janisol RC fenêtres  
Janisol RC windows



DXF

DWG

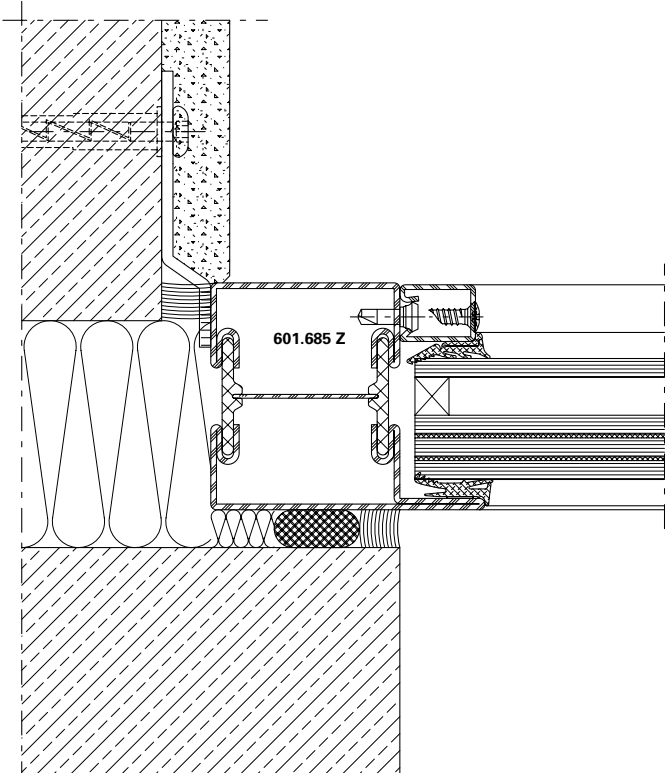
11-0302-A-002



DXF

DWG

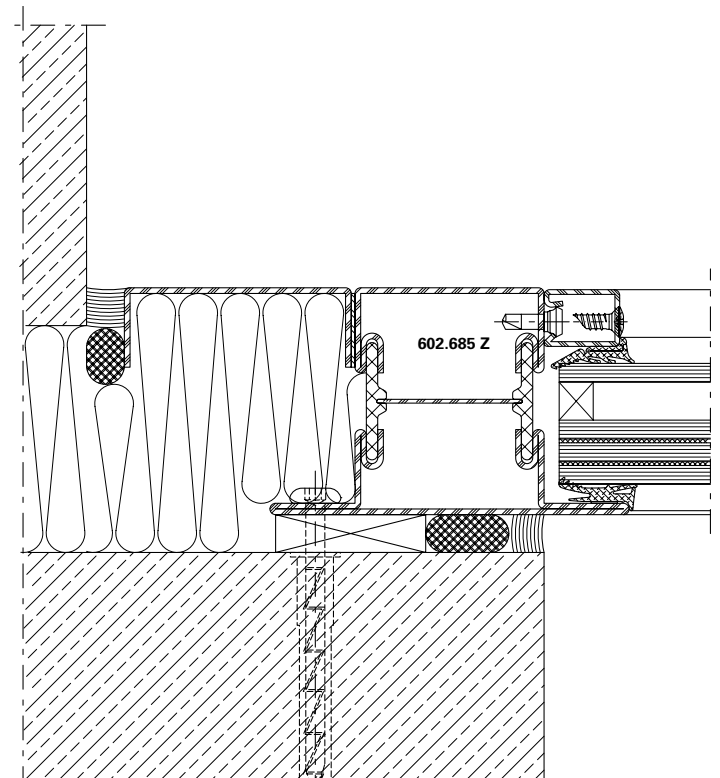
11-0302-A-016



DXF

DWG

11-0302-A-004



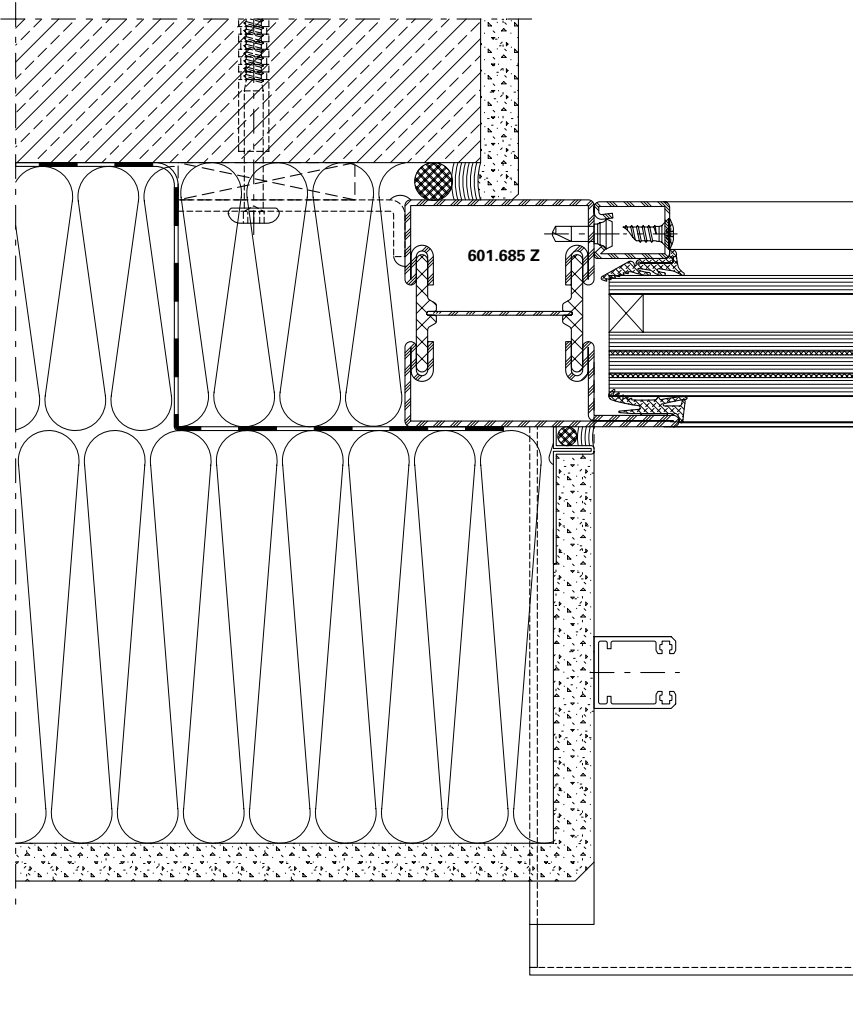
DXF

DWG

11-0302-A-005

Anschlüsse am Bau im Masstab 1:2  
Raccords au mur à l'échelle 1:2  
Attachment to structure on scale 1:2

Janisol RC Fenster  
Janisol RC fenêtres  
Janisol RC windows



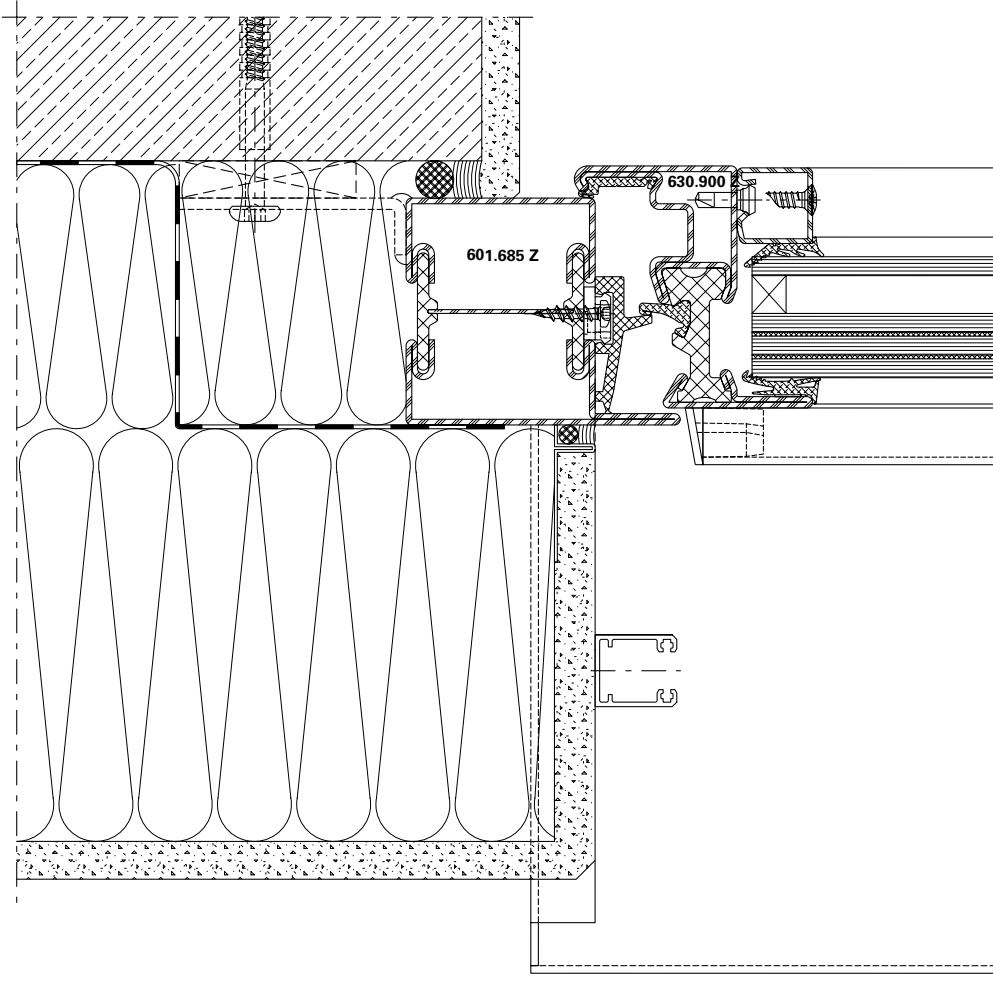
DXF

DWG

11-0302-A-001

Anschlüsse am Bau im Masstab 1:2  
Raccords au mur à l'échelle 1:2  
Attachment to structure on scale 1:2

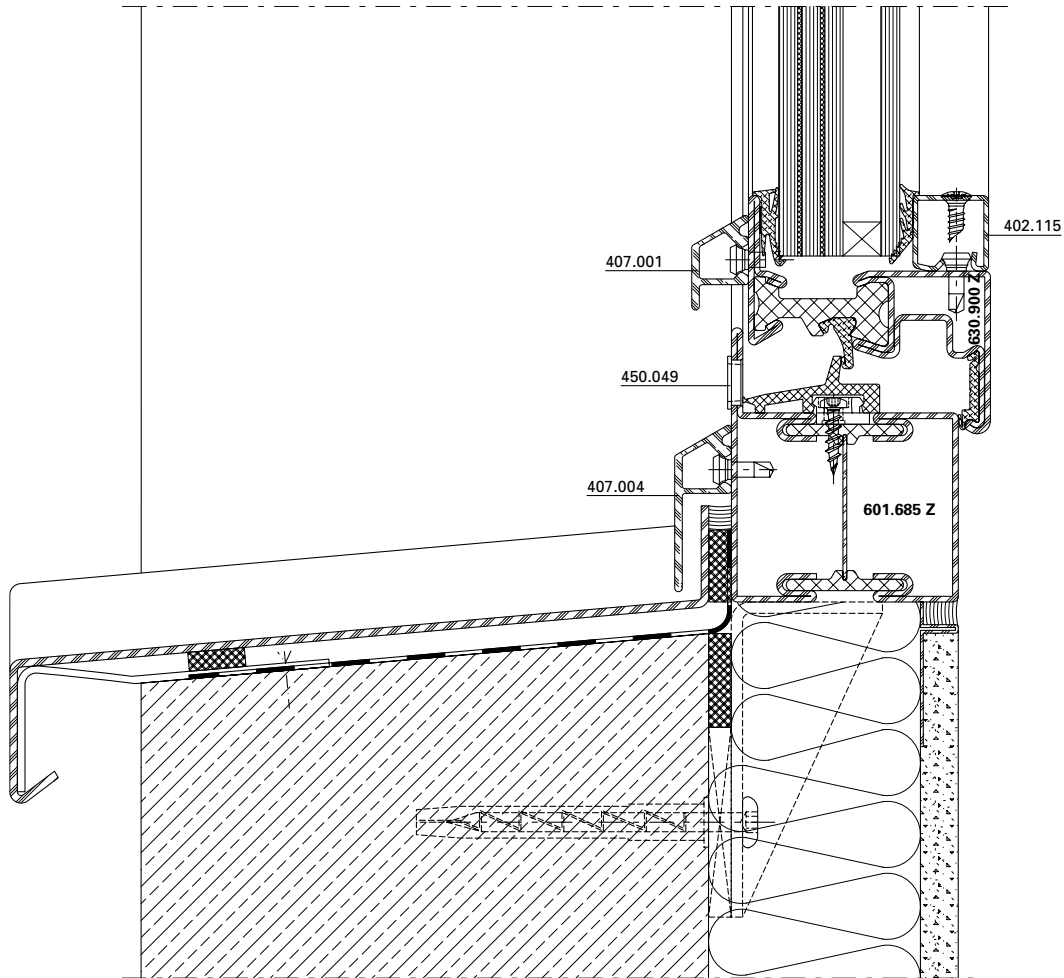
Janisol RC Fenster  
Janisol RC fenêtres  
Janisol RC windows



DXF

DWG

11-0302-A-003



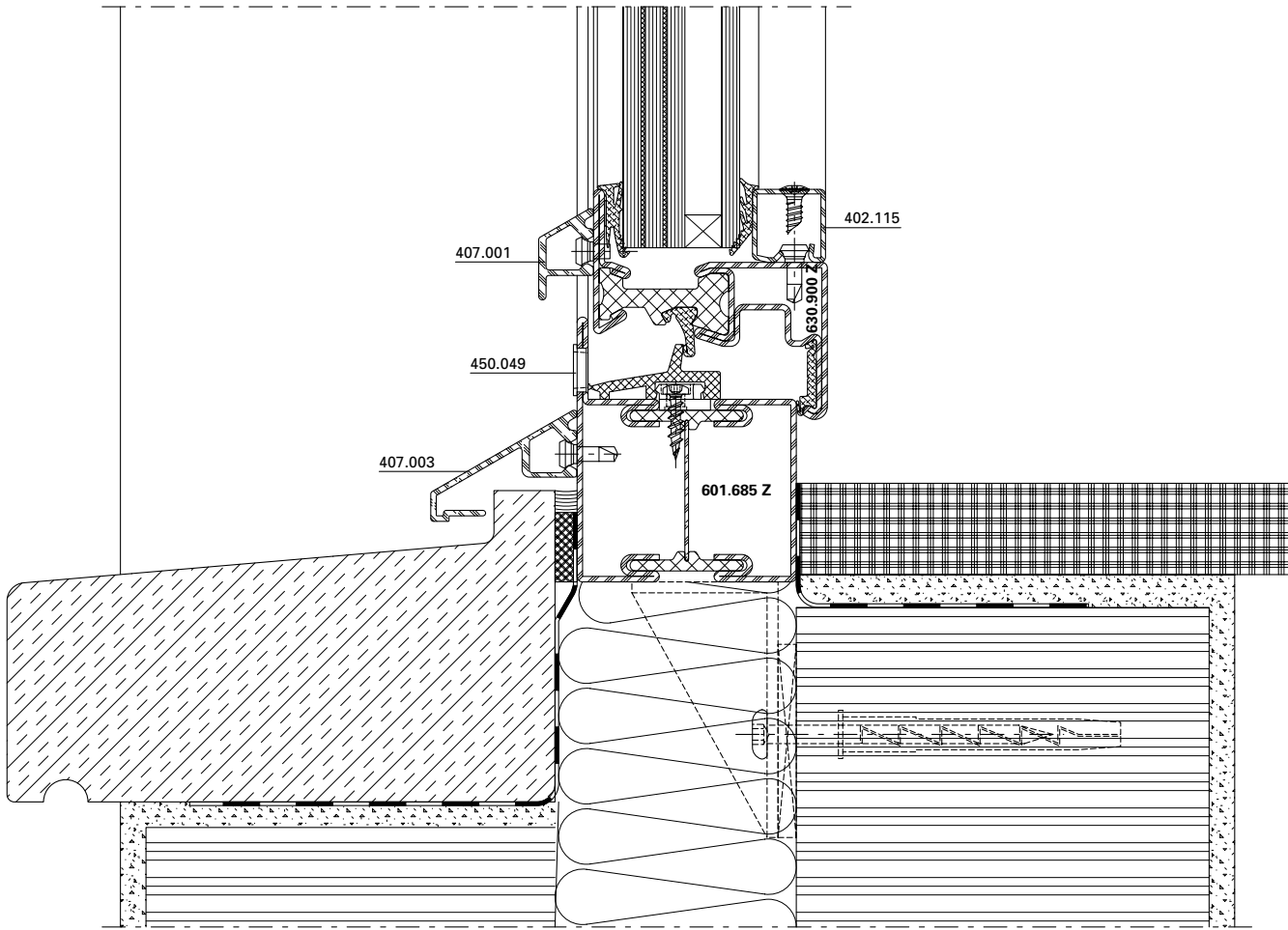
DXF

DWG

11-0302-A-014

Anschlüsse am Bau im Massstab 1:2  
Raccords au mur à l'échelle 1:2  
Attachment to structure on scale 1:2

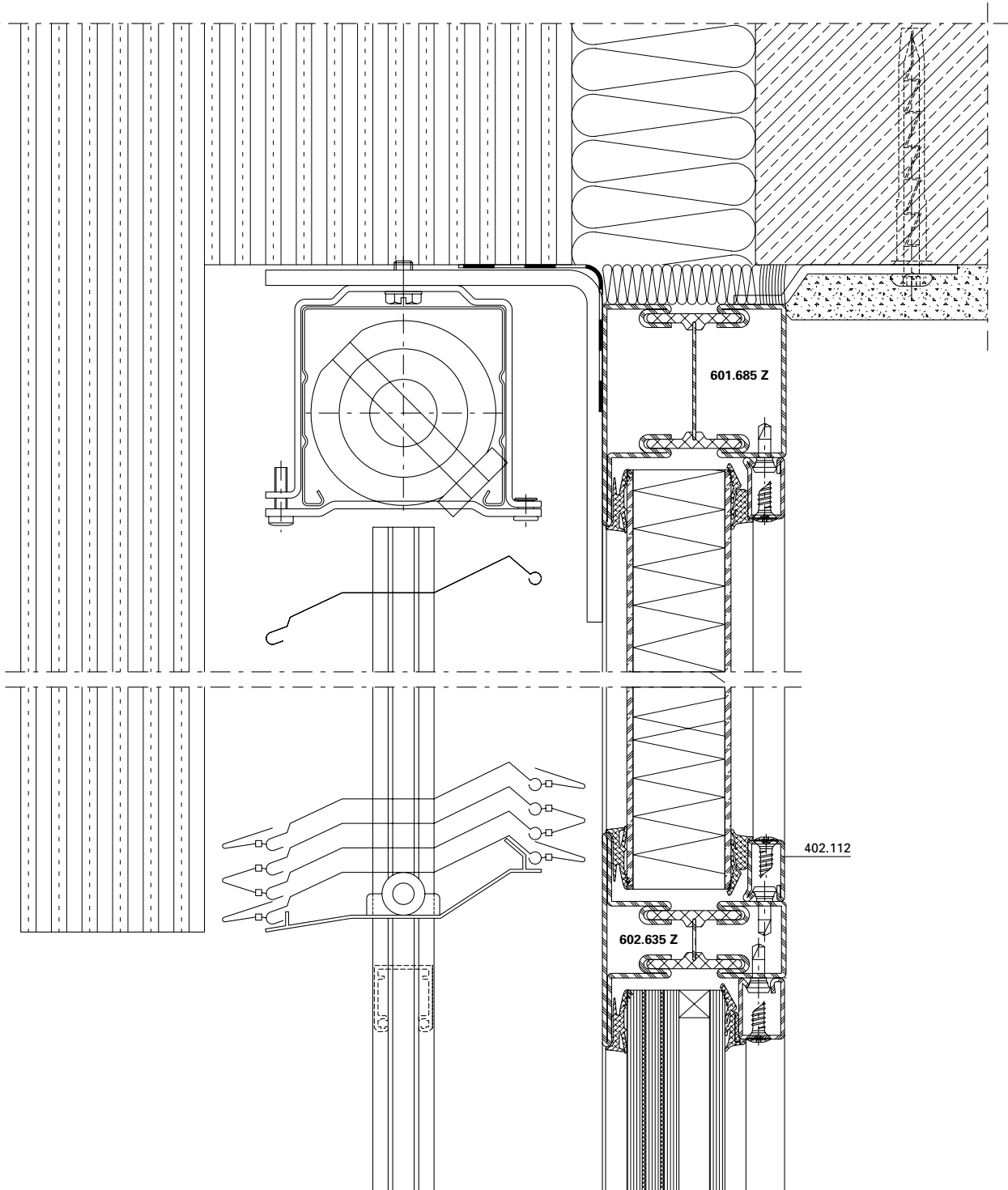
Janisol RC Fenster  
Janisol RC fenêtres  
Janisol RC windows



DXF

DWG

11-0302-A-012



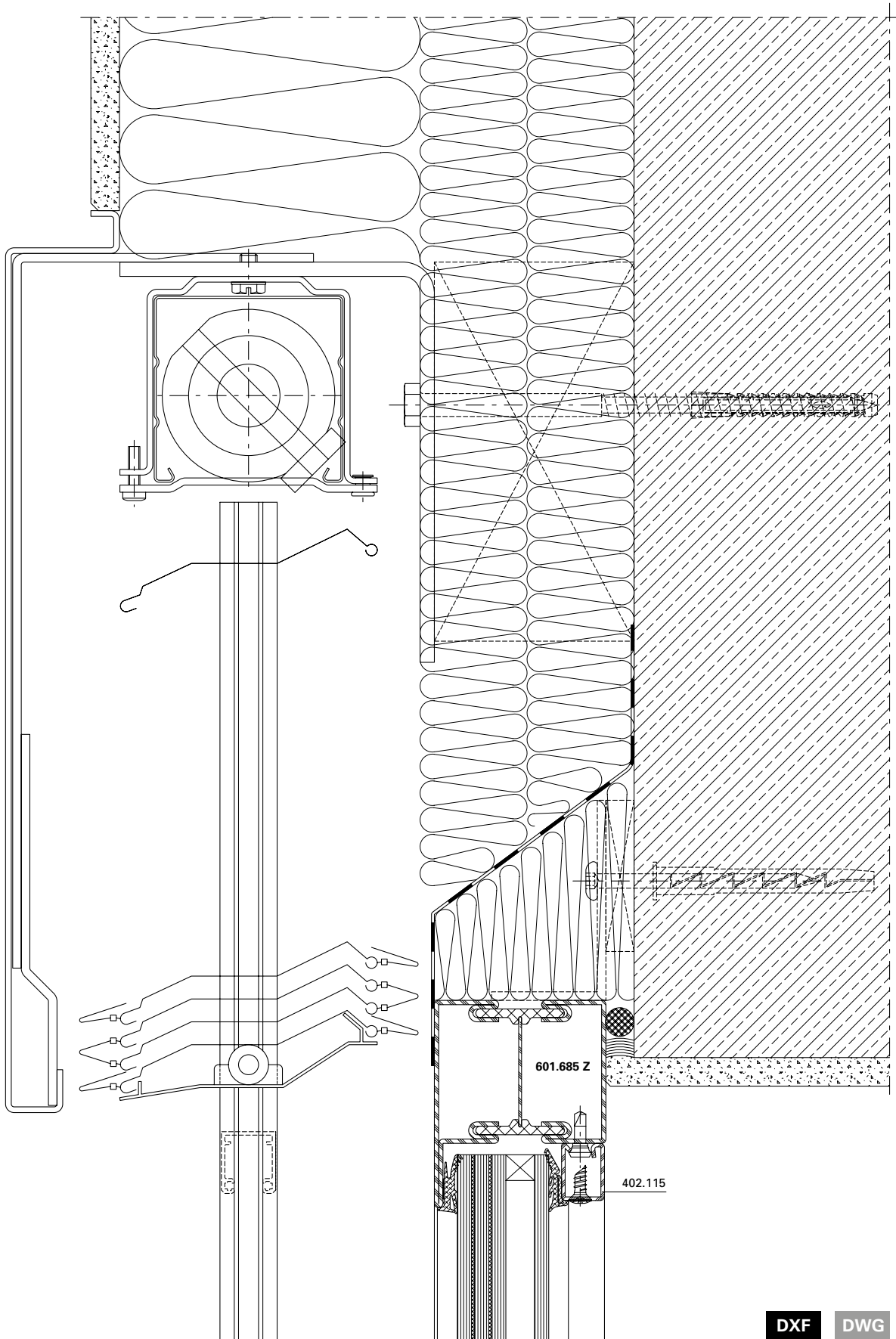
DXF

DWG

11-0302-A-010

Anschlüsse am Bau im Masstab 1:2  
Raccords au mur à l'échelle 1:2  
Attachment to structure on scale 1:2

Janisol RC Fenster  
Janisol RC fenêtres  
Janisol RC windows



DXF

DWG

11-0302-A-011