

CAD-Bibliothek  
CAD Library

---

**Stahl-Systeme**  
Fenstersysteme

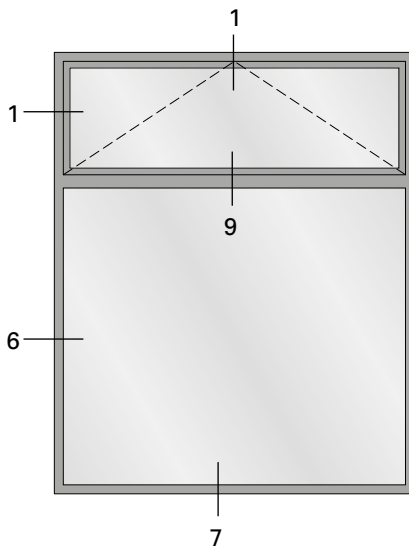
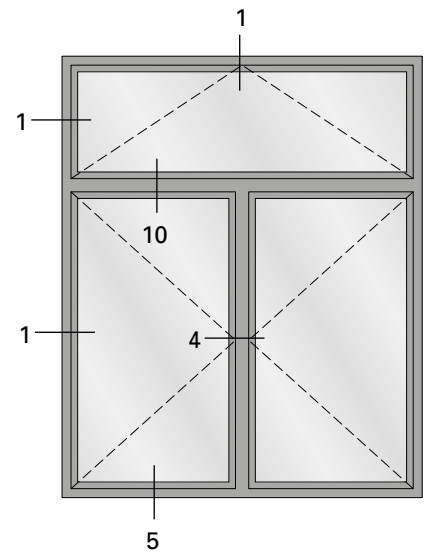
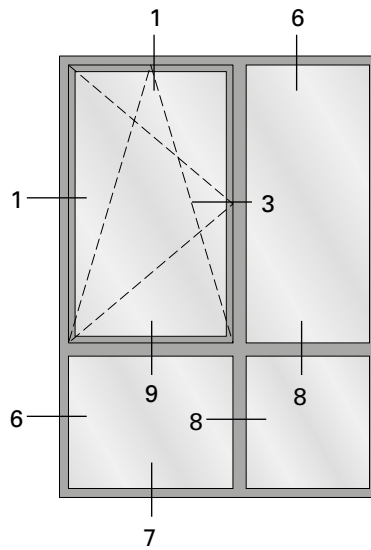
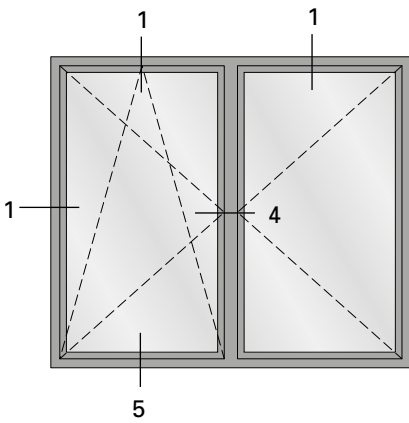
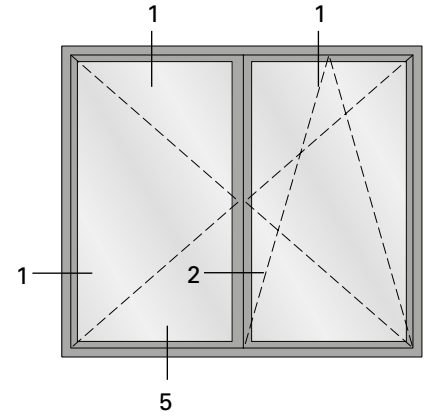
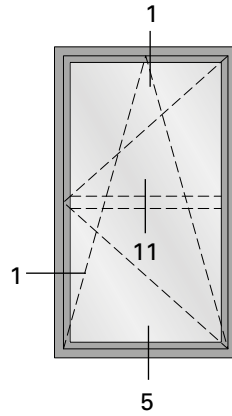
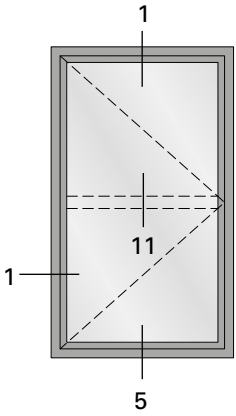
## **Janisol HI – Einbruchhemmung**

---

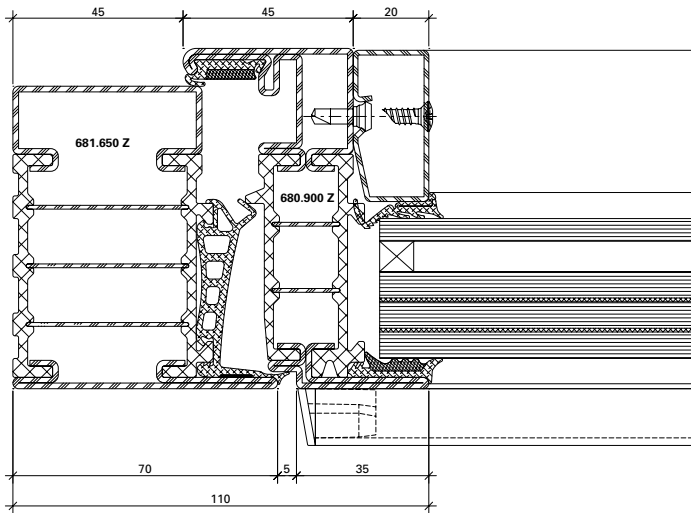
**Steel Systems**  
Window Systems

## **Janisol HI – Burglar Resistance**

---

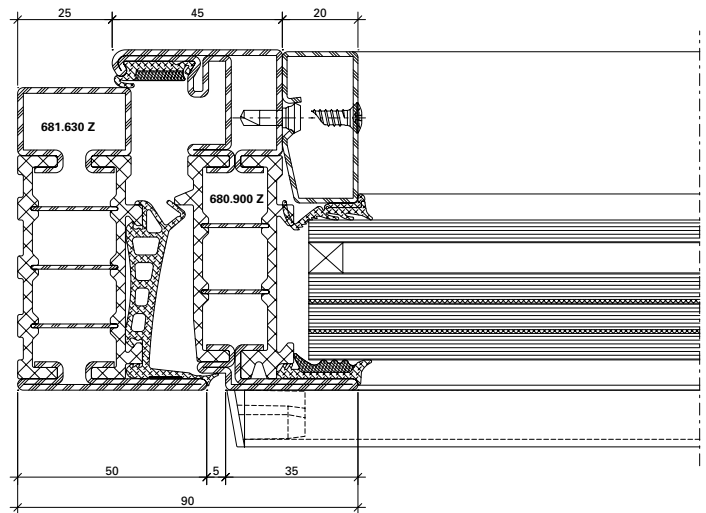


1.0



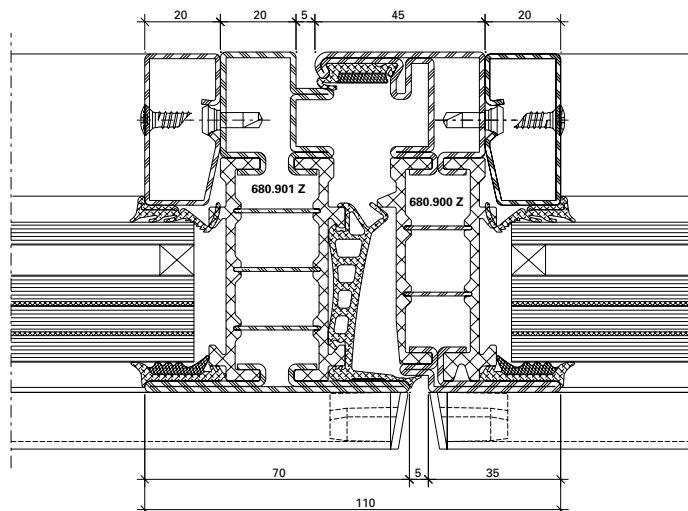
**DXF** **DWG** 12-0202-C-001

1.1



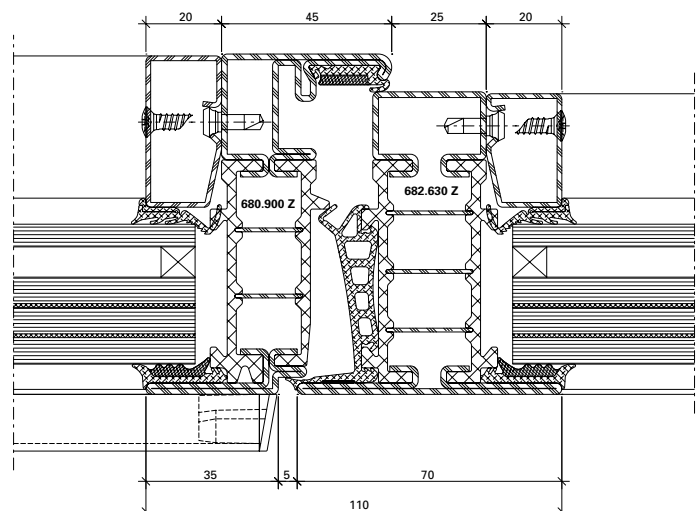
**DXF** **DWG** 12-0202-C-002

2.0



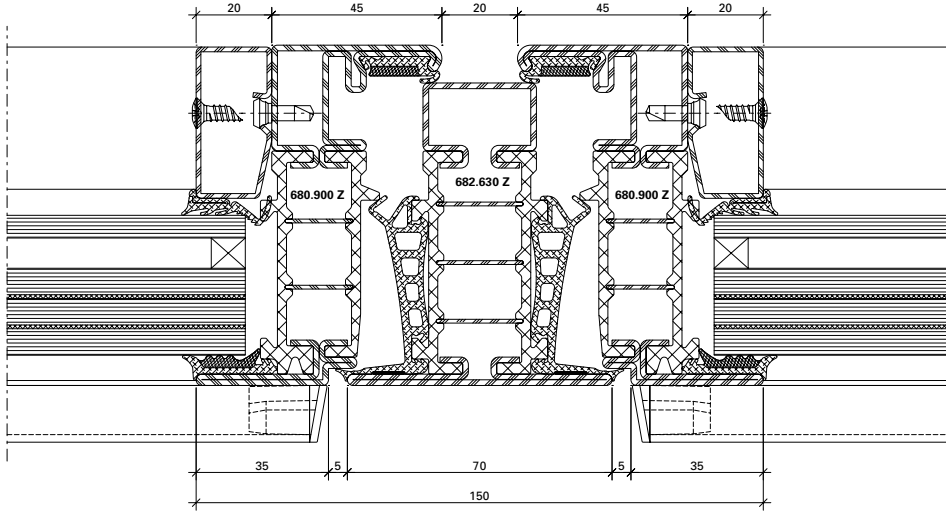
**DXF** **DWG** 12-0202-C-007

3.0



**DXF** **DWG** 12-0202-C-004

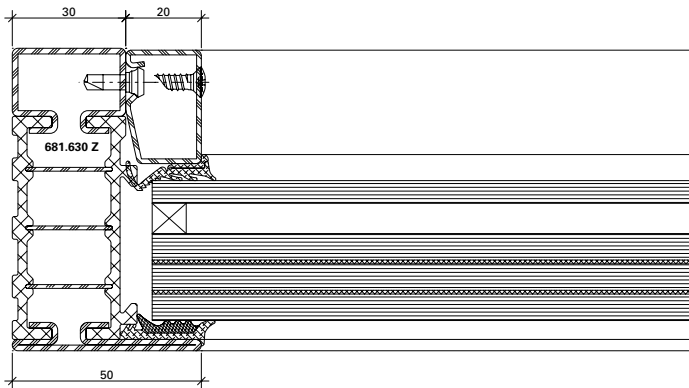
4.0



DXF DWG

12-0202-C-006

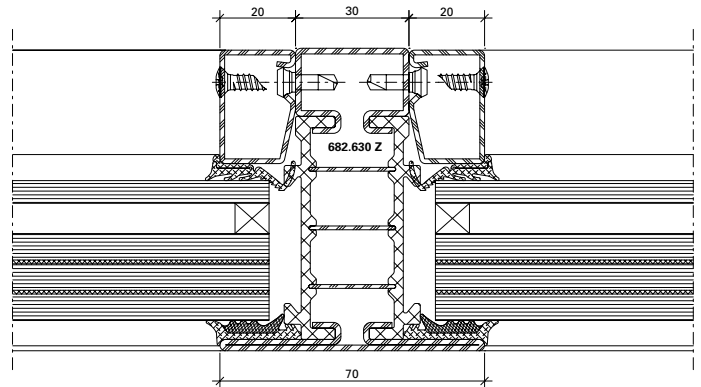
6.0



DXF DWG

12-0202-C-013

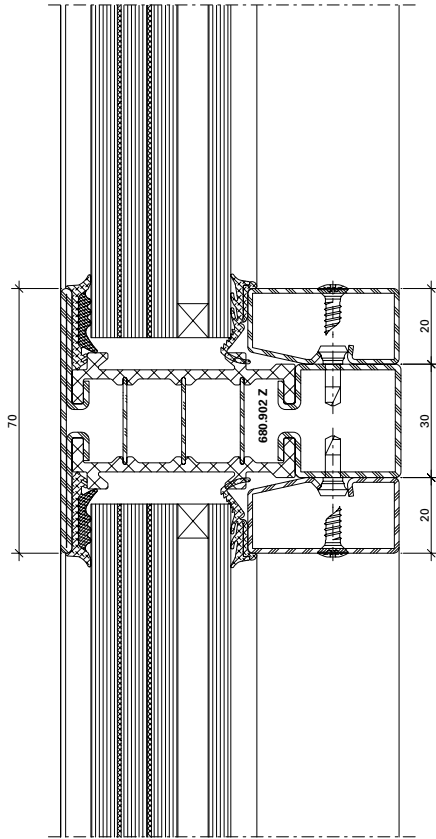
8.0



DXF DWG

12-0202-C-015

11.0

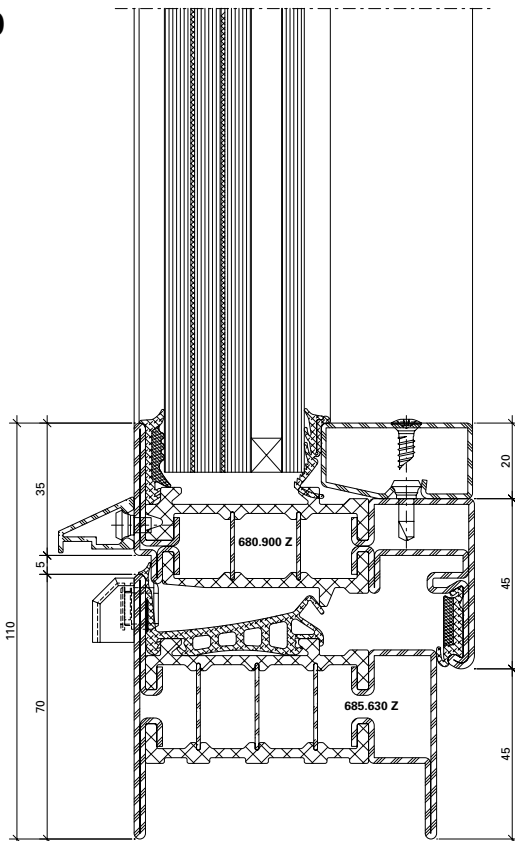


12-0202-C-020

DWG

DXF

5.0

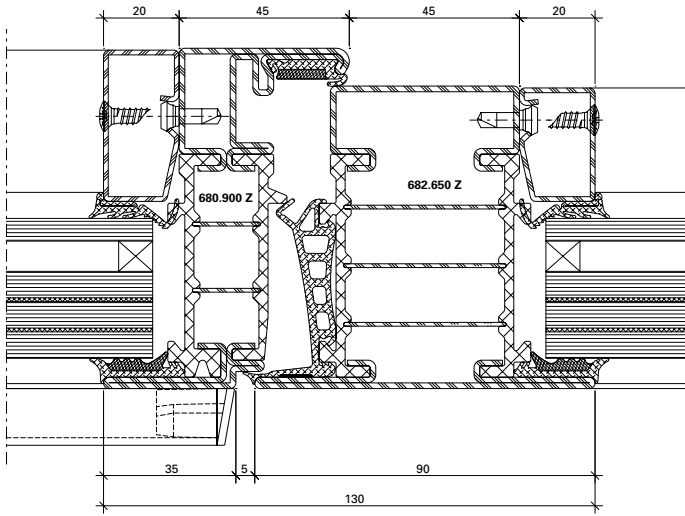


12-0202-C-009

DWG

DXF

3.1

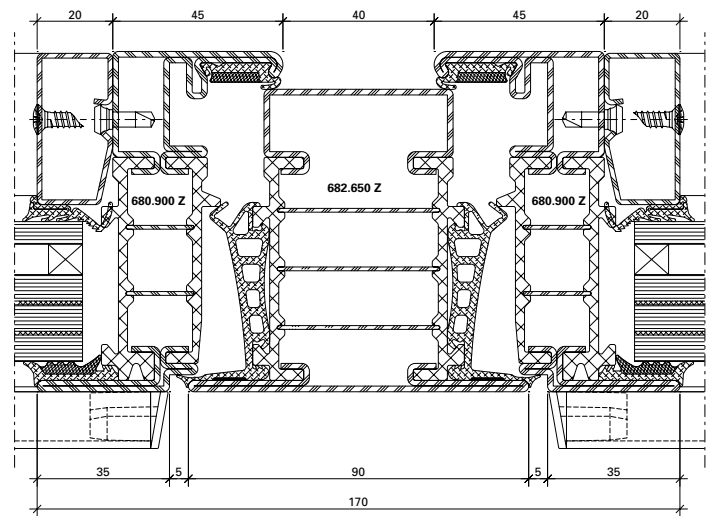


DXF

DWG

12-0202-C-003

4.1

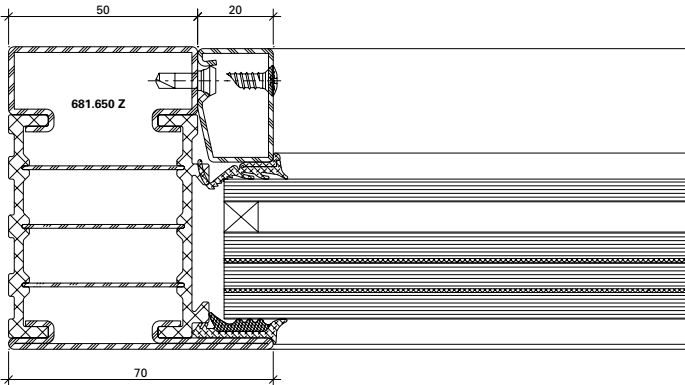


DXF

DWG

12-0203-C-005

6.1

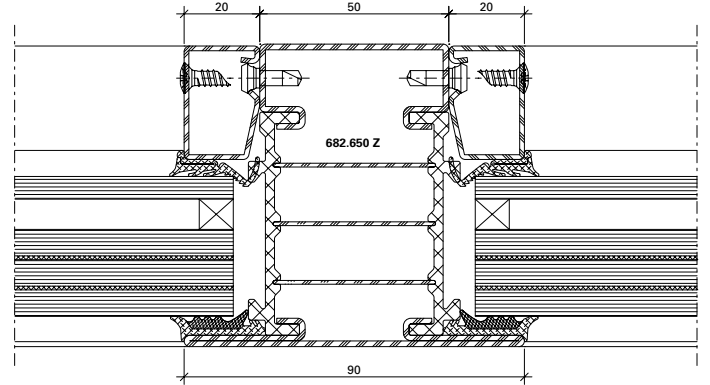


DXF

DWG

12-0202-C-012

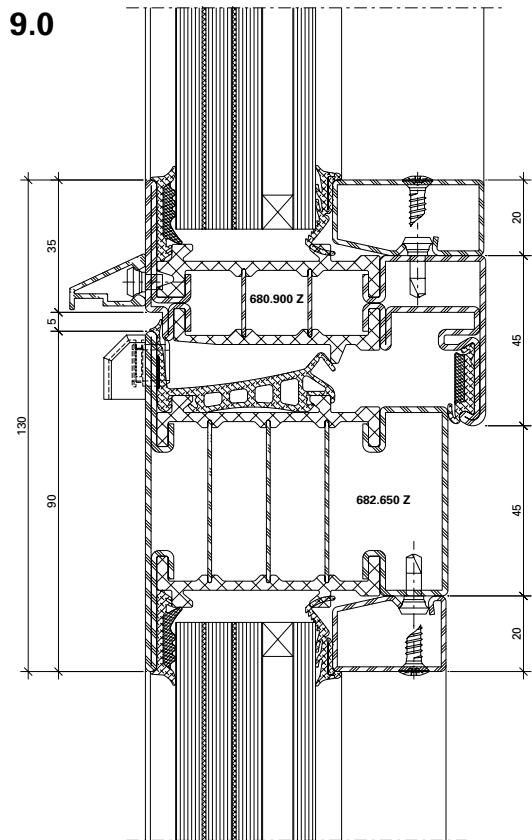
8.1



DXF

DWG

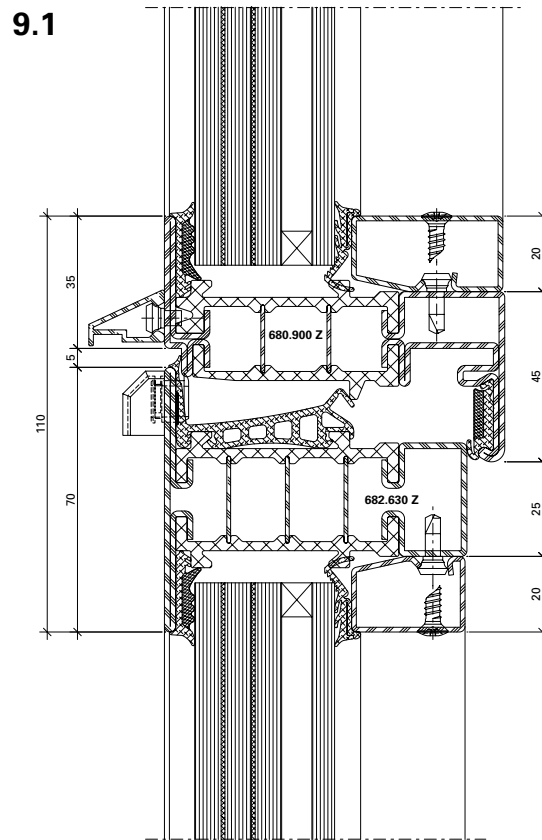
12-0202-C-014



12-0202-C-016

DWG

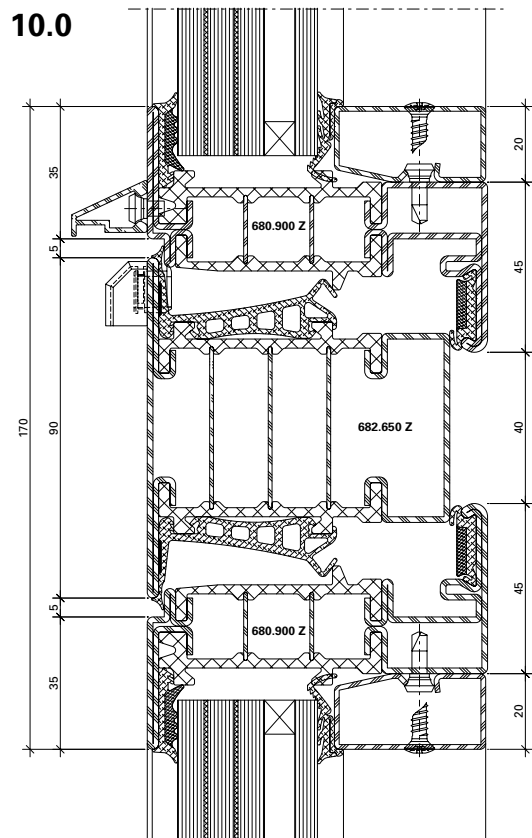
DXF



12-0202-C-019

DWG

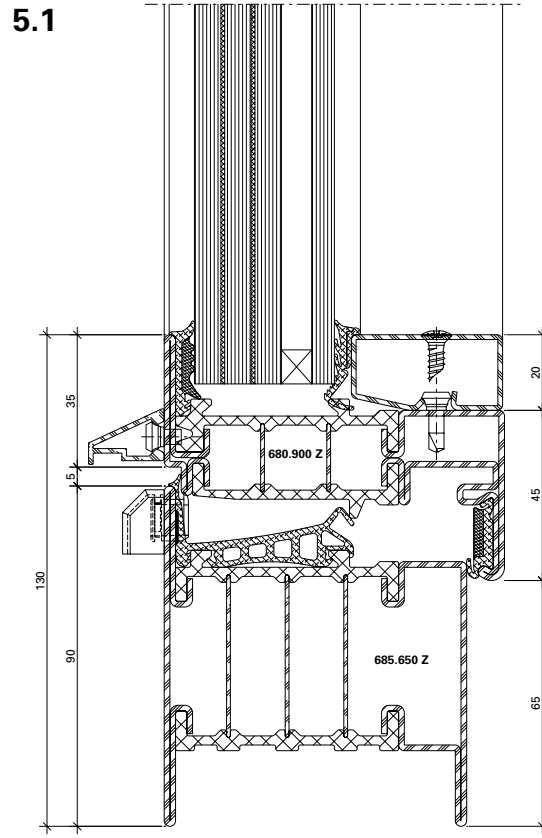
DXF



12-0202-C-018

DWG

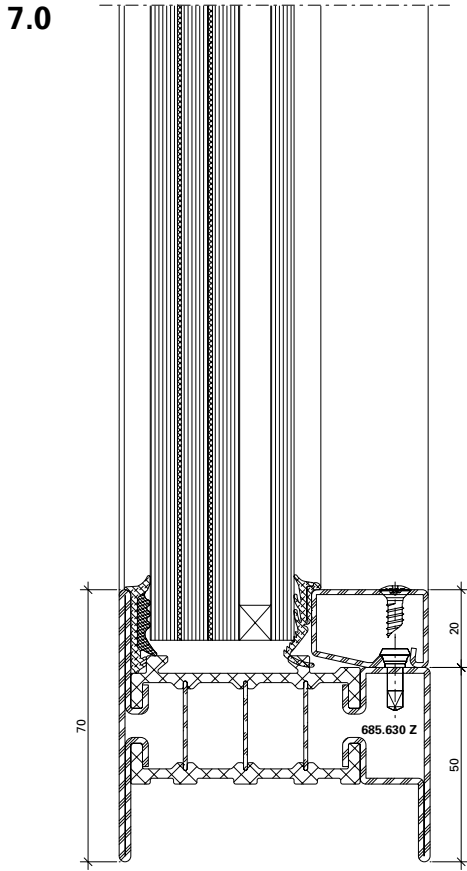
DXF



12-0202-C-008

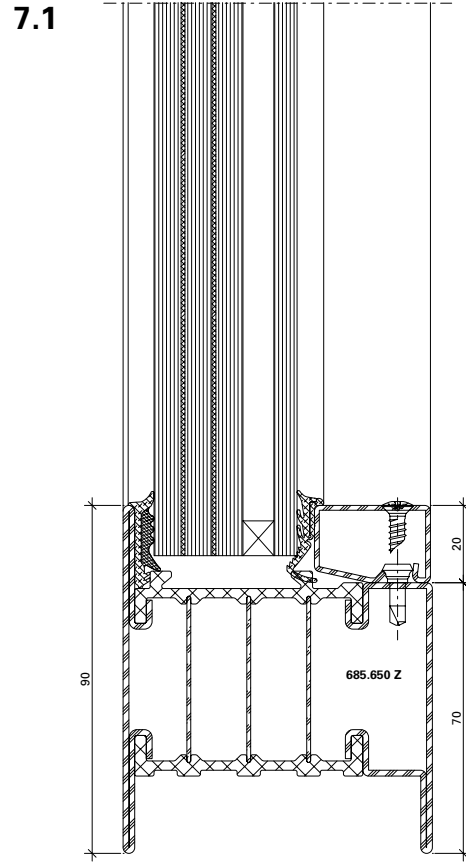
DWG

DXF



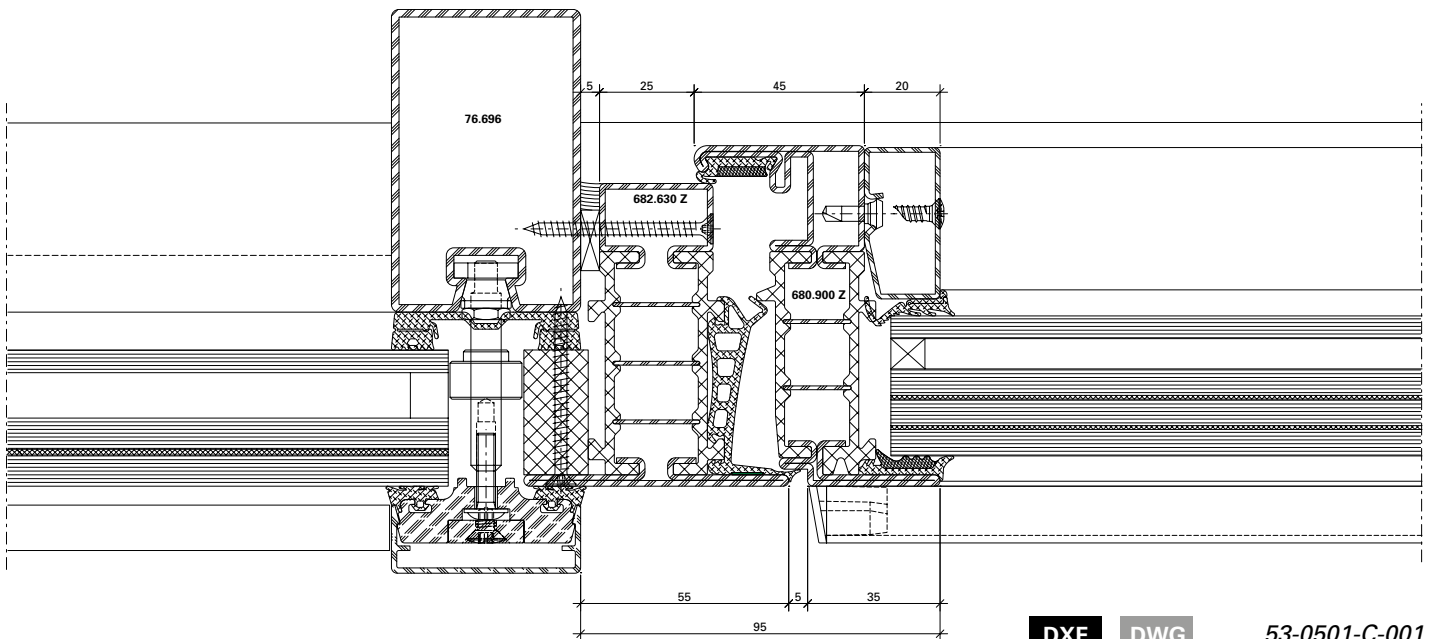
DWG

DXF



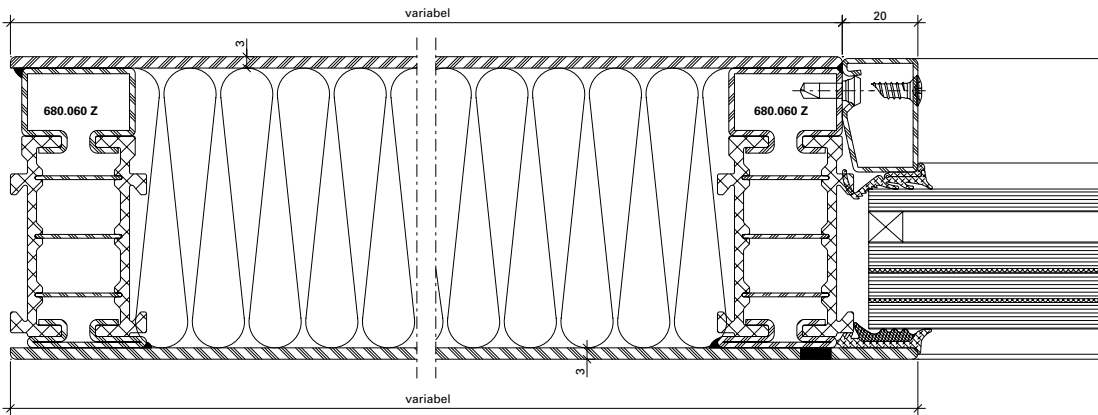
DWG

DXF





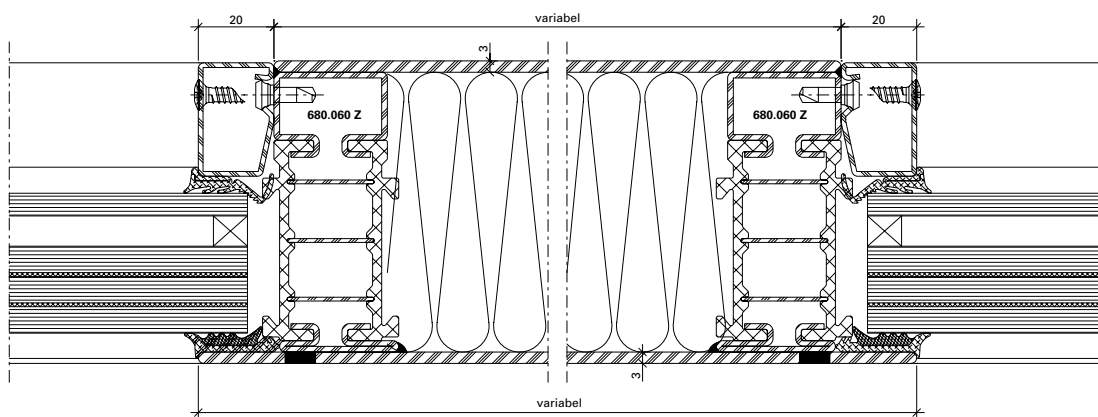
## 6.2



DXF DWG

12-0202-C-021

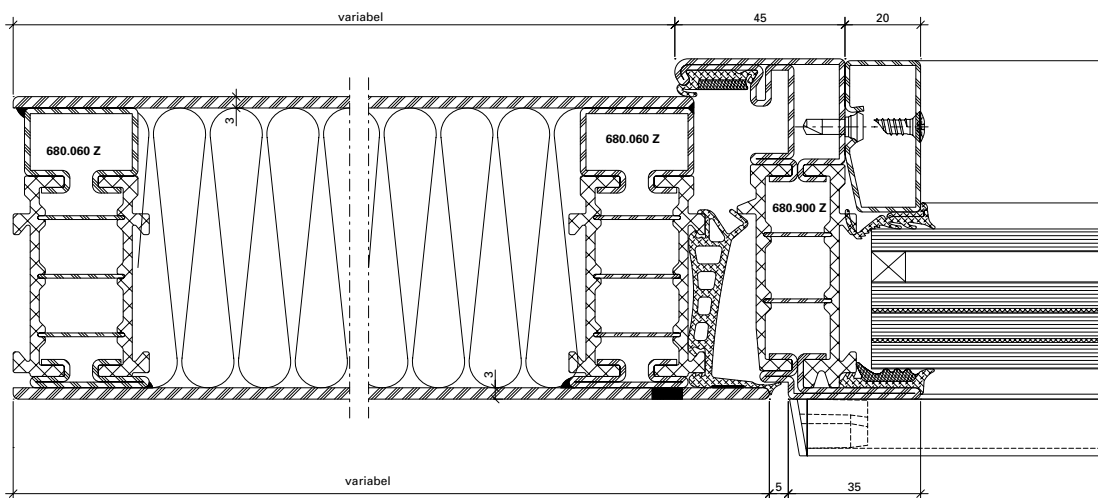
## 8.2



DXF DWG

12-0202-C-022

## 1.2

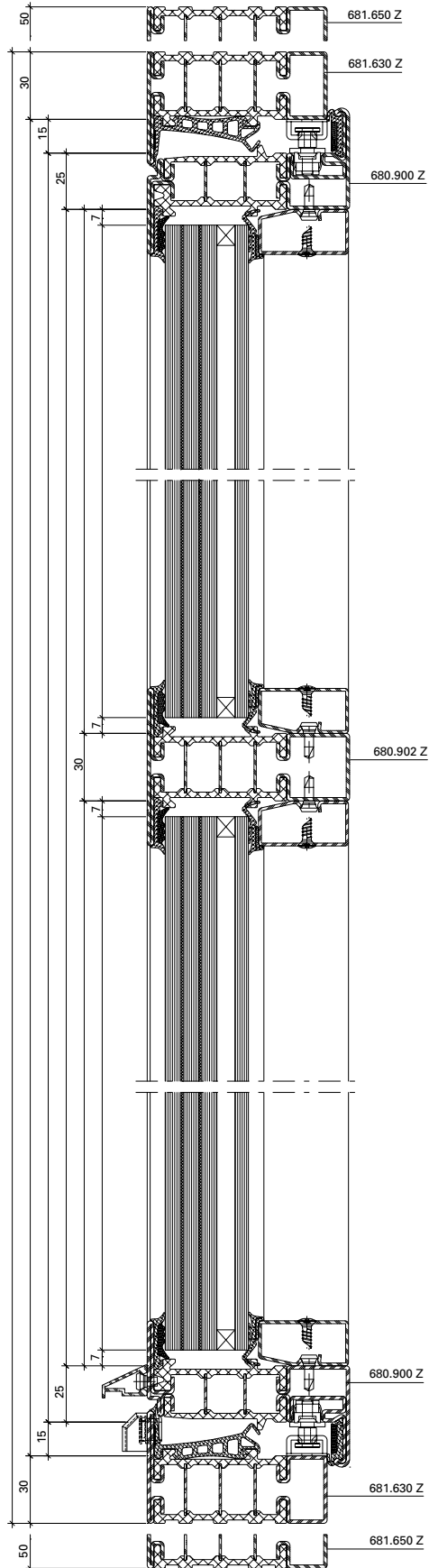
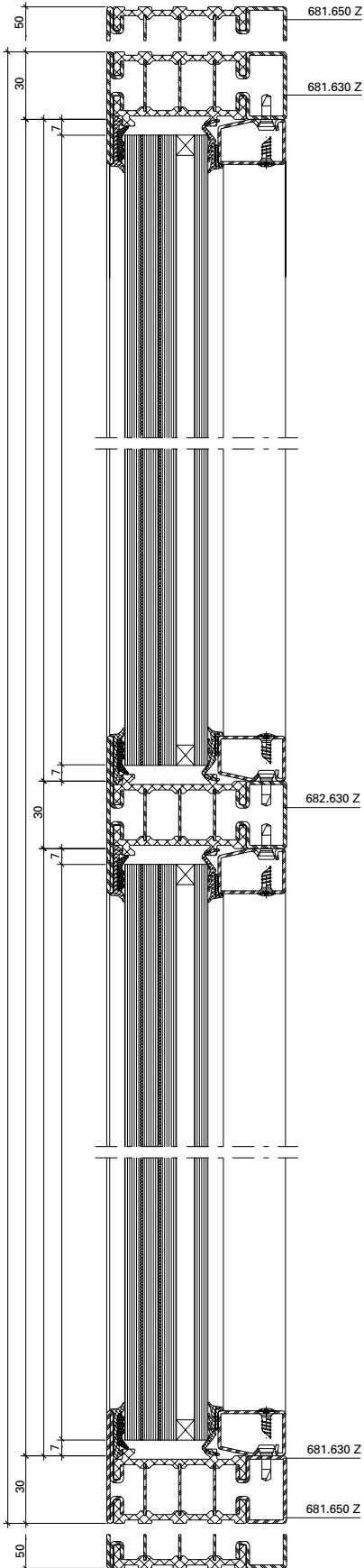


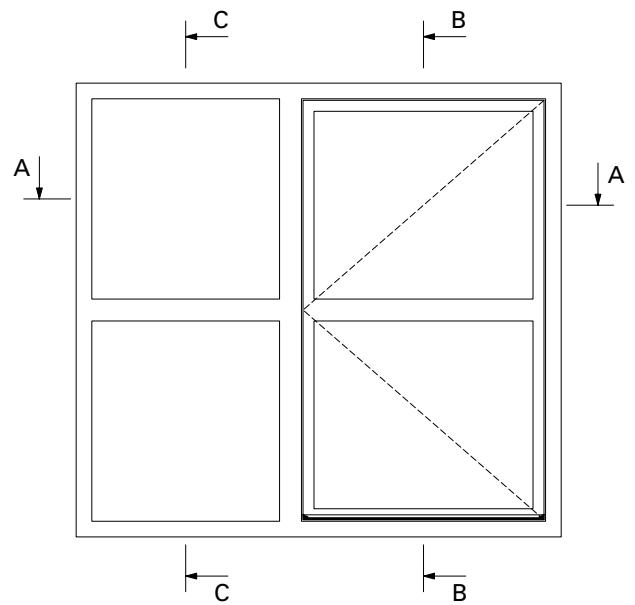
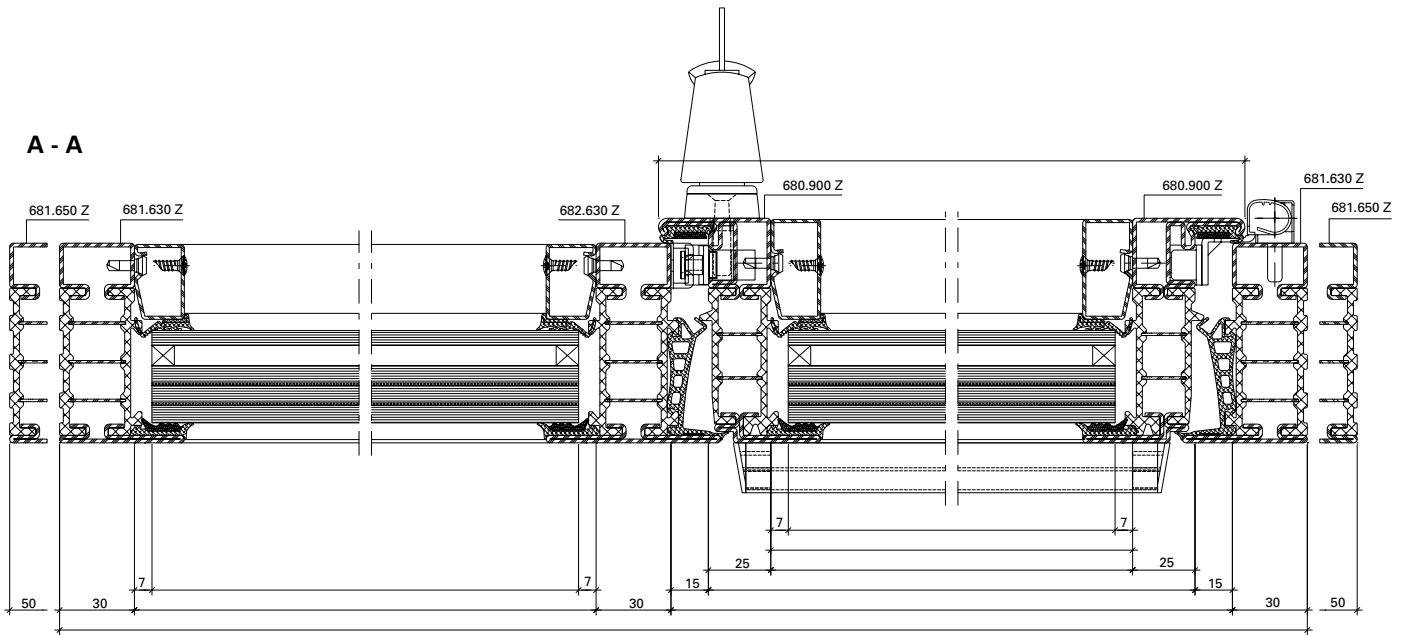
DXF DWG

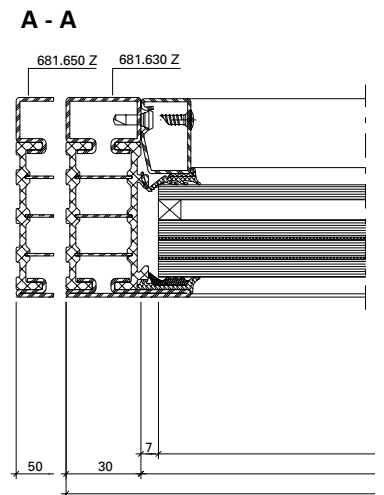
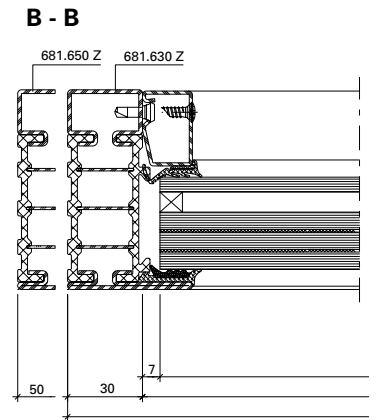
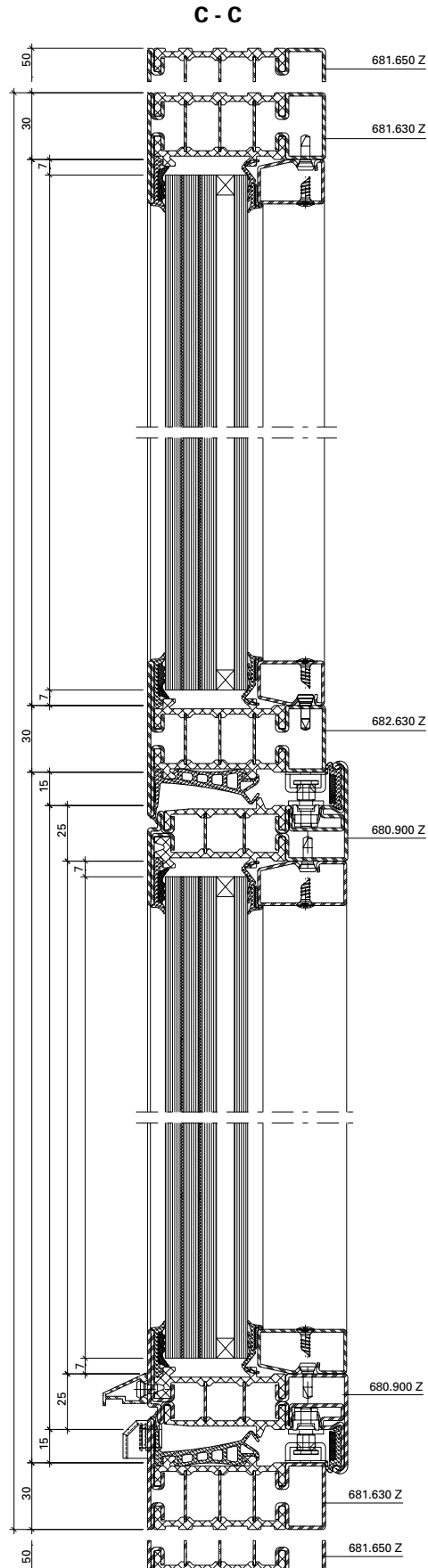
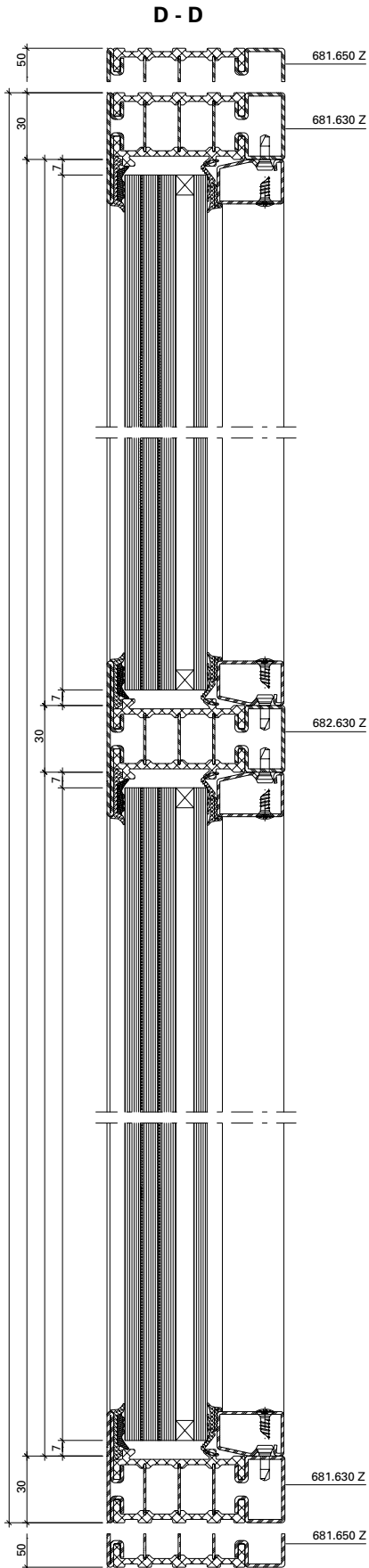
12-0202-C-023

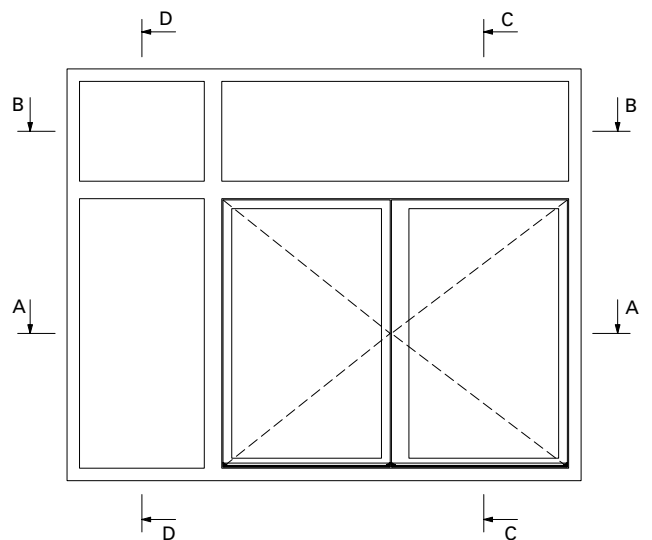
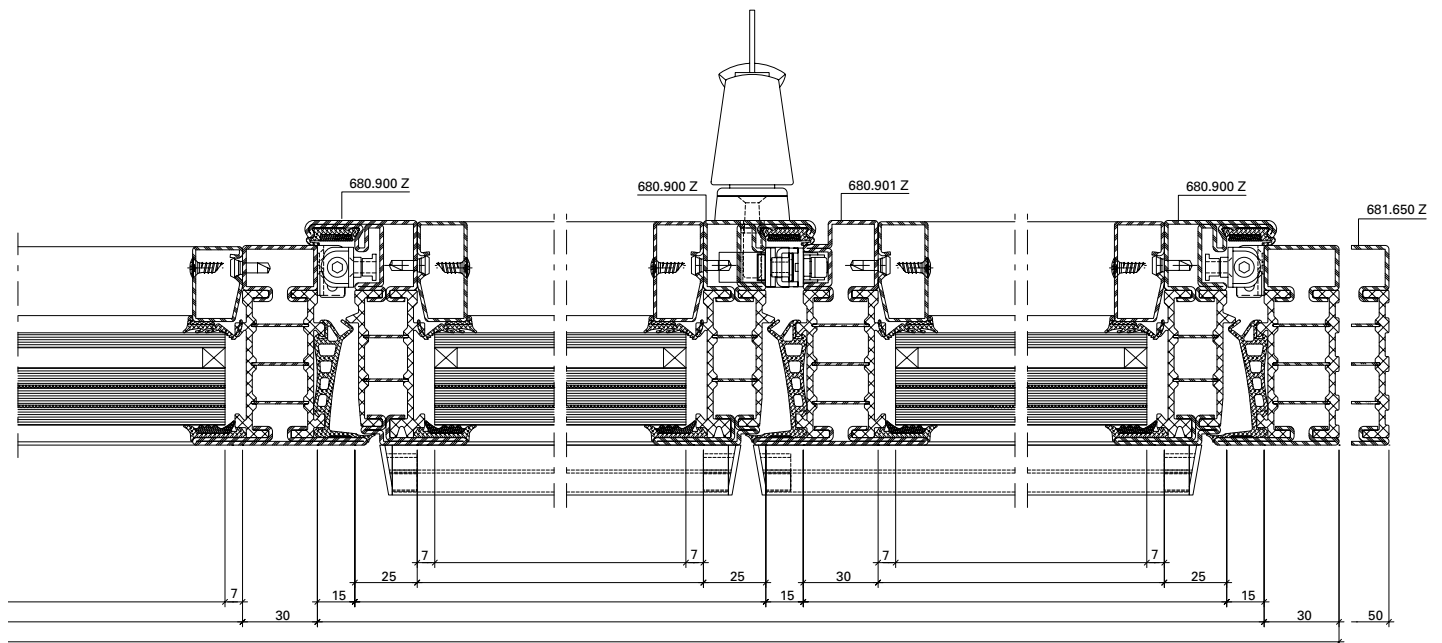
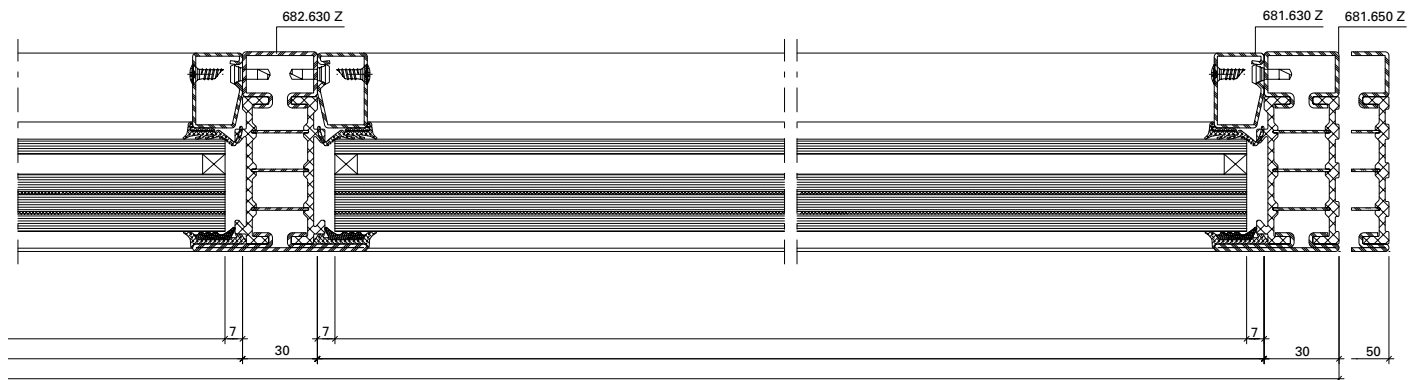
C - C

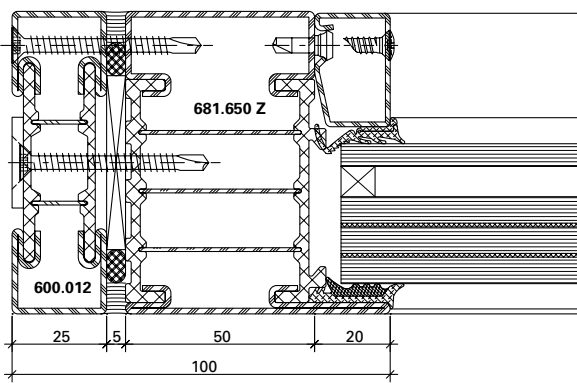
B - B







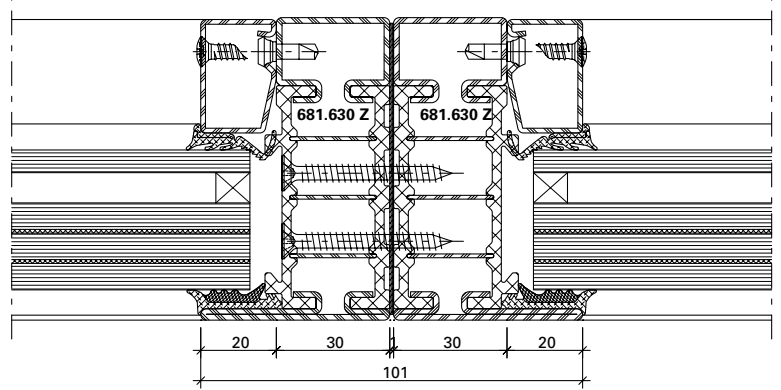




DXF

DWG

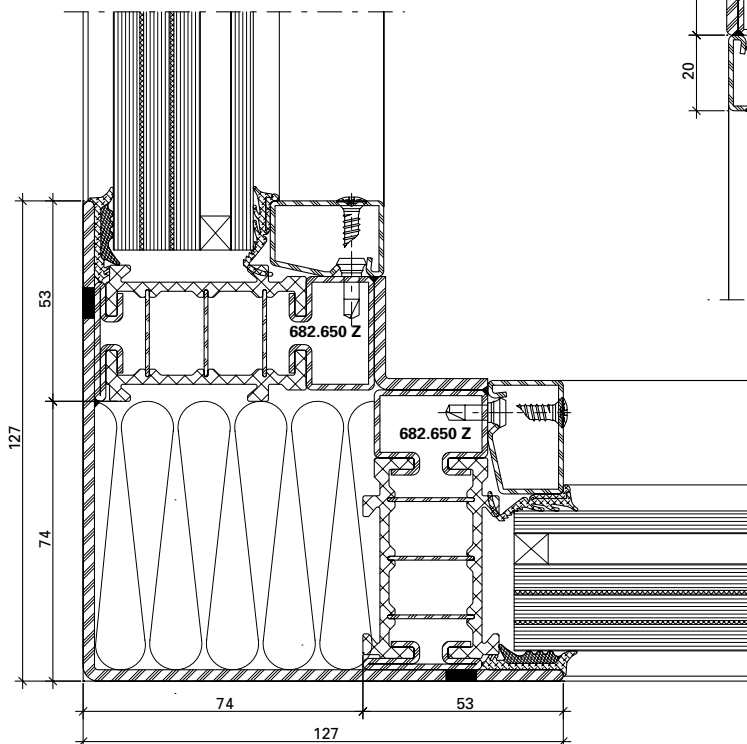
12-0202-K-001



DXF

DWG

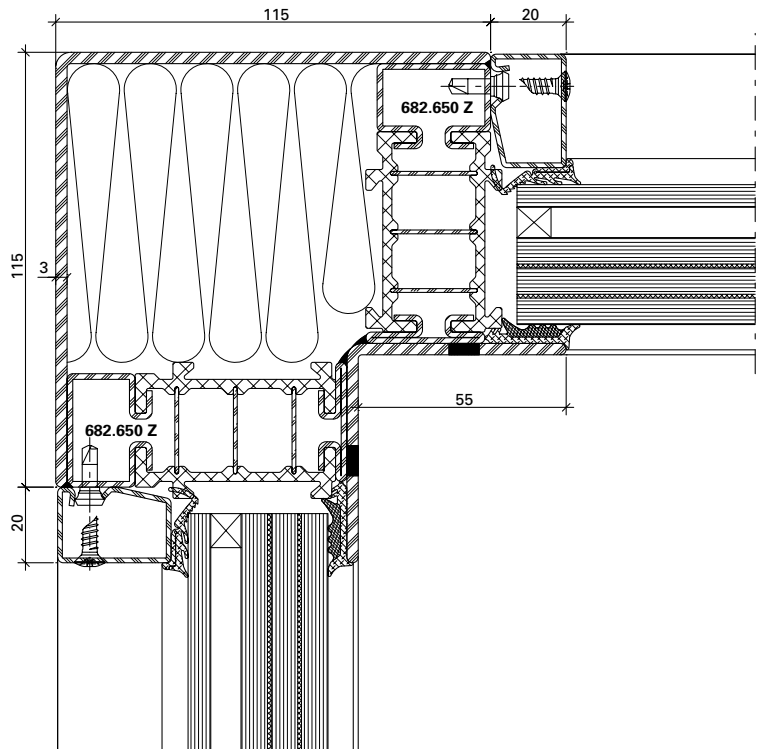
12-0202-K-002



DXF

DWG

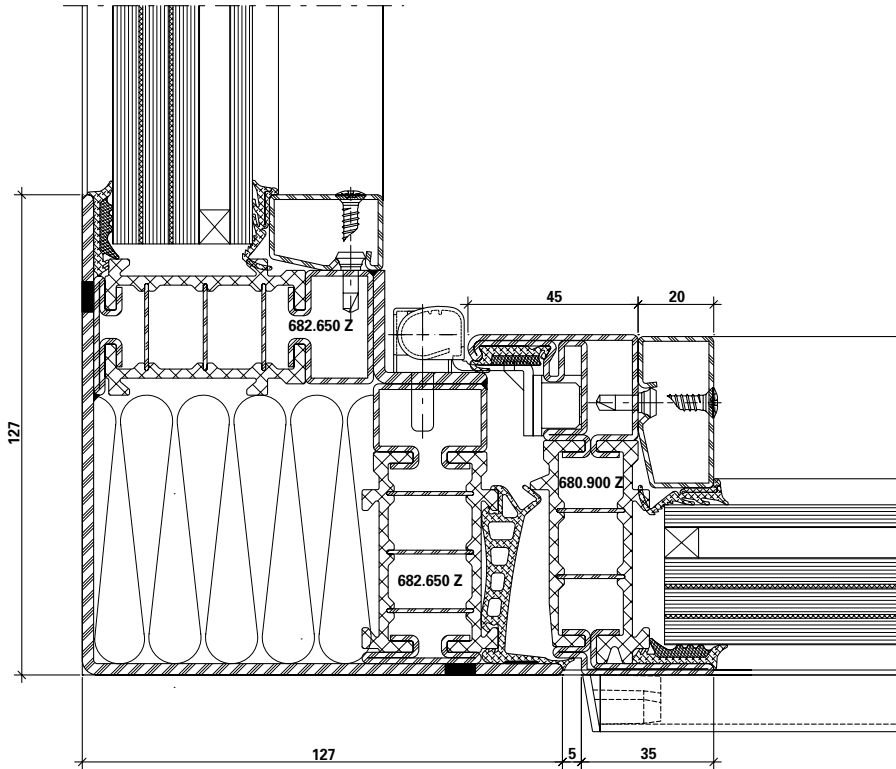
12-0202-K-005



DXF

DWG

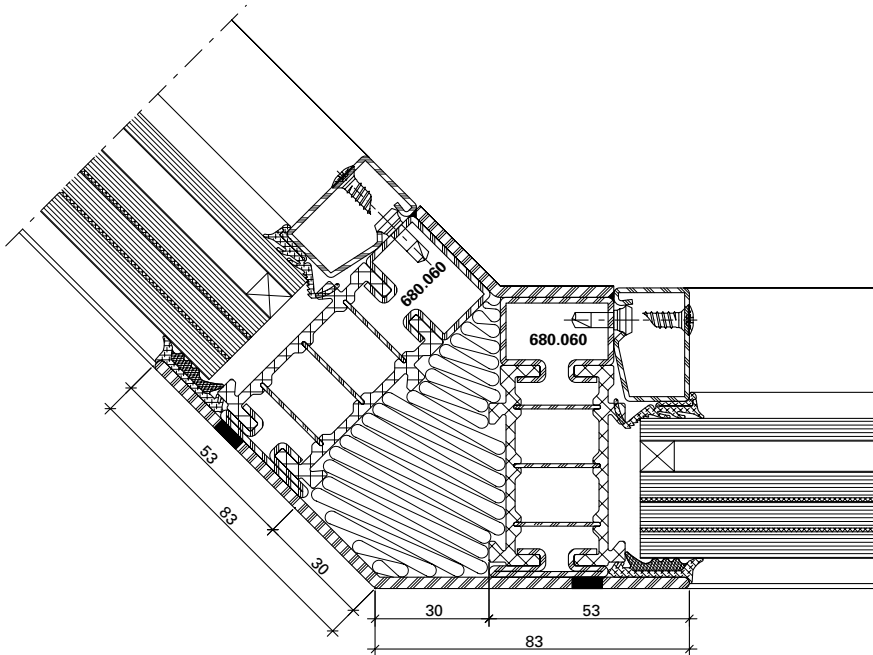
12-0202-K-006



DXF

DWG

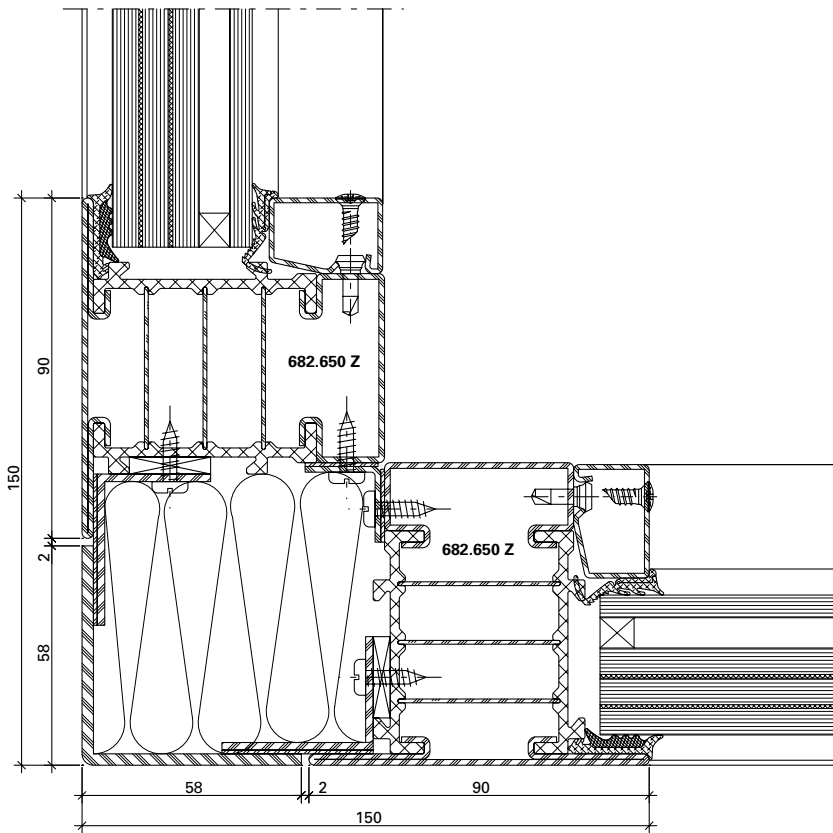
12-0202-K-009



DXF

DWG

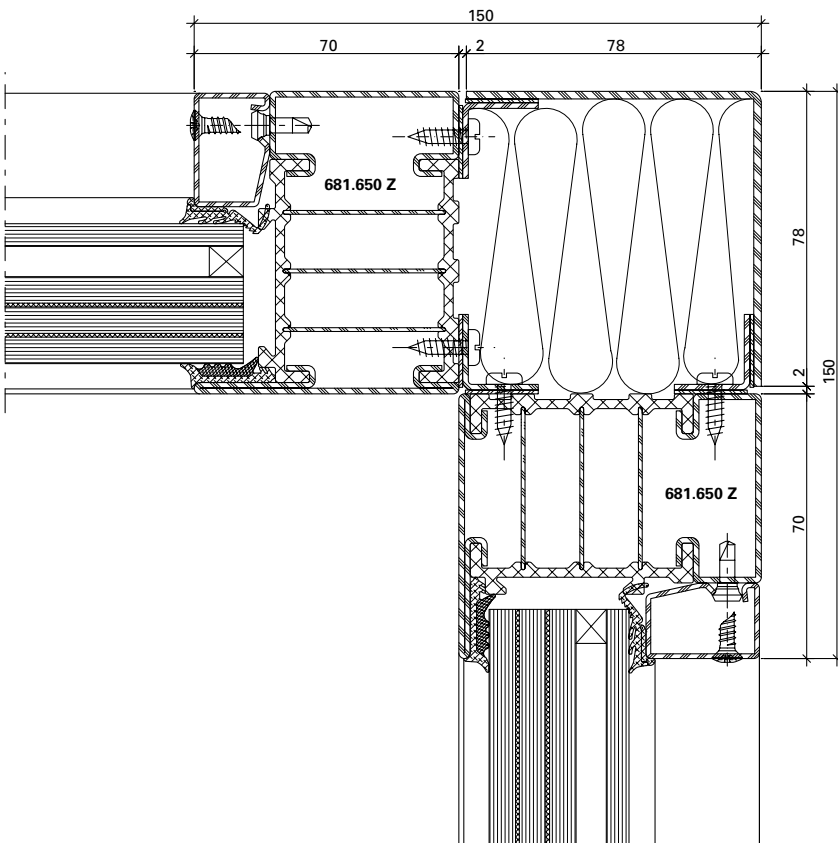
12-0202-K-010



DXF

DWG

12-0202-K-003

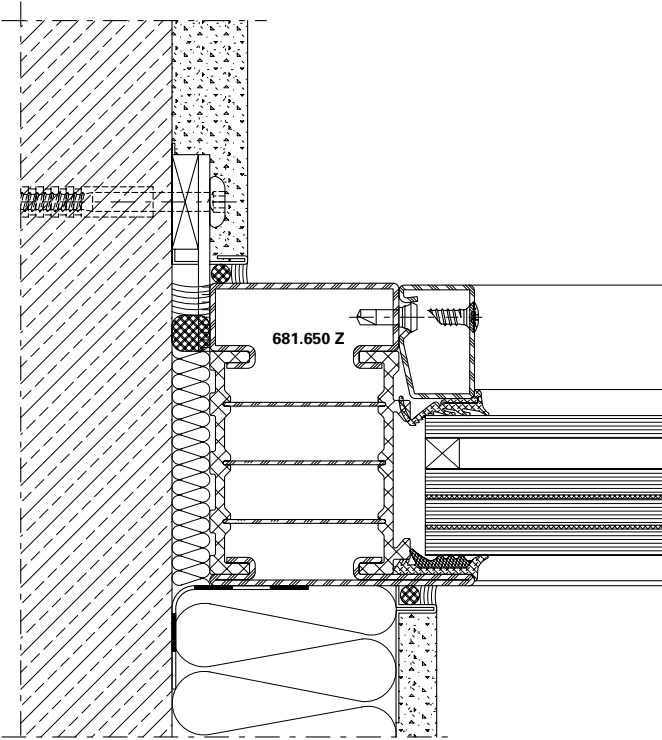


DXF

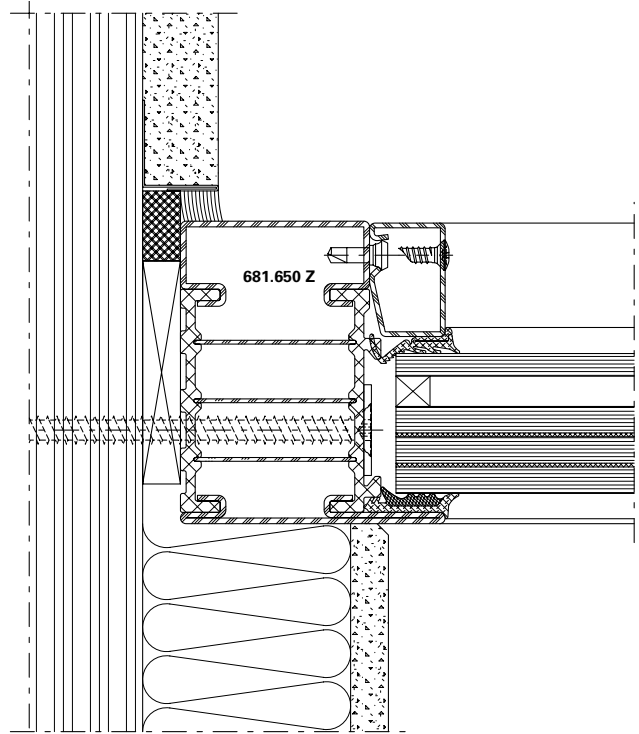
DWG

12-0202-K-004

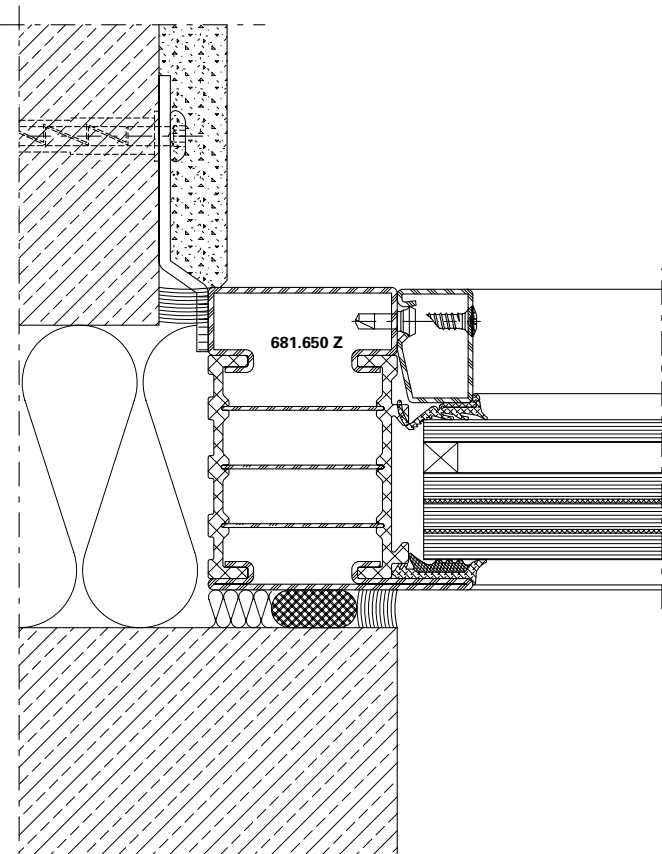




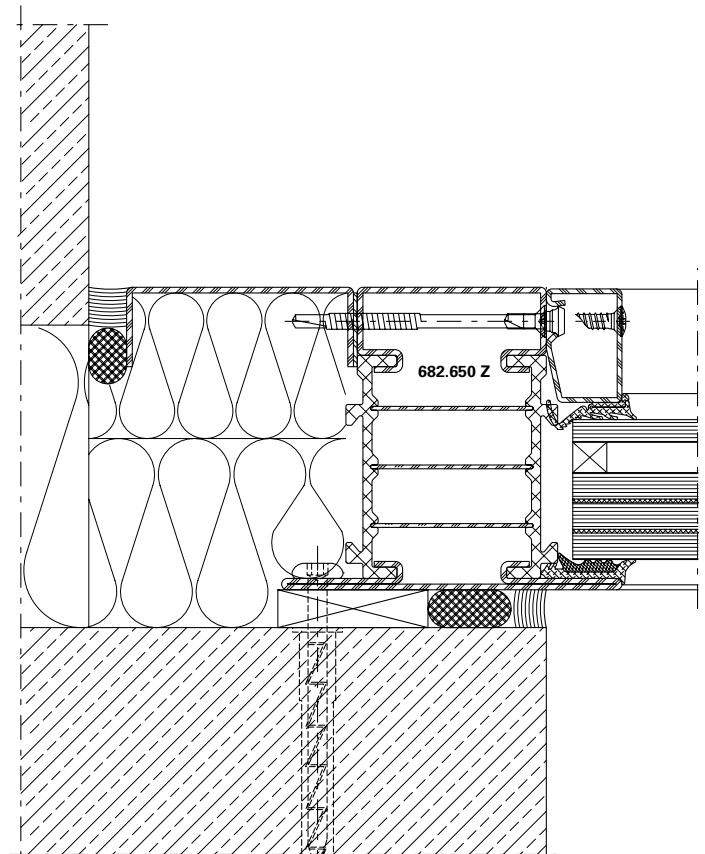
DXF DWG 12-0202-A-002



DXF DWG 12-0202-A-016



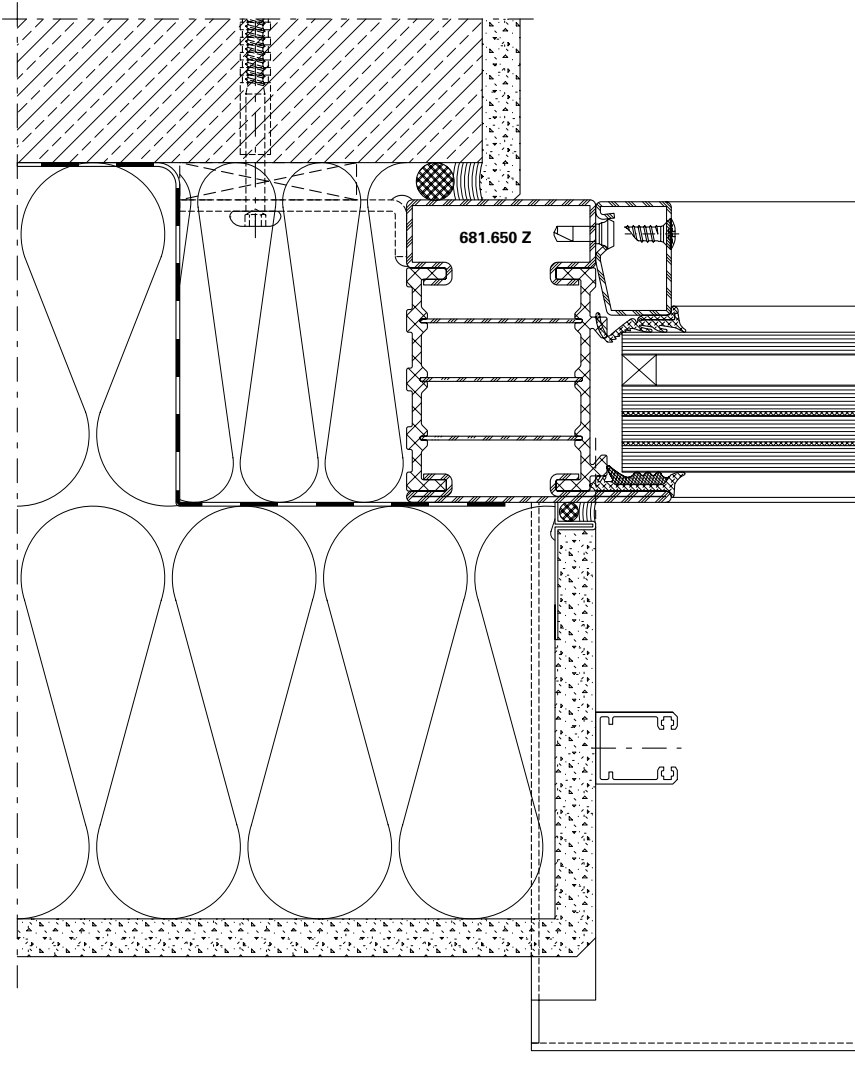
DXF DWG 12-0202-A-004



DXF DWG 12-0202-A-005

Anschlüsse am Bau im Massstab 1:2  
Raccords au mur à l'échelle 1:2  
Attachment to structure on scale 1:2

Janisol HI RC Fenster  
Janisol HI RC fenêtres  
Janisol HI RC windows



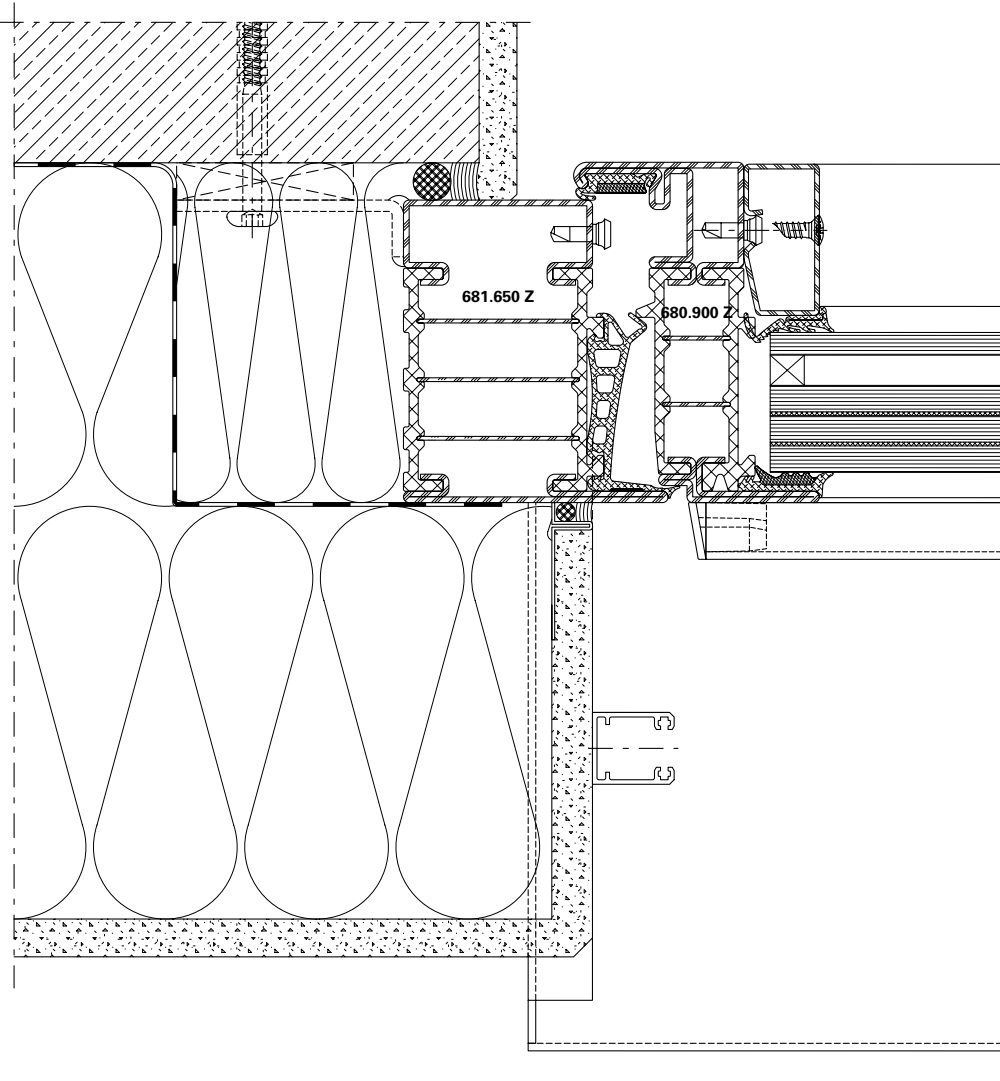
DXF

DWG

12-0202-A-001

Anschlüsse am Bau im Masstab 1:2  
Raccords au mur à l'échelle 1:2  
Attachment to structure on scale 1:2

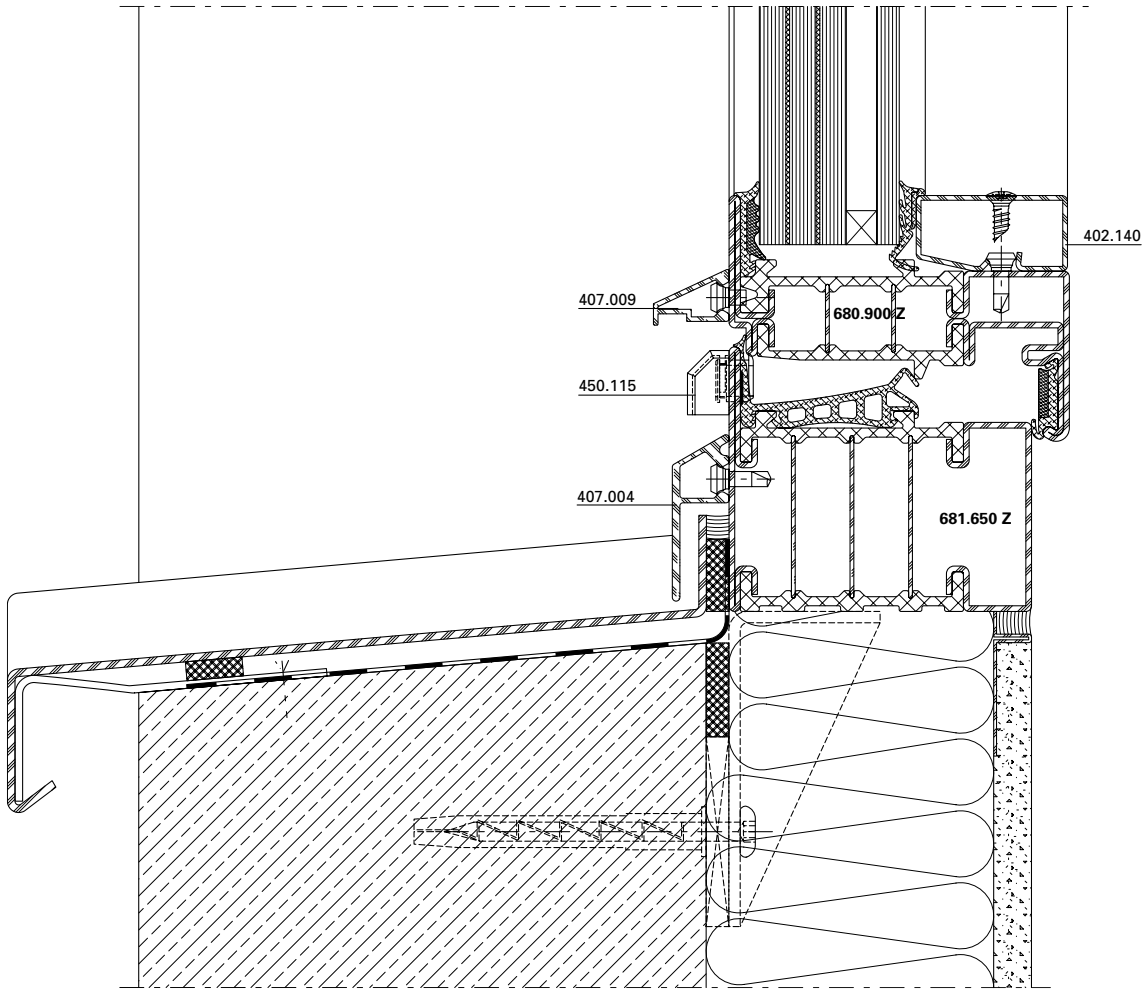
Janisol HI RC Fenster  
Janisol HI RC fenêtres  
Janisol HI RC windows



DXF

DWG

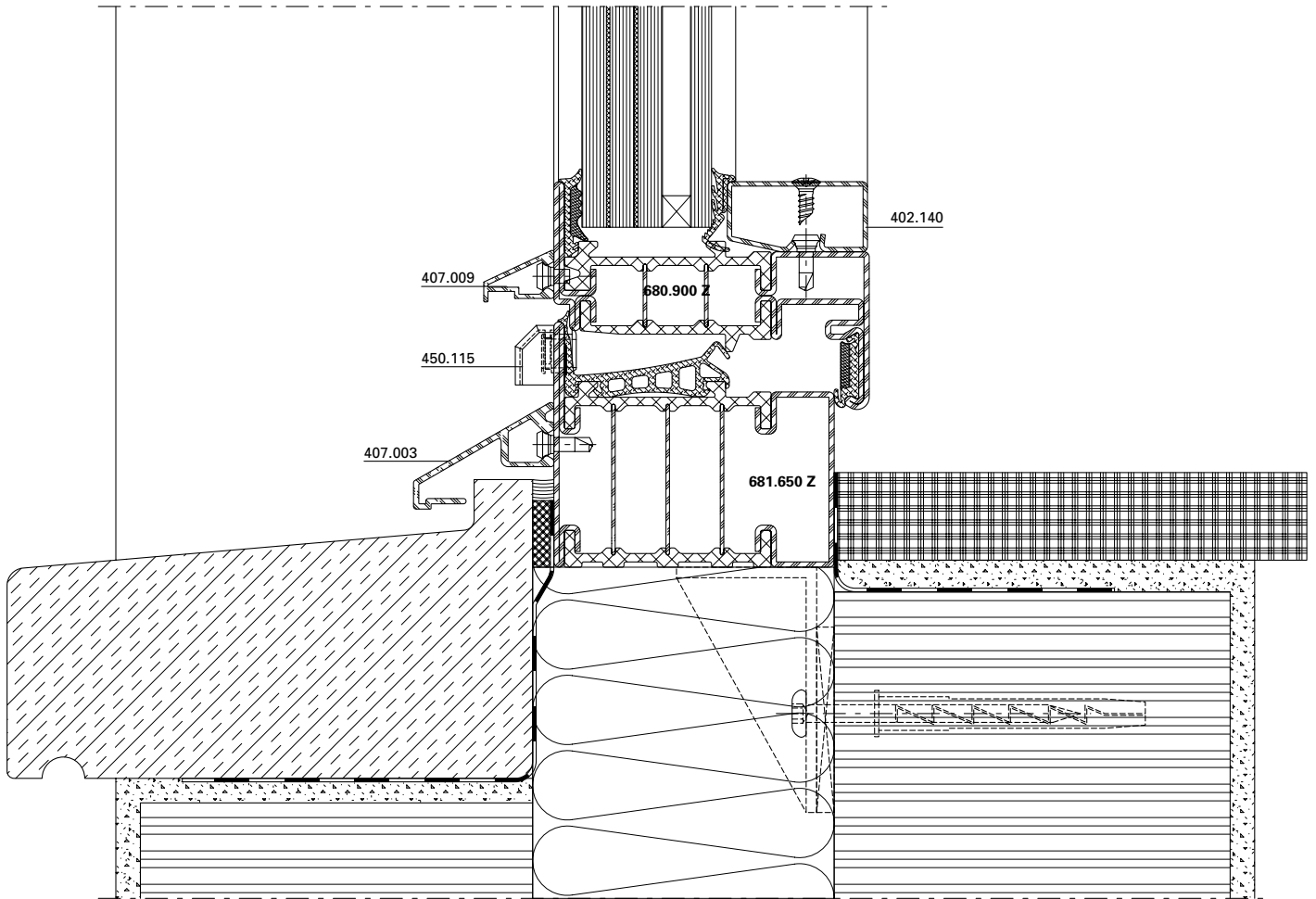
12-0202-A-003



DXF

DWG

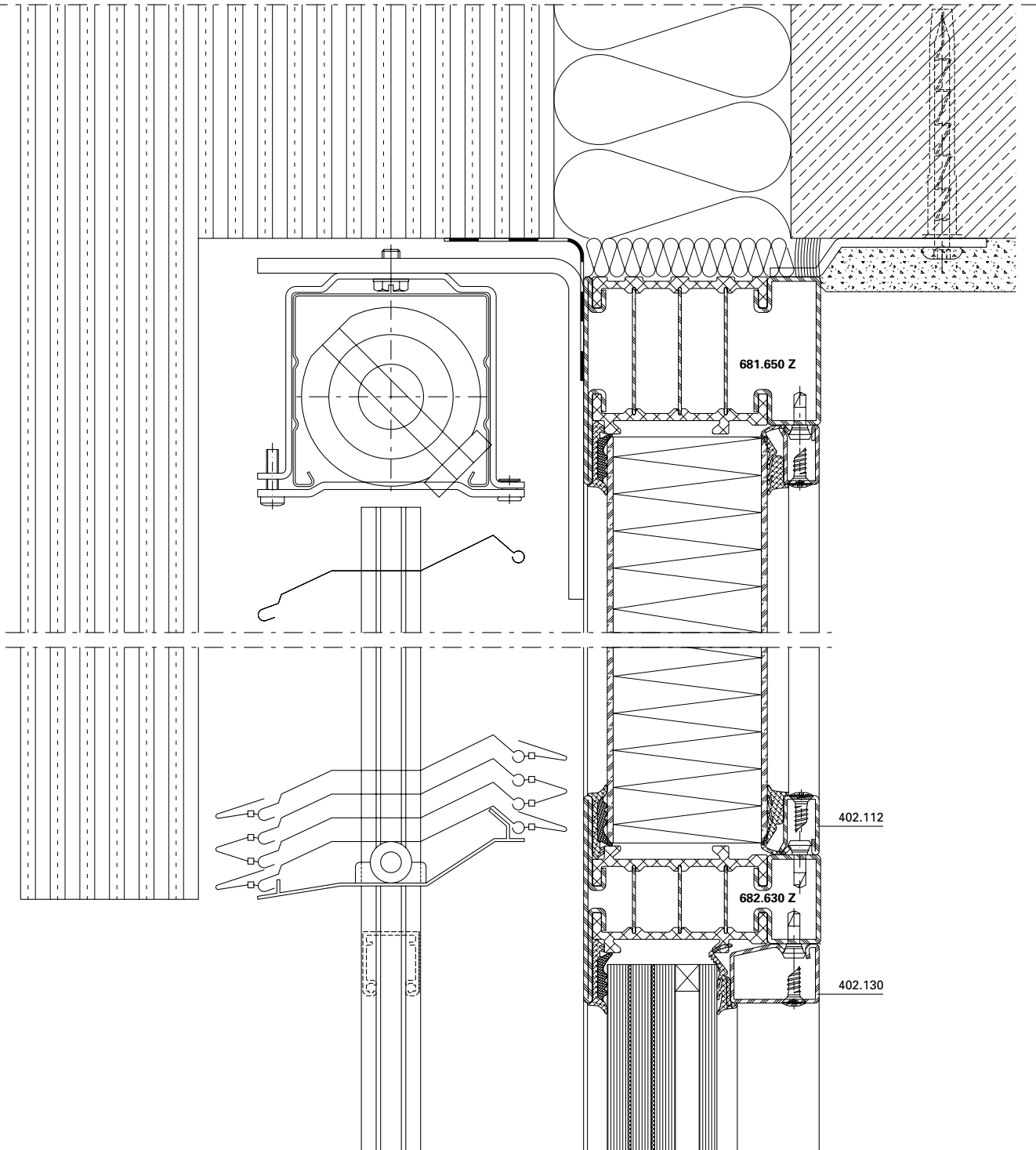
12-0202-A-014



DXF

DWG

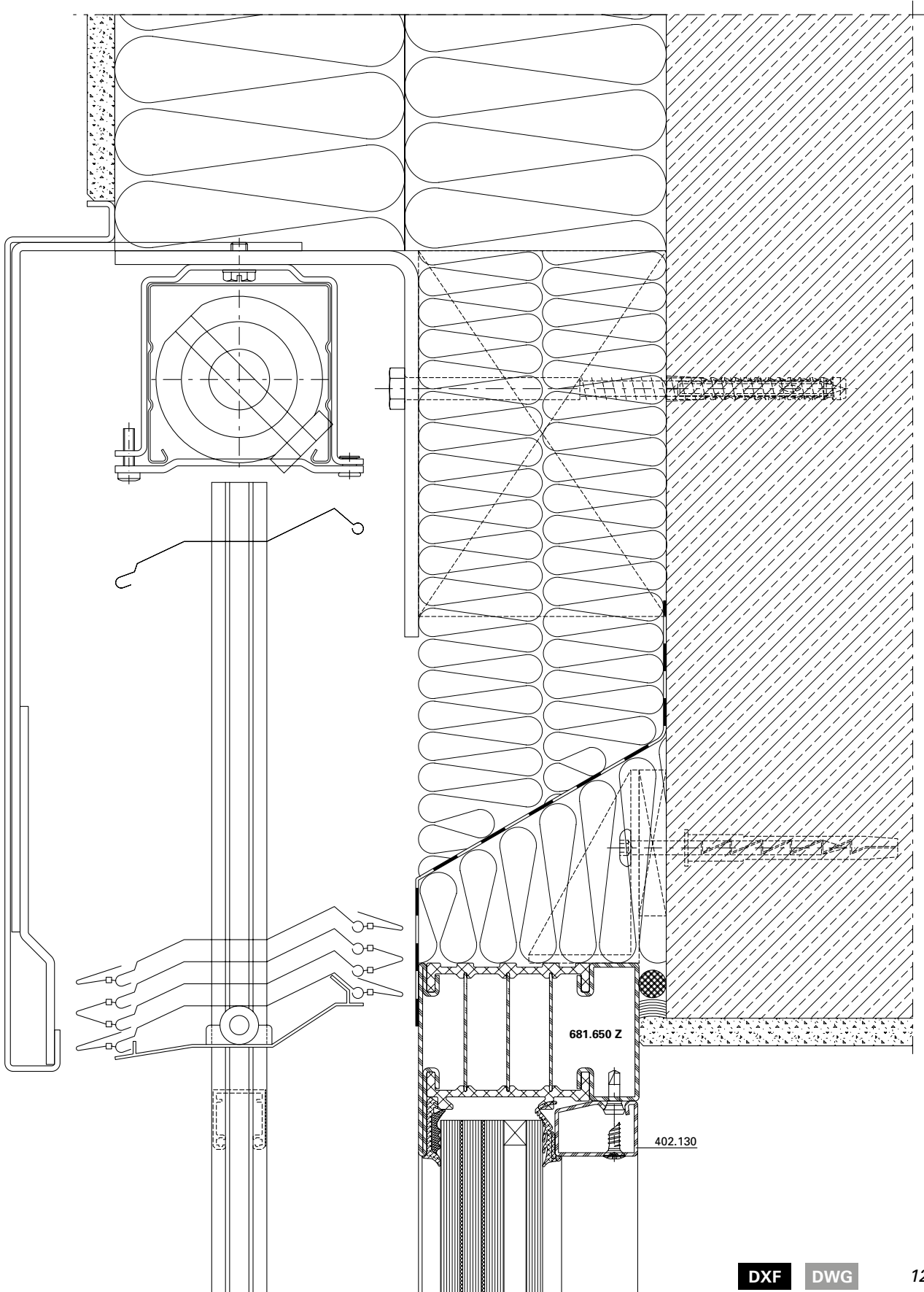
12-0202-A-012



DXF

DWG

12-0202-A-010



DXF

DWG

12-0202-A-011