



CAD-Bibliothek
CAD Library

Stahl-Systeme

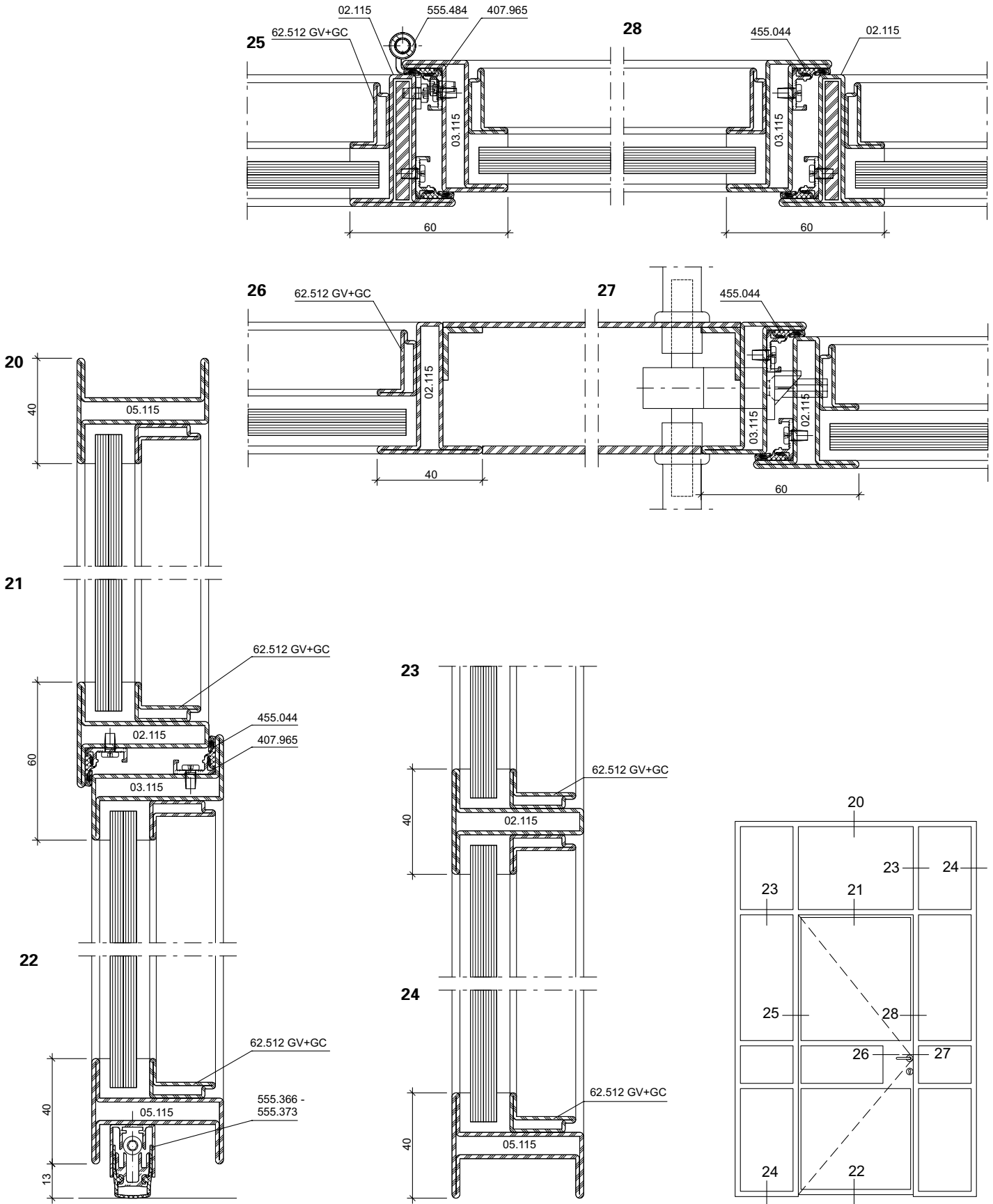
Türsysteme

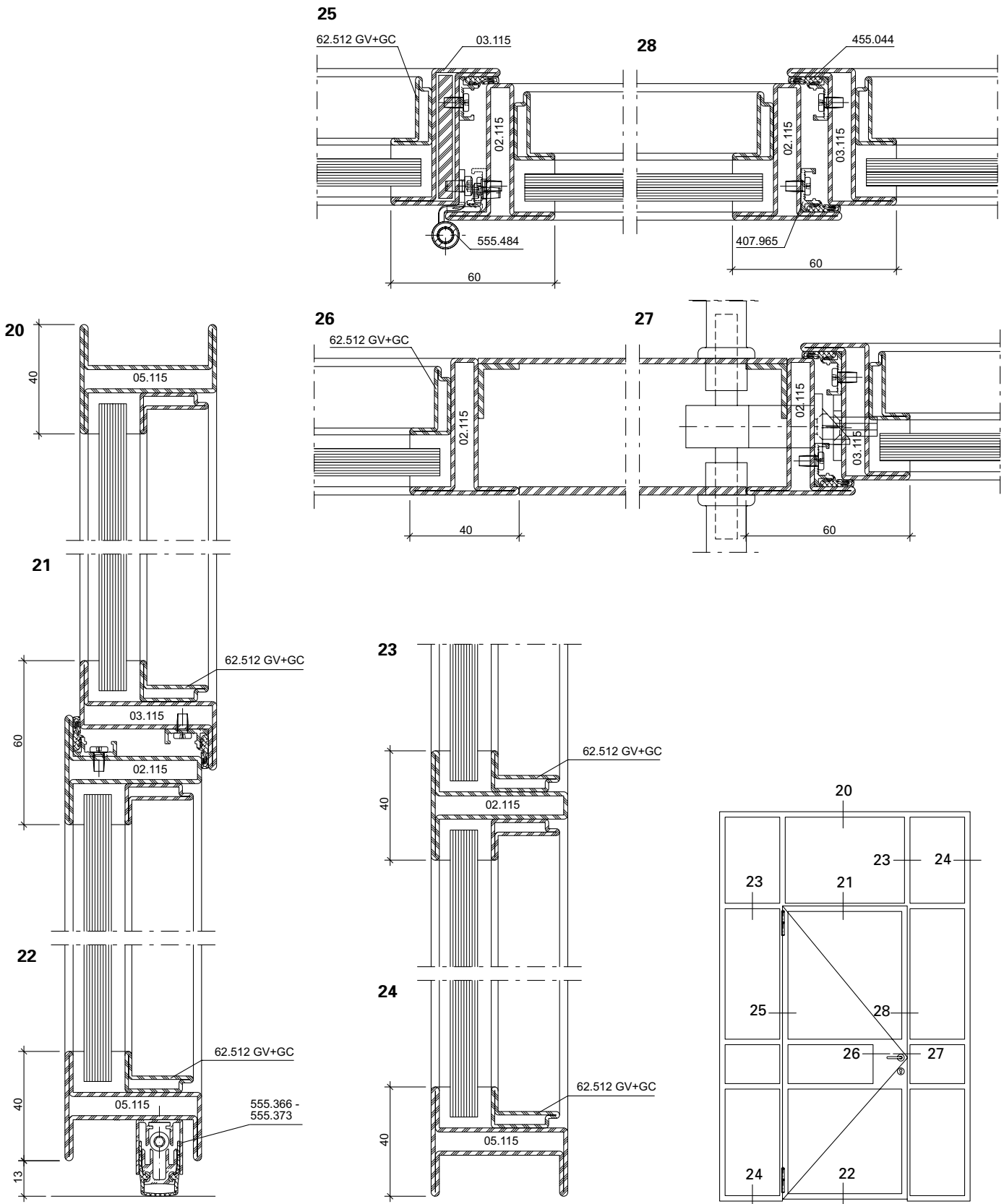
Jansen Art'15

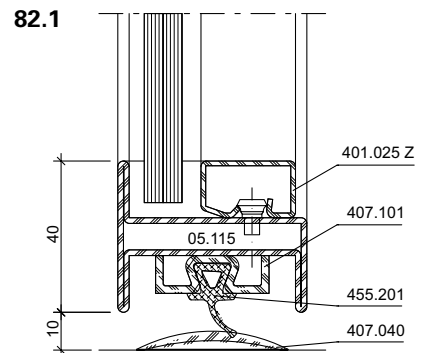
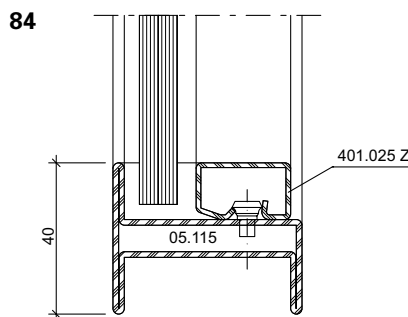
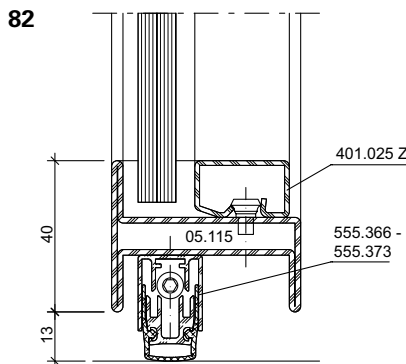
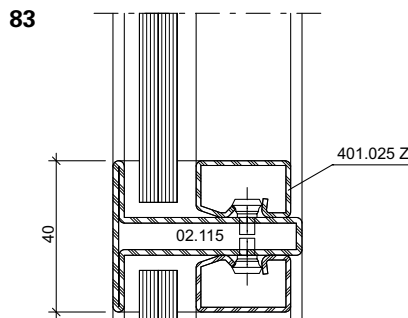
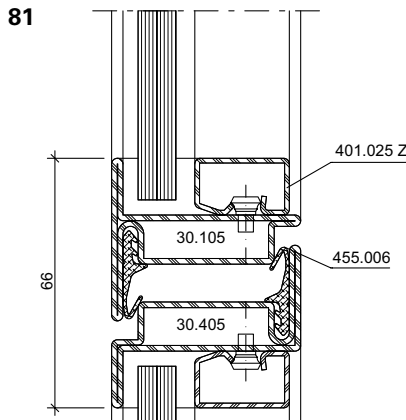
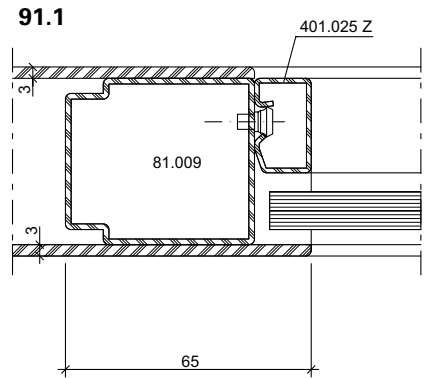
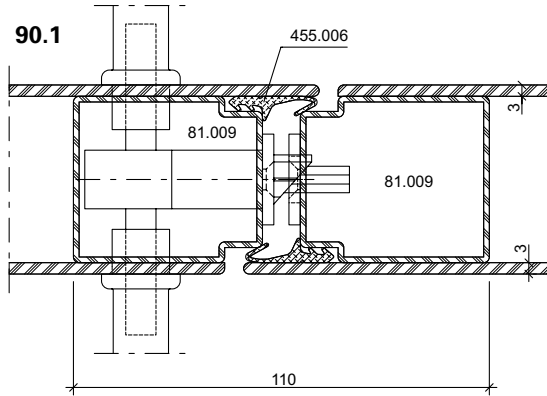
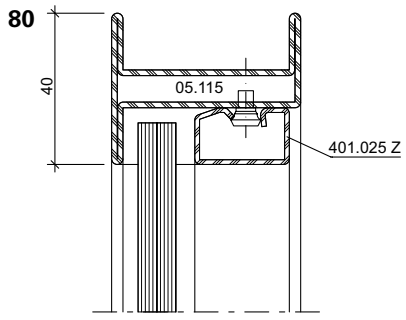
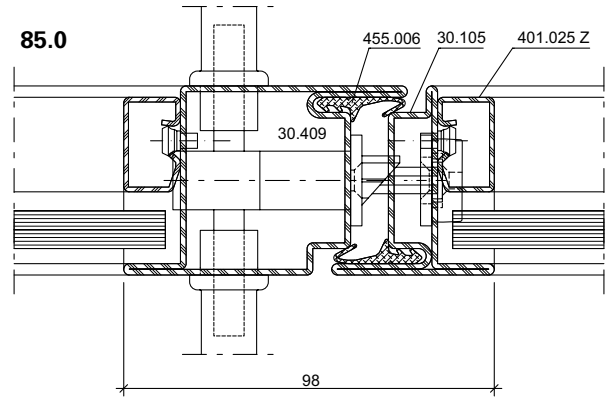
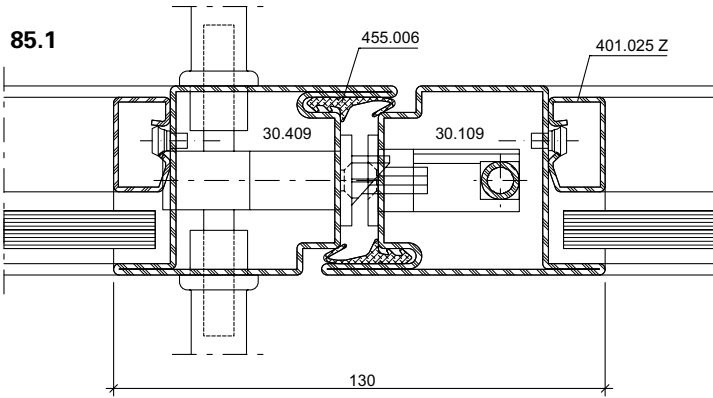
Steel Systems

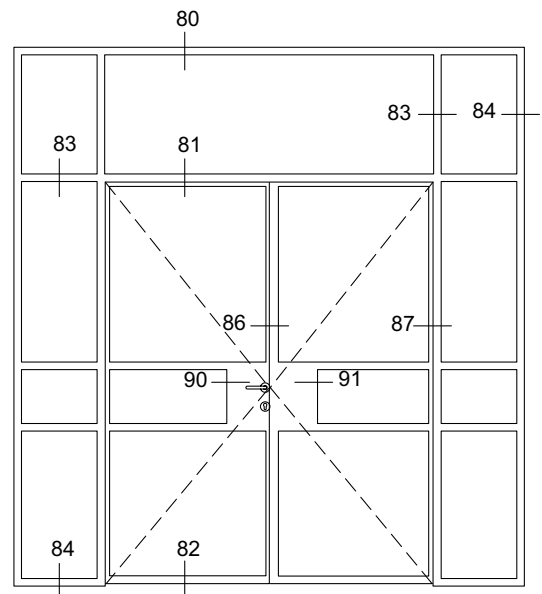
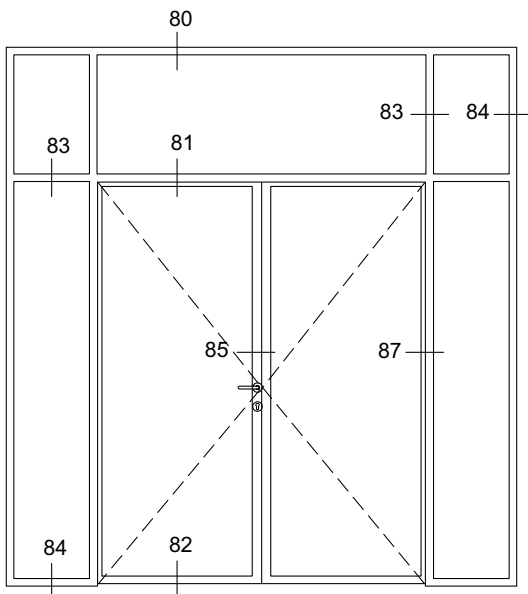
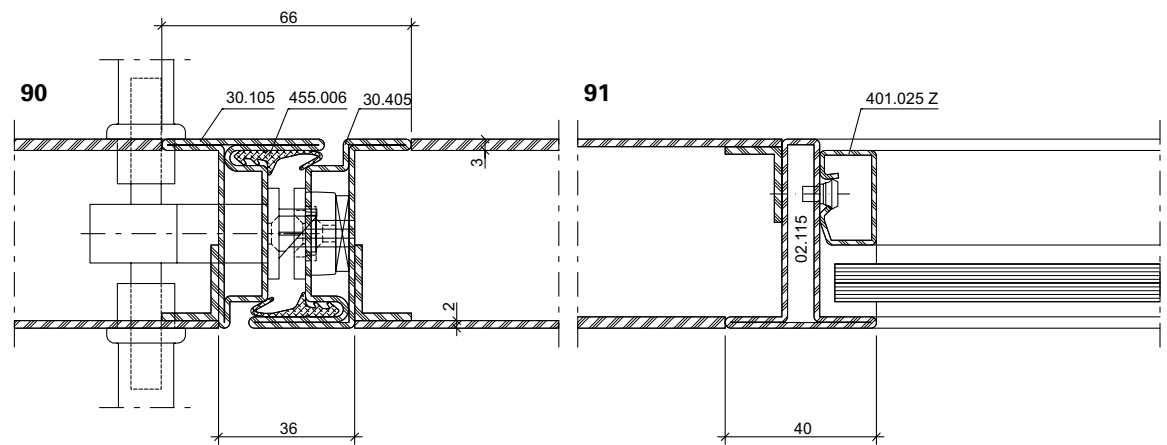
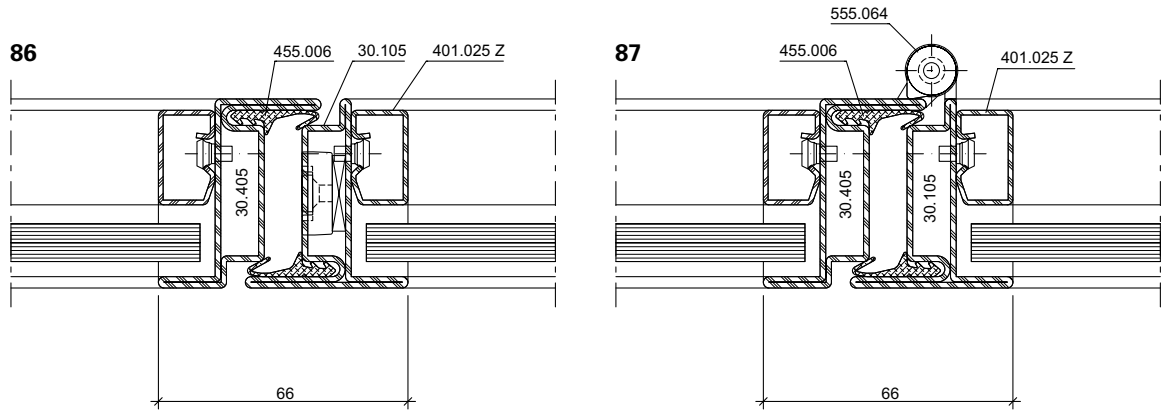
Door Systems

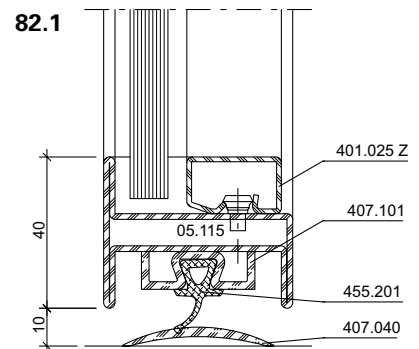
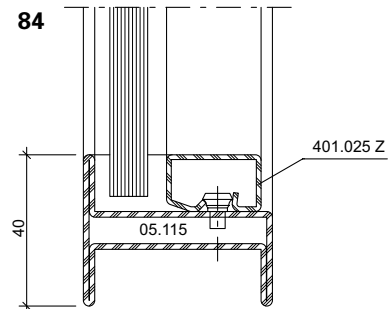
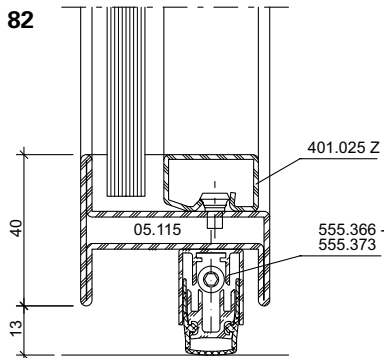
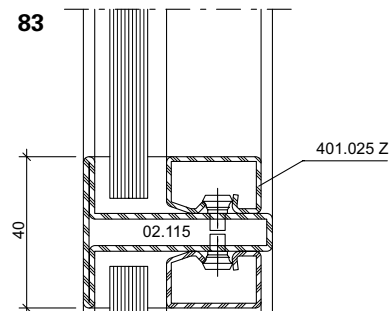
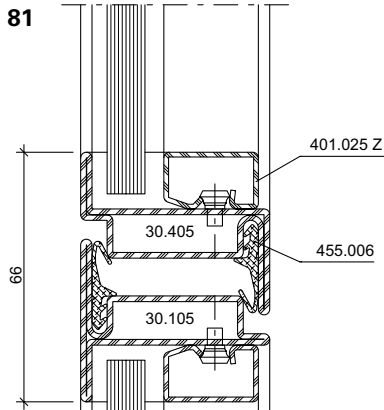
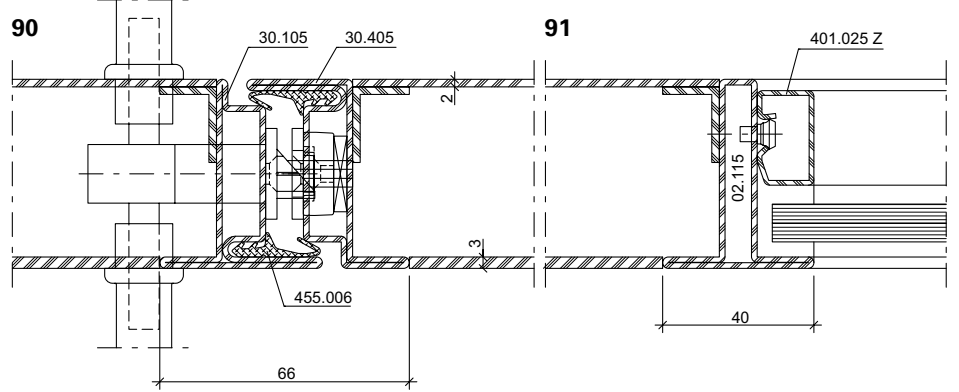
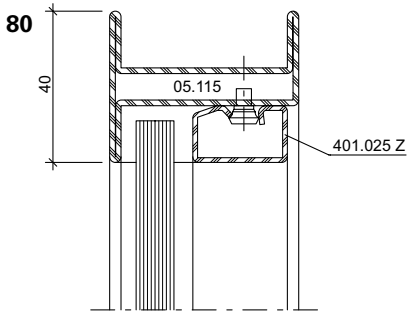
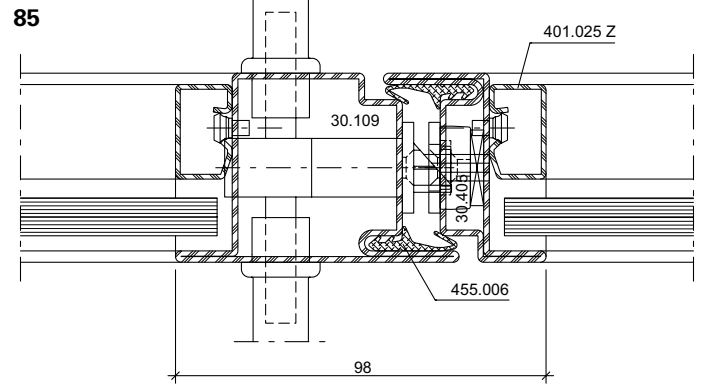
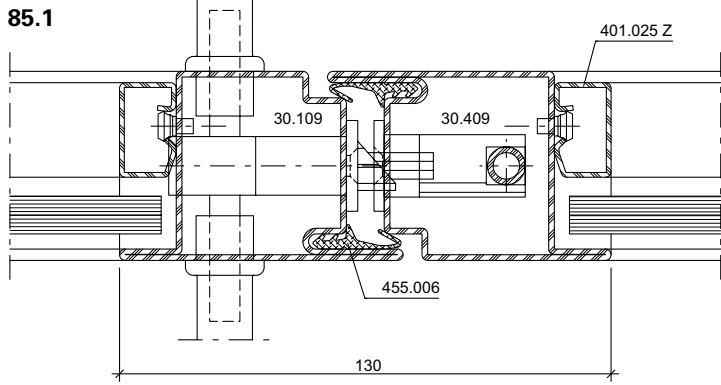
Jansen Art'15

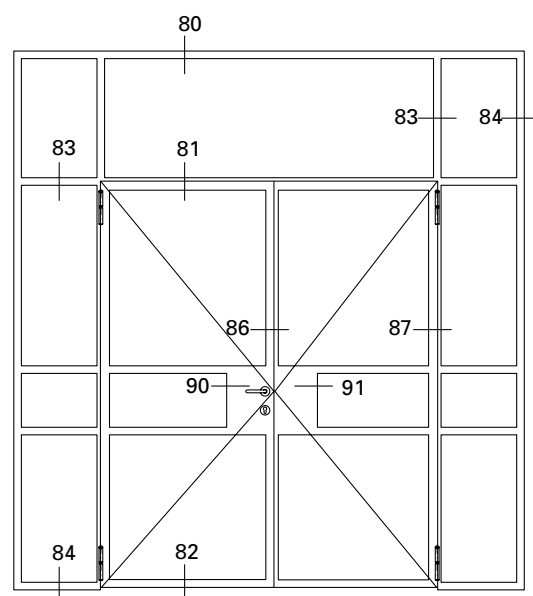
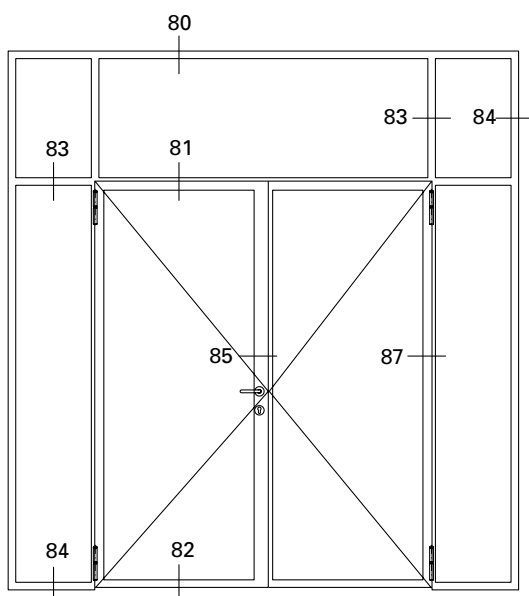
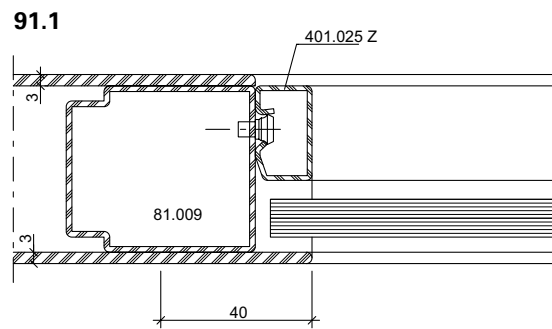
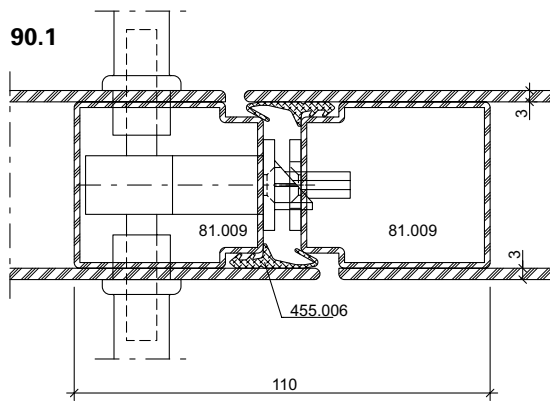
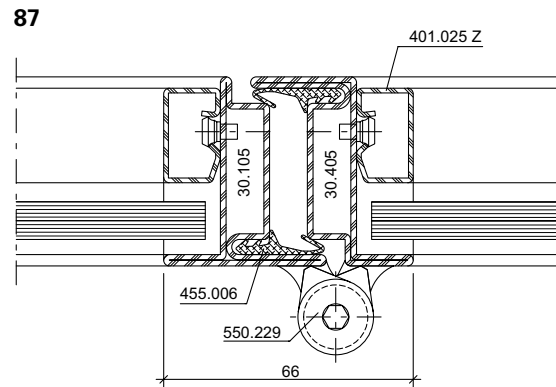
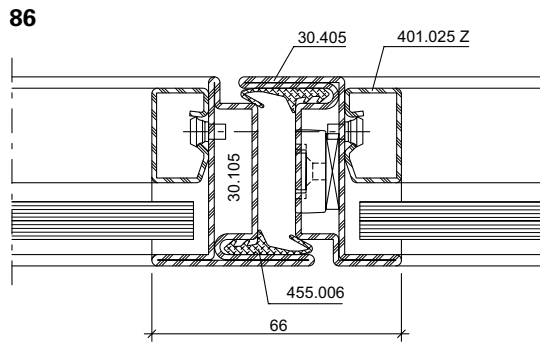


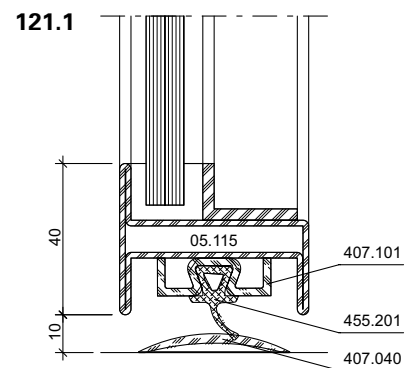
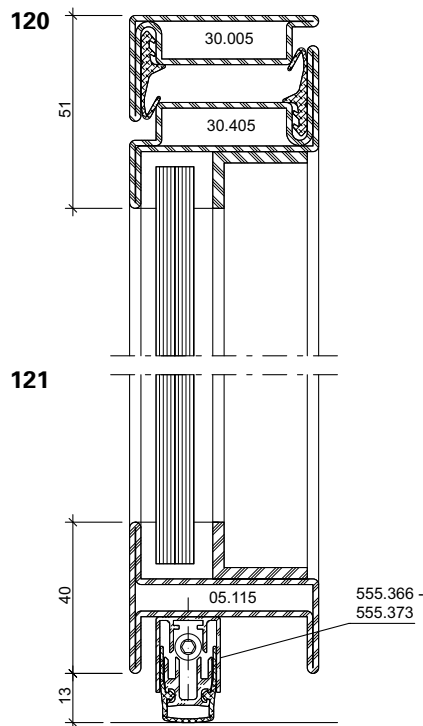
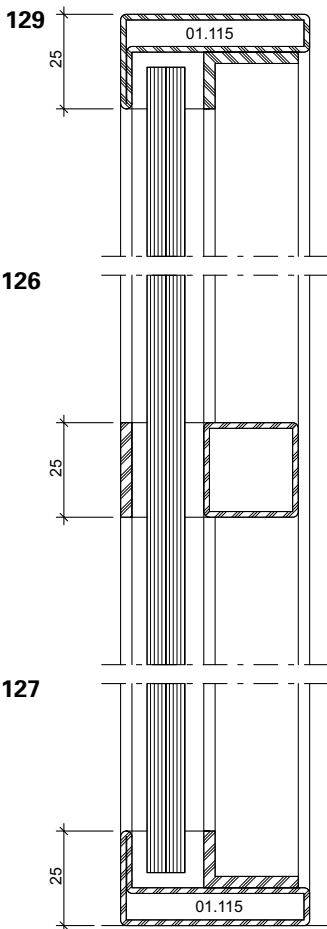
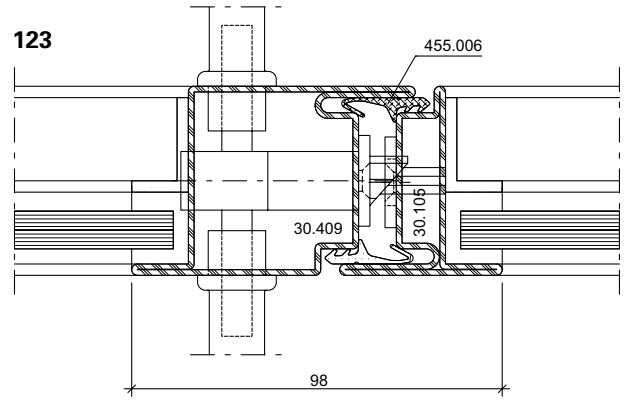
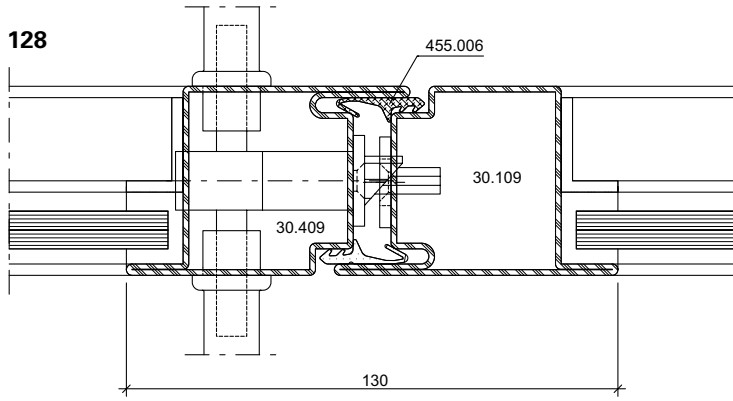


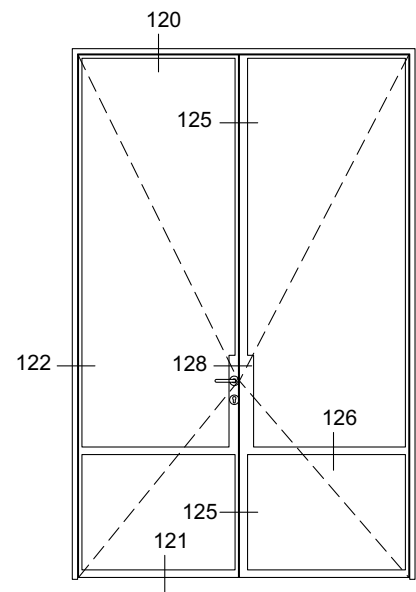
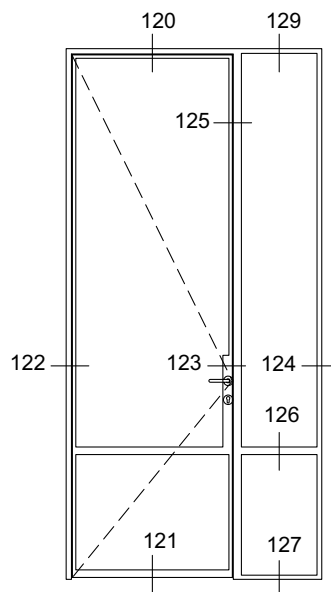
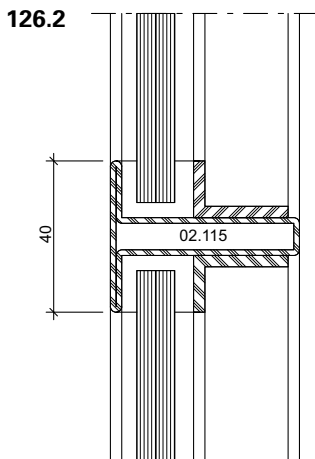
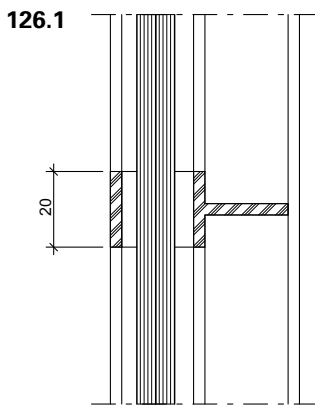
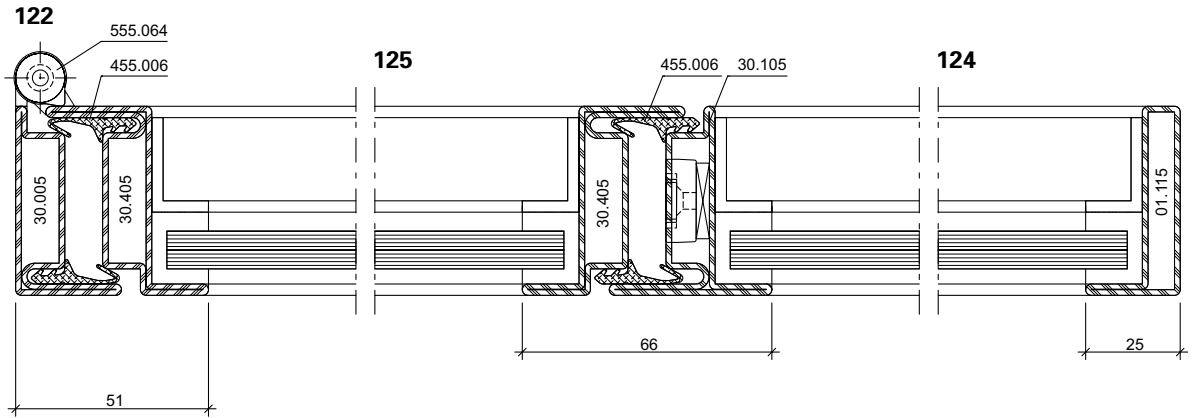


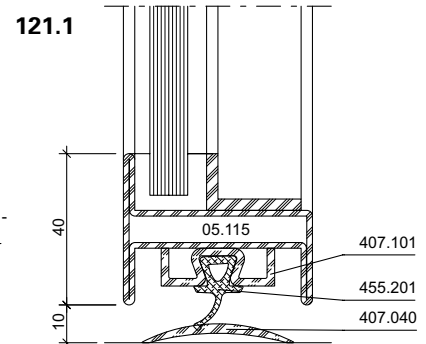
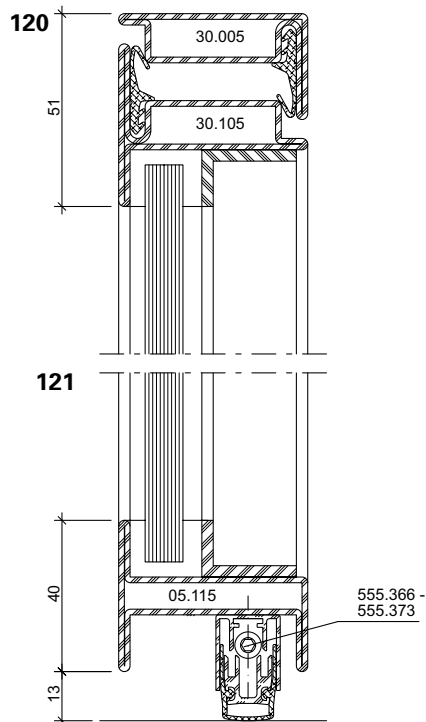
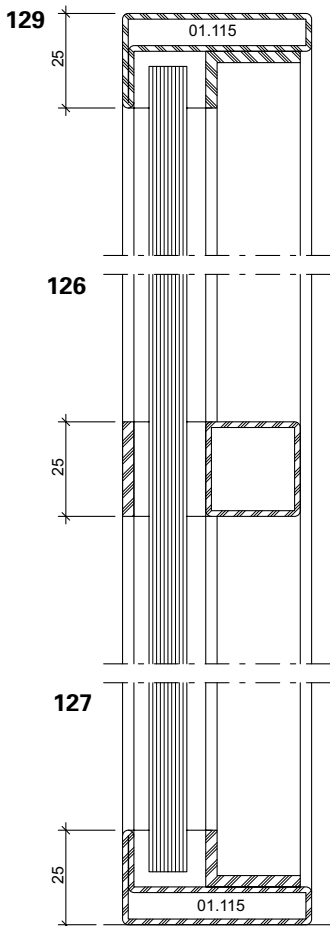
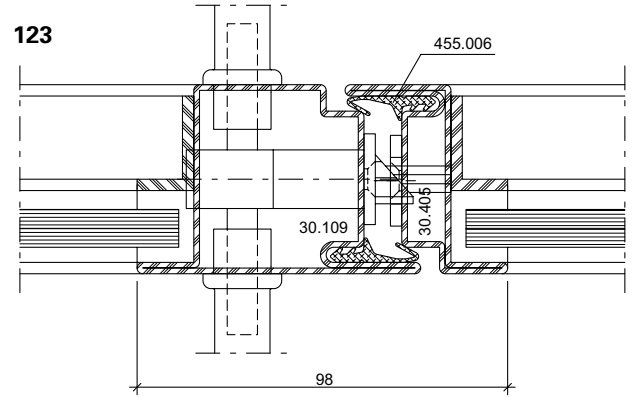
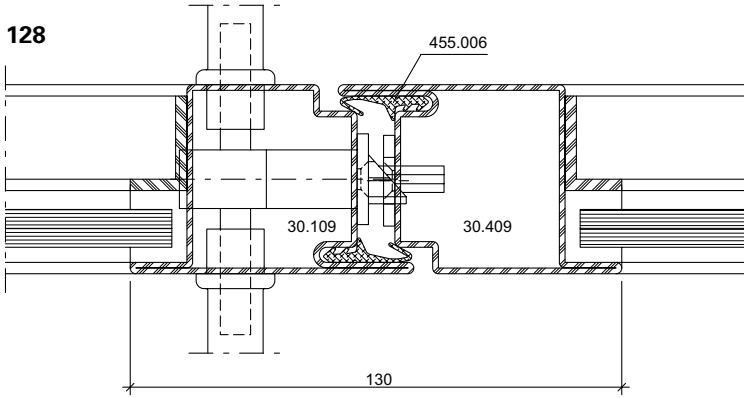


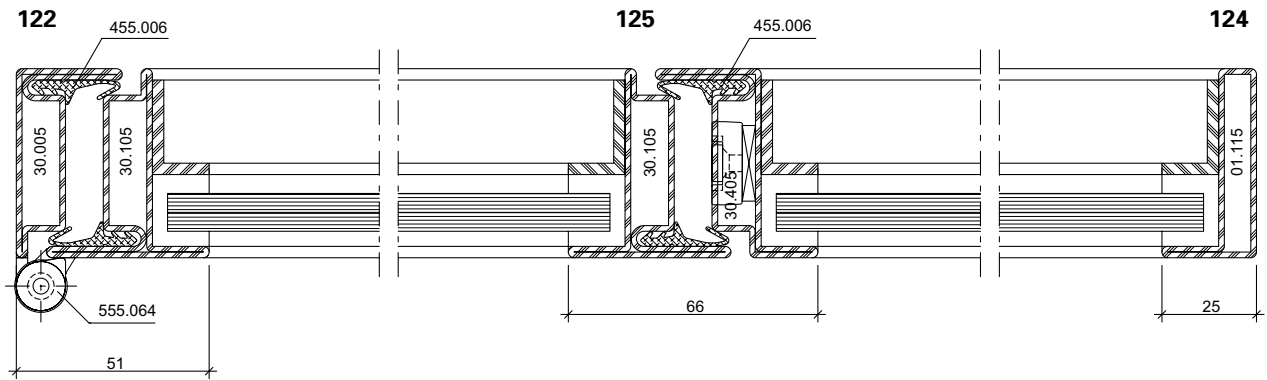




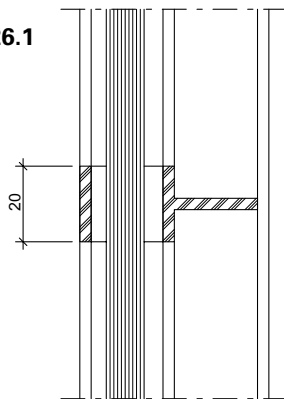




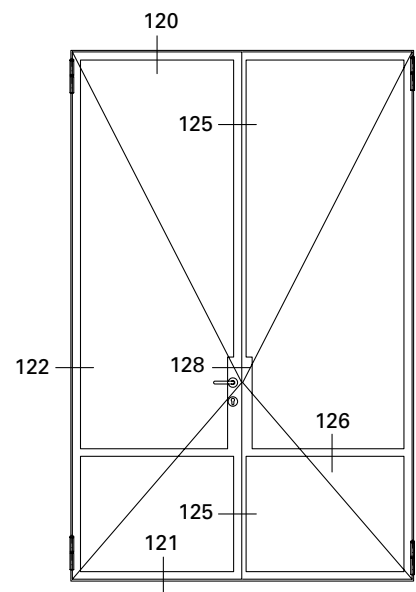
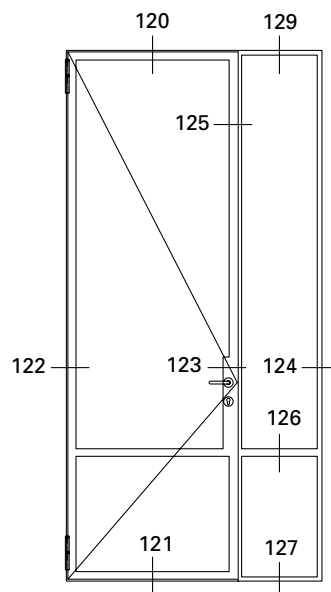
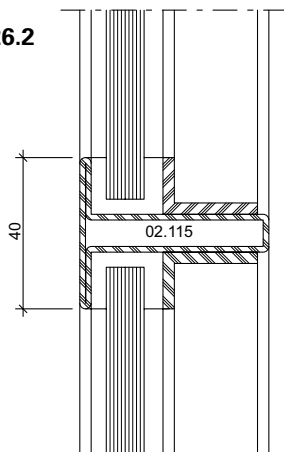


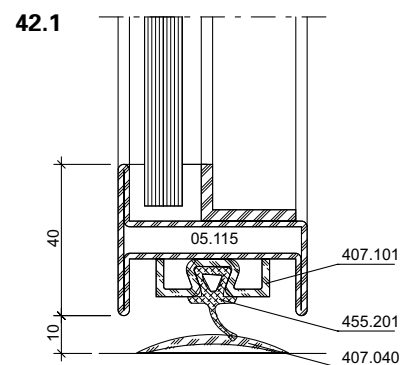
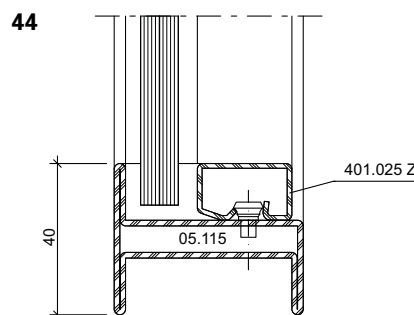
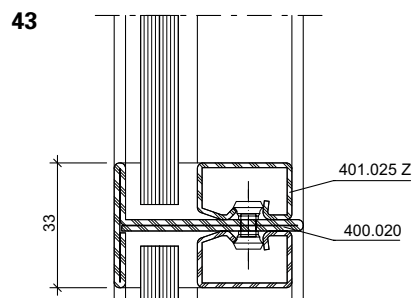
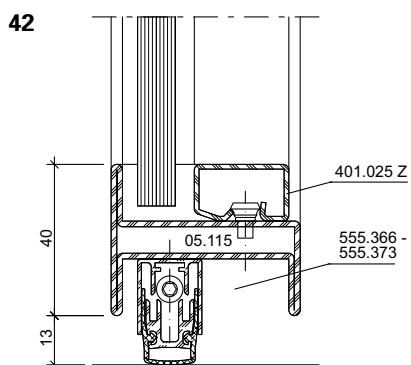
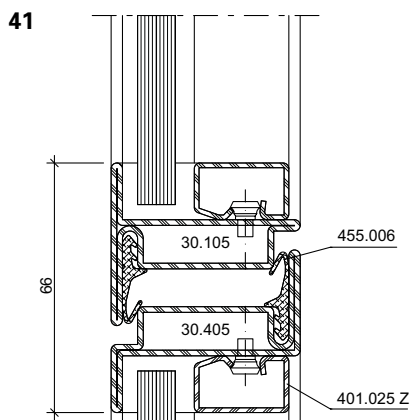
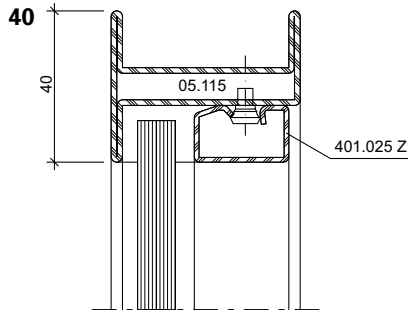


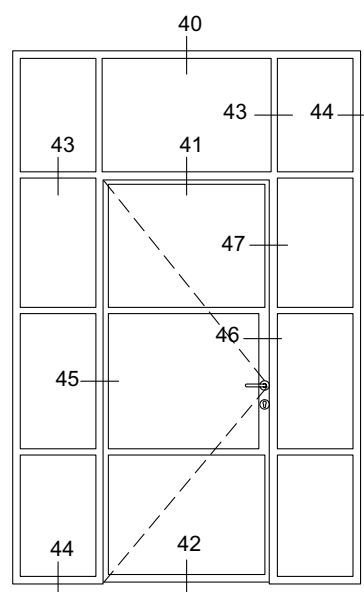
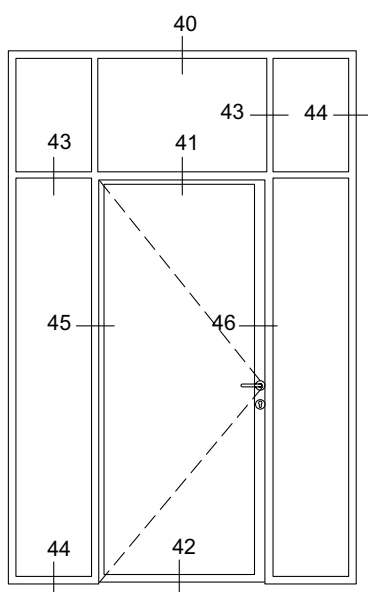
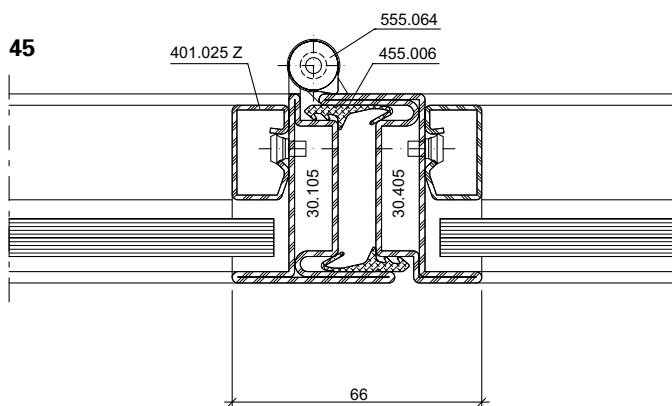
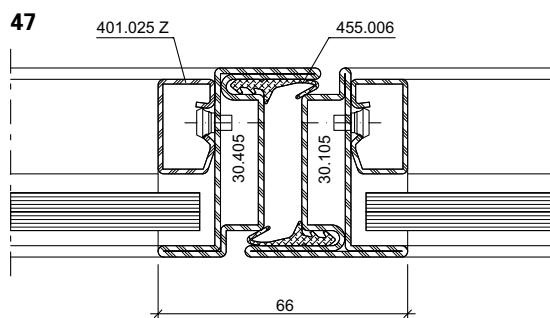
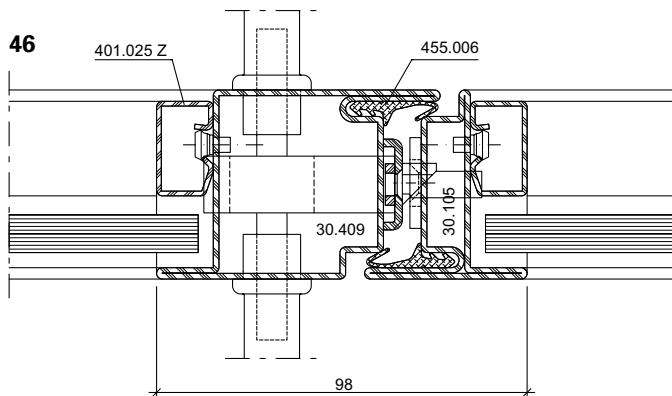
126.1

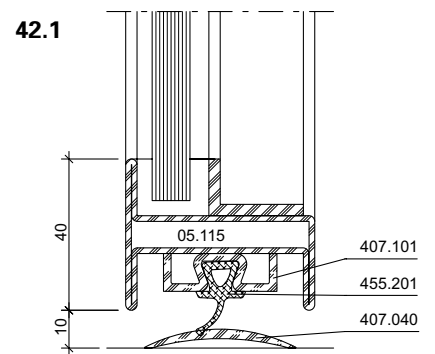
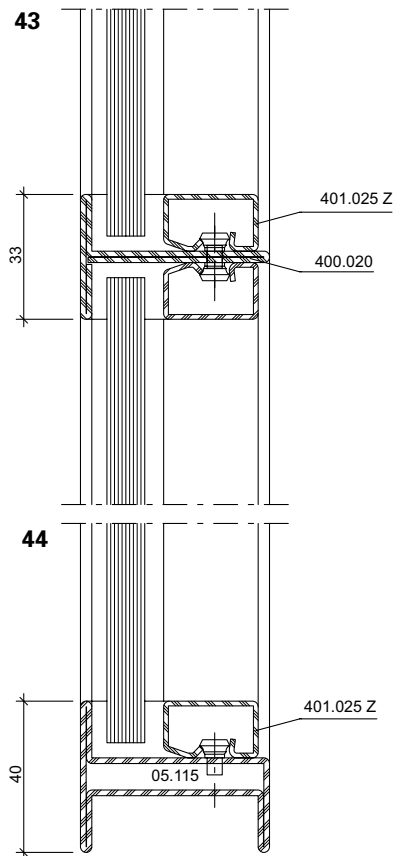
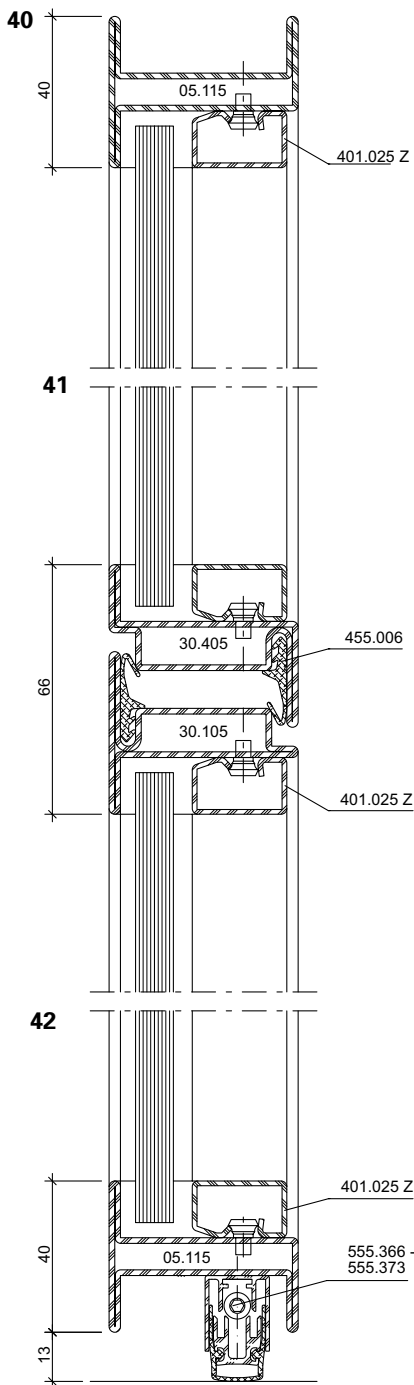


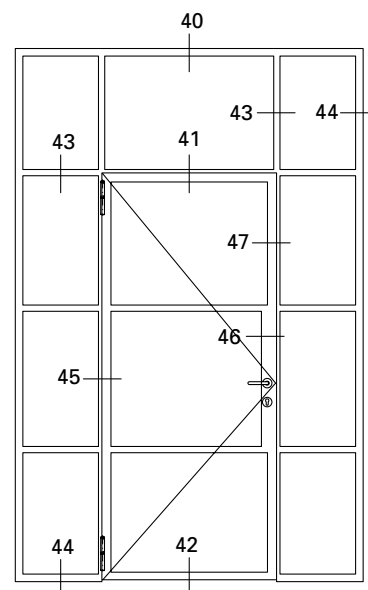
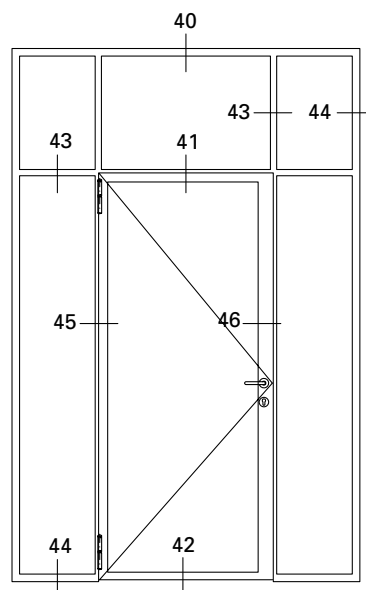
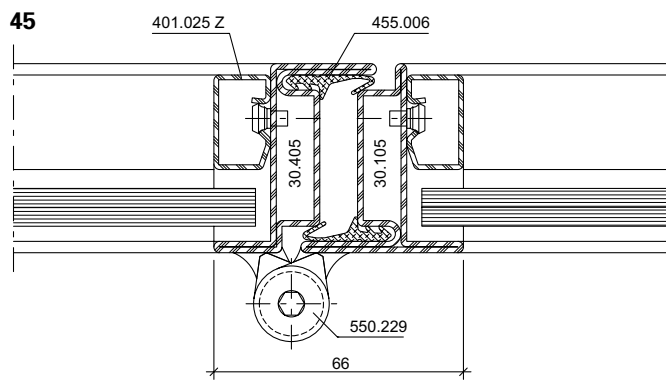
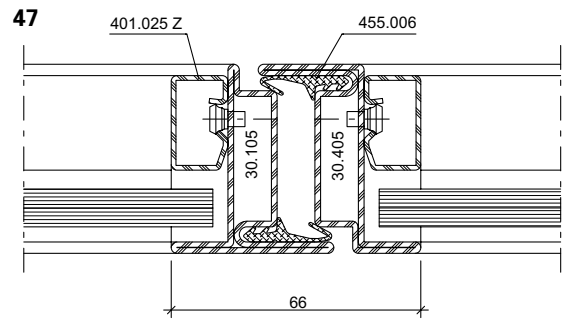
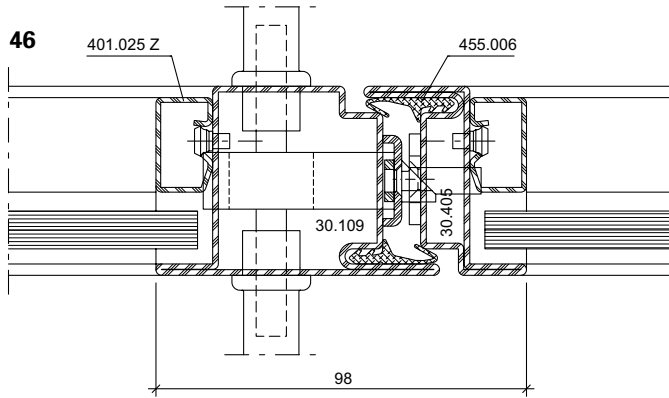
126.2

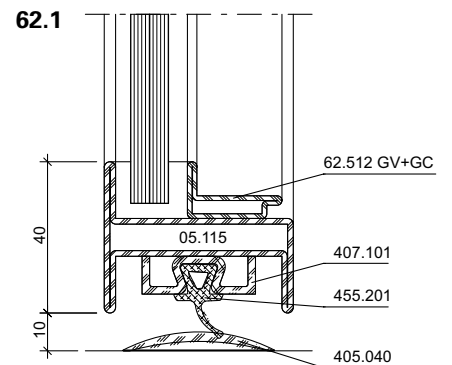
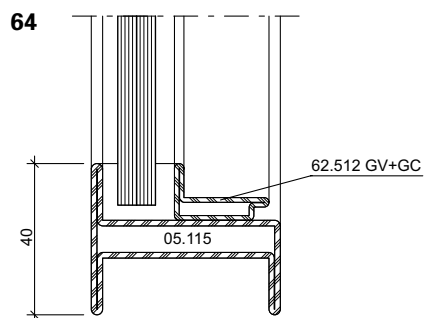
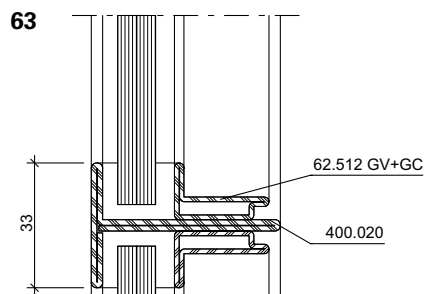
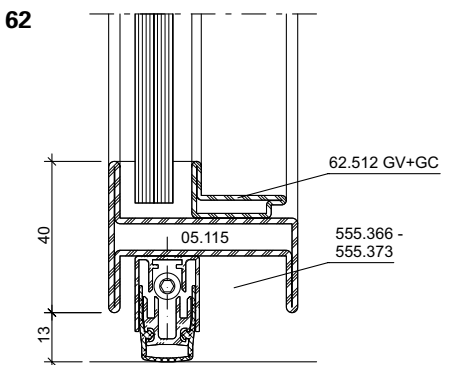
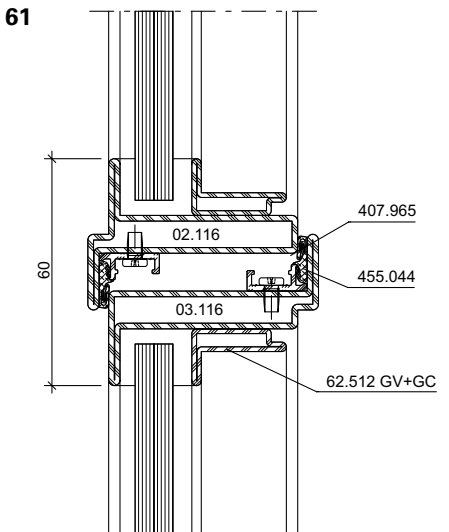
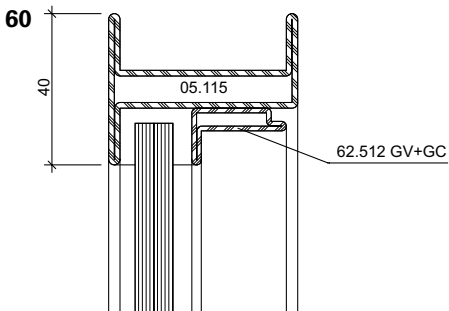
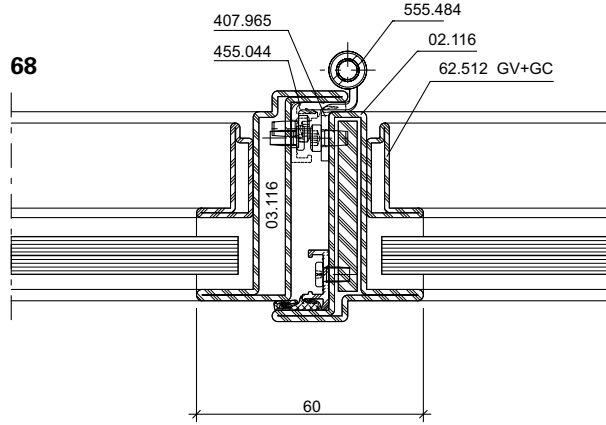
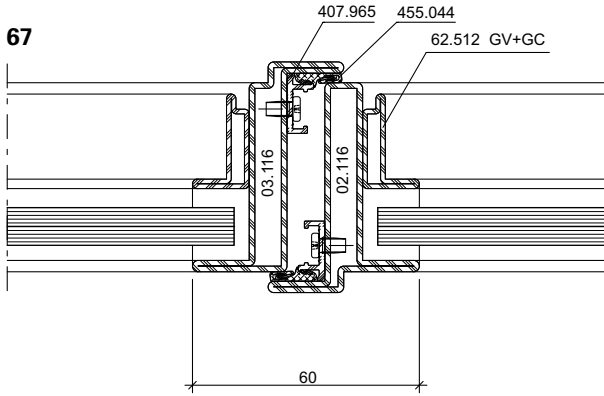


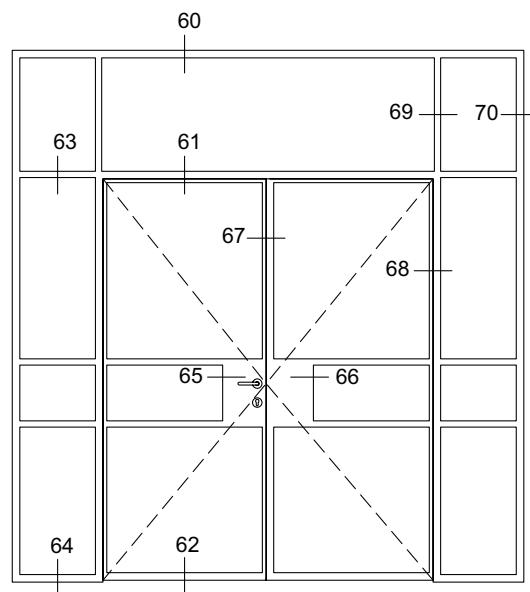
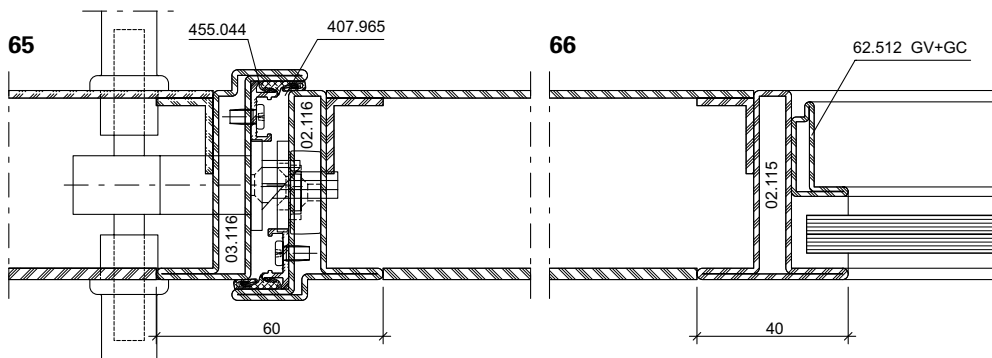
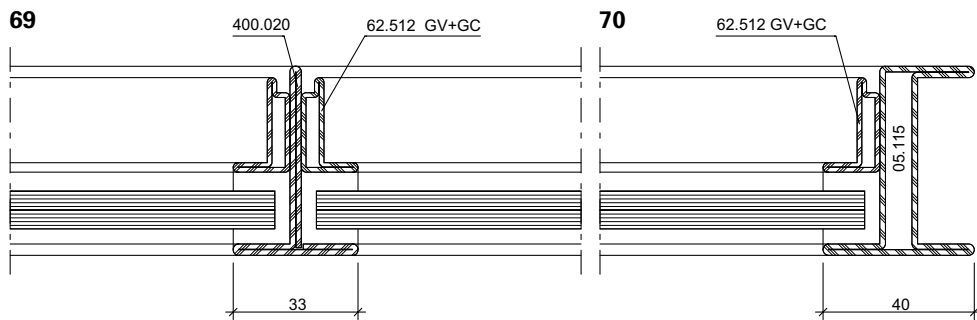


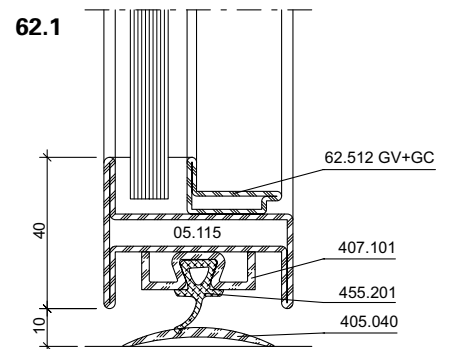
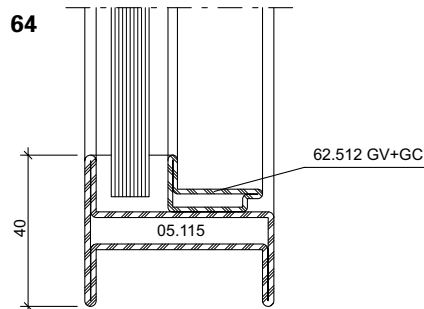
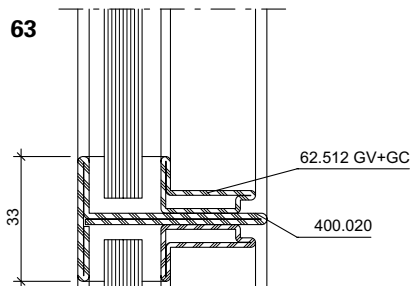
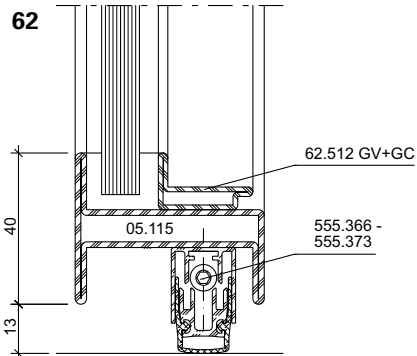
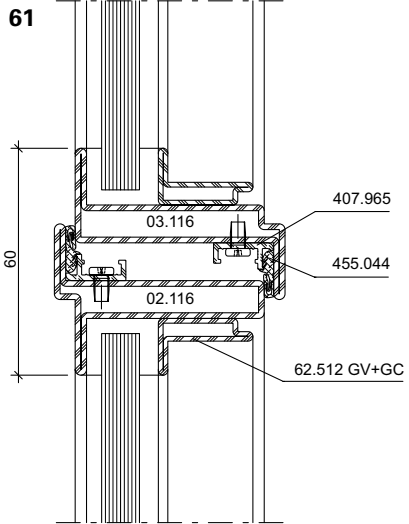
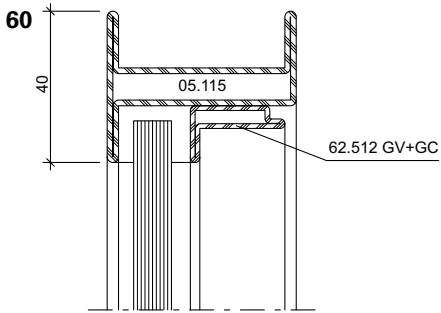
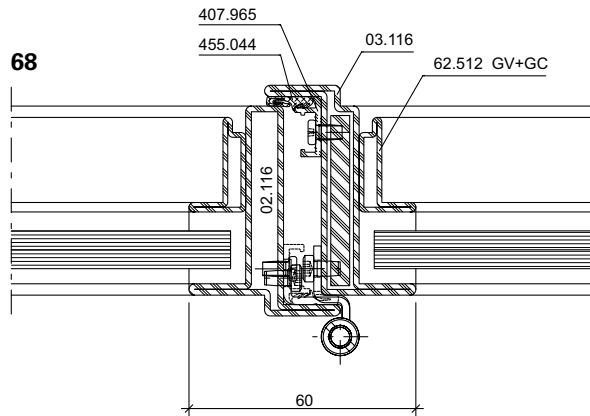
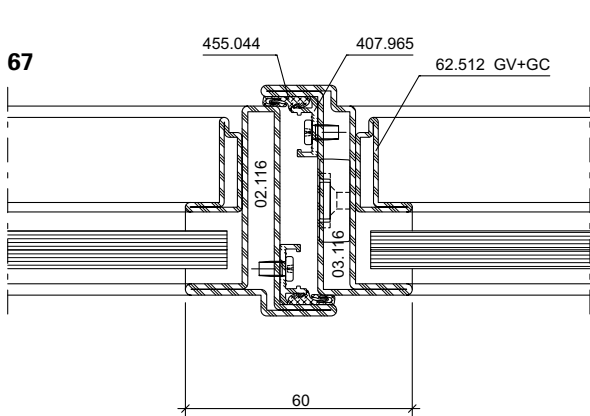


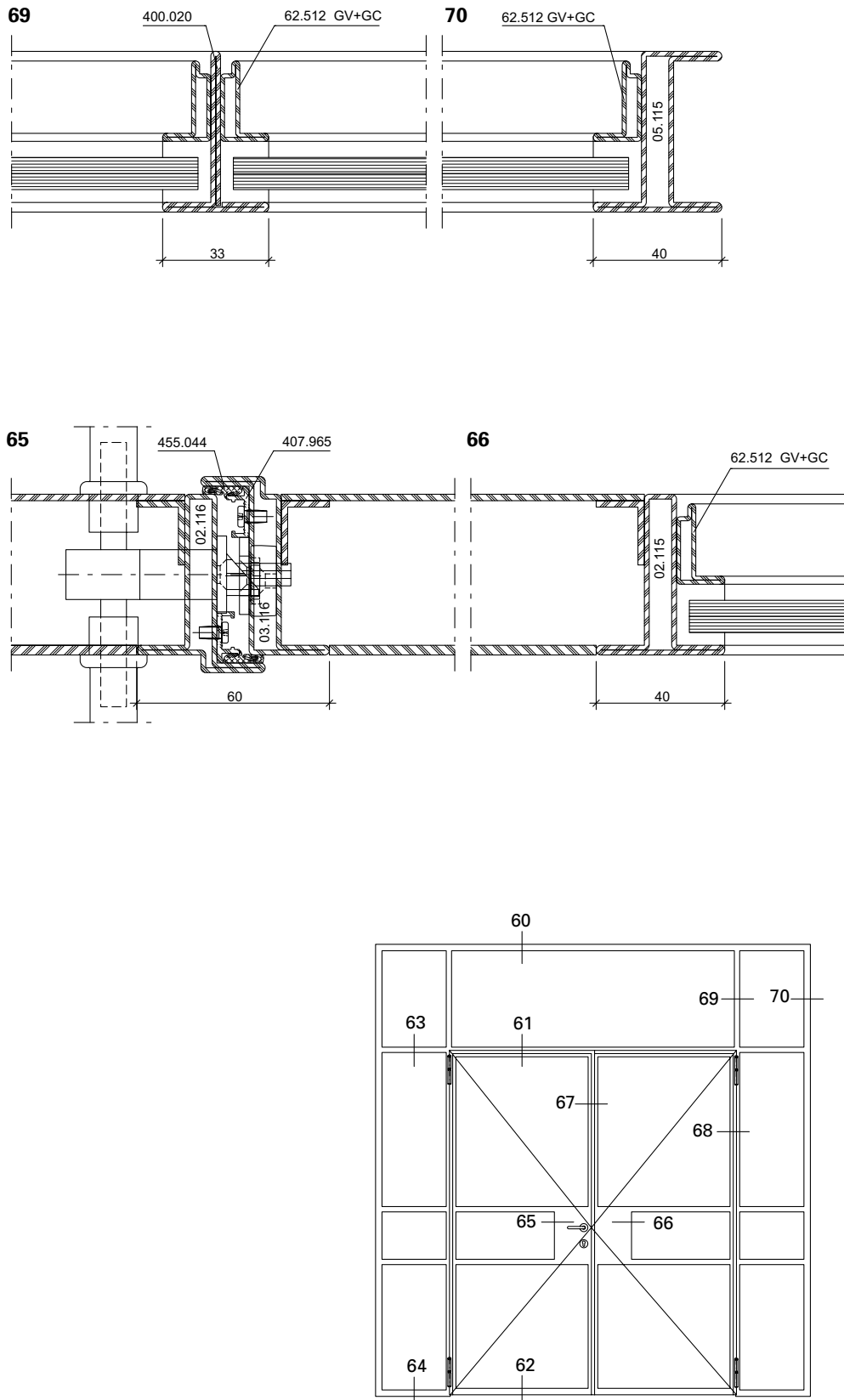


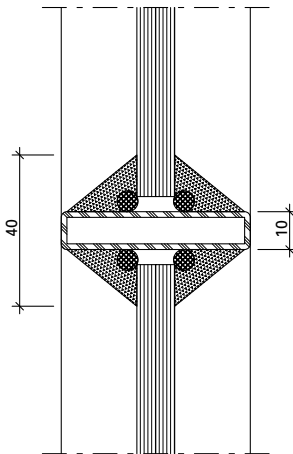
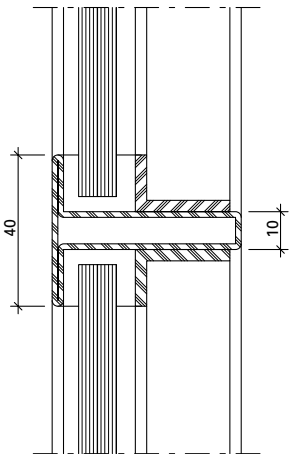
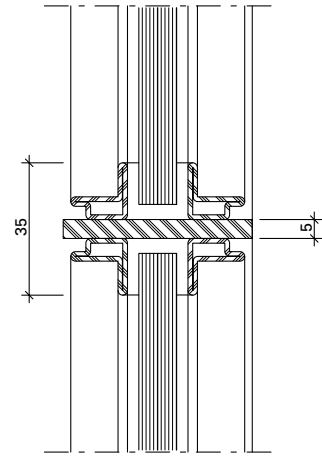
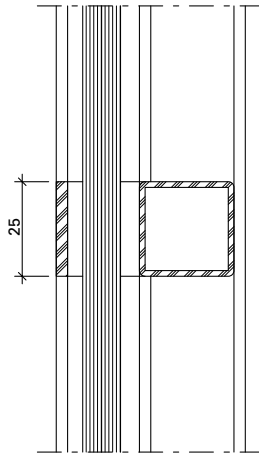
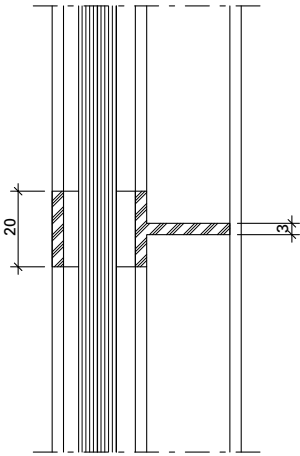












Verglasungsoption: Kittverglasung
(nationale Verglasungsrichtlinien und -Vorschriften beachten)

Glazing option: Putty glazing
(note national guidelines and regulations)

