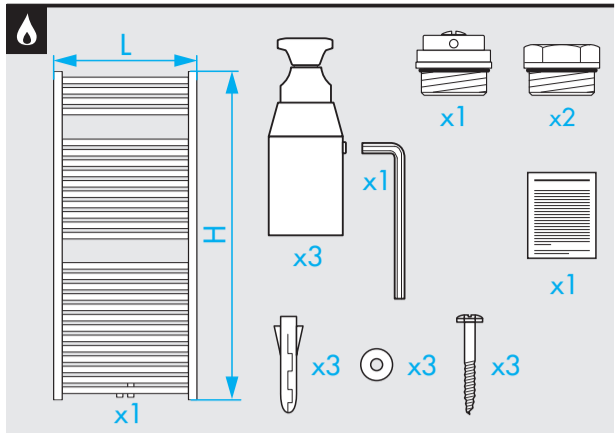
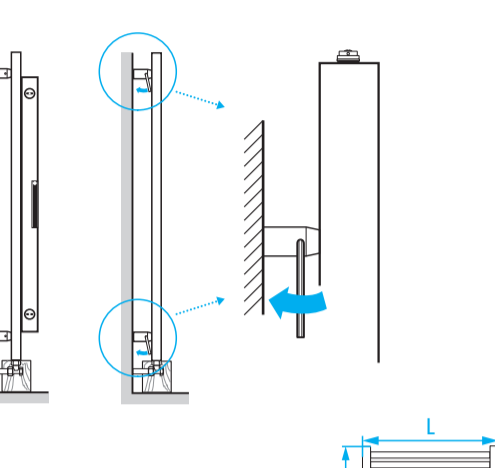
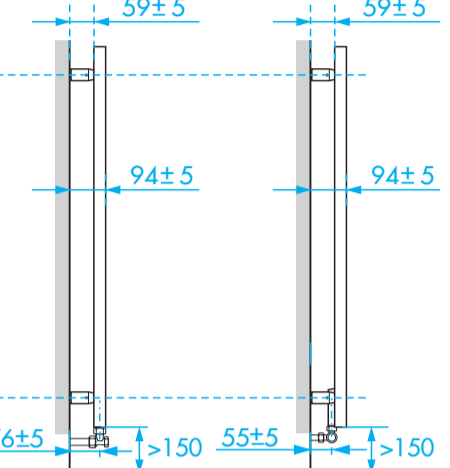
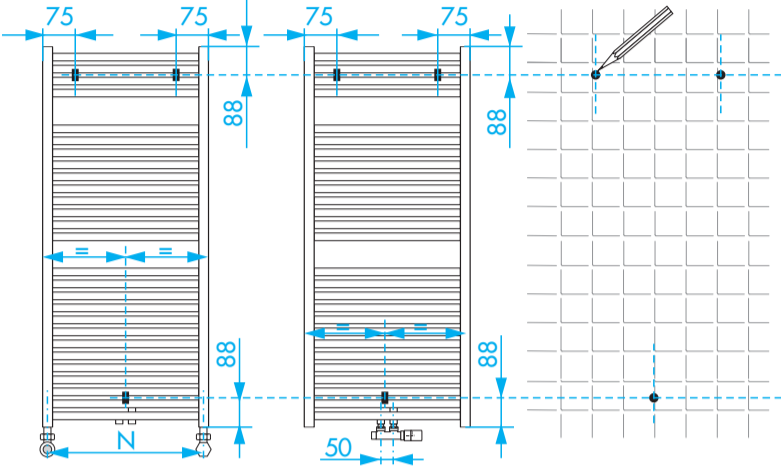
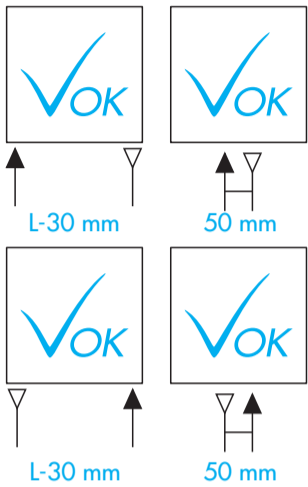
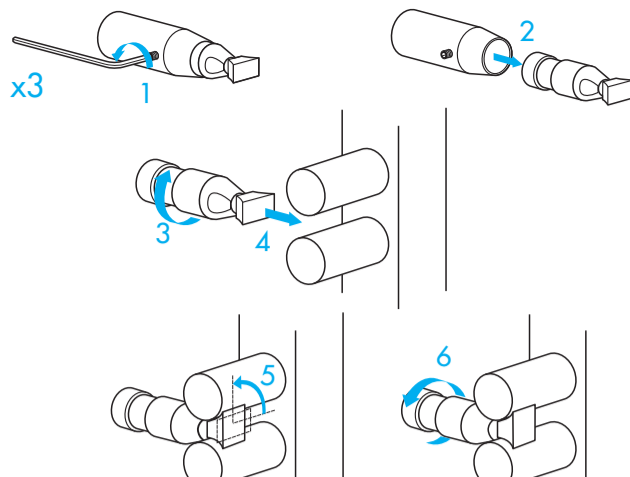
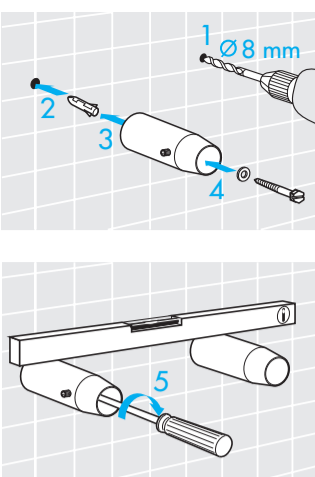
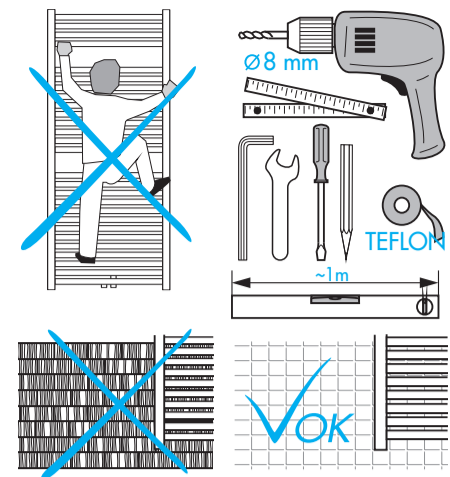


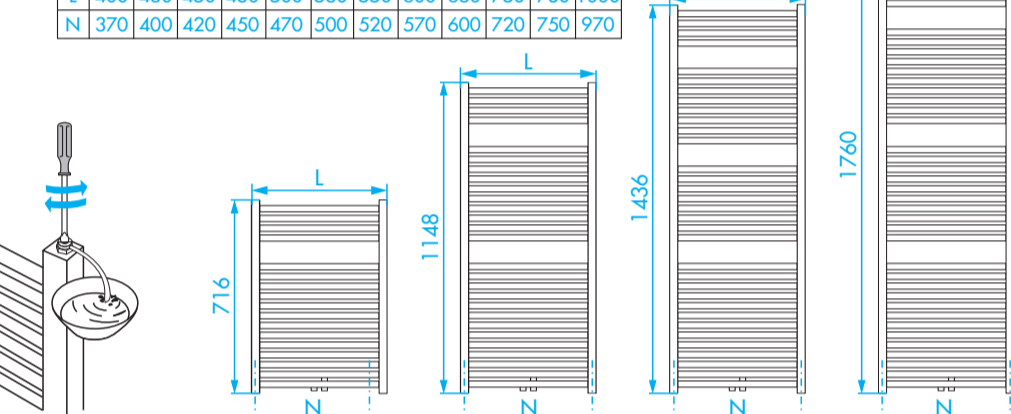
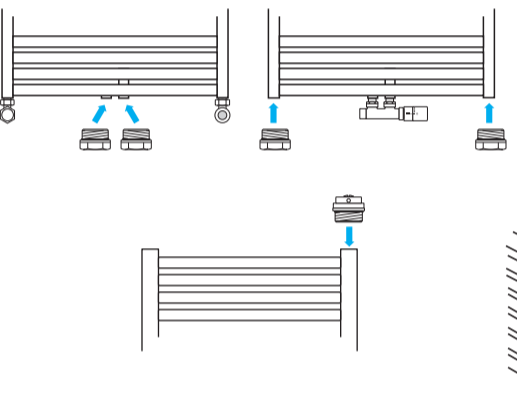
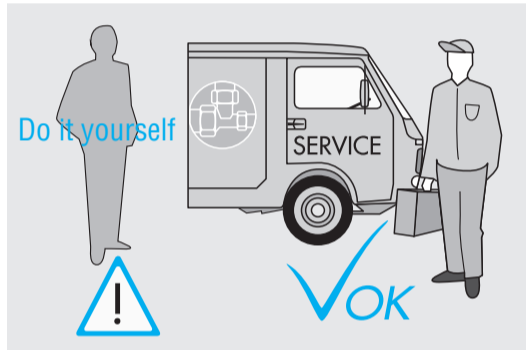
### TYPE P



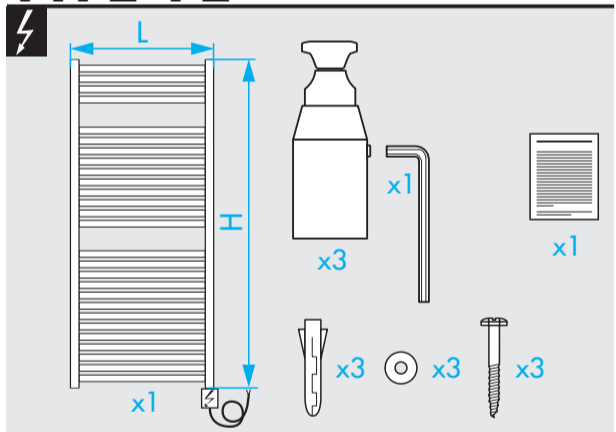
© Copyright by PBO 04/19 40004171



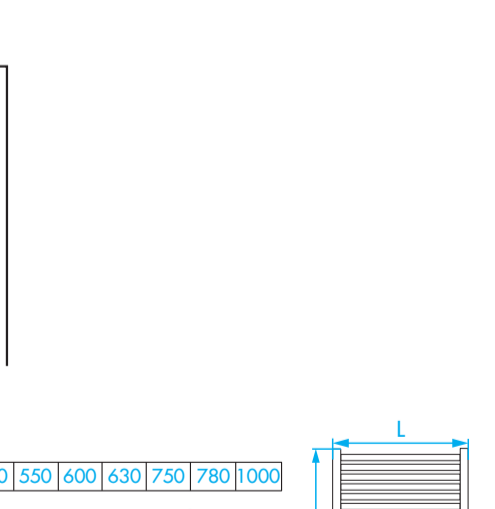
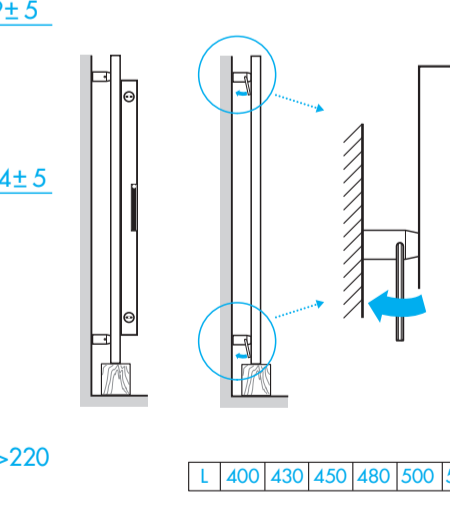
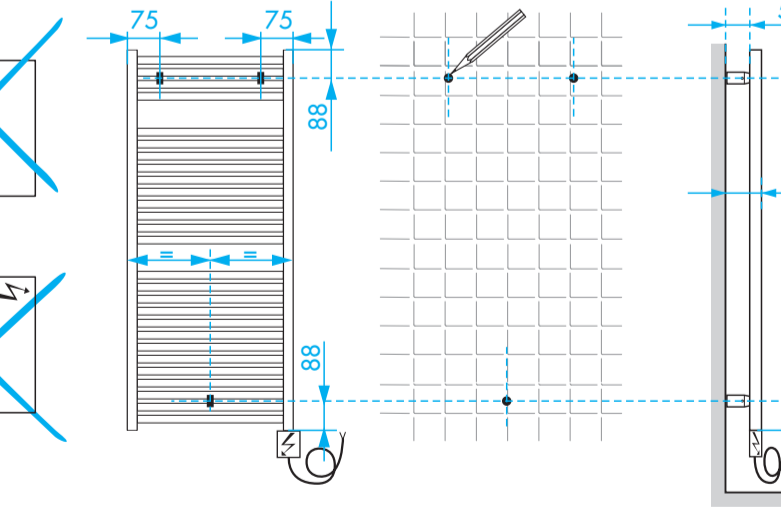
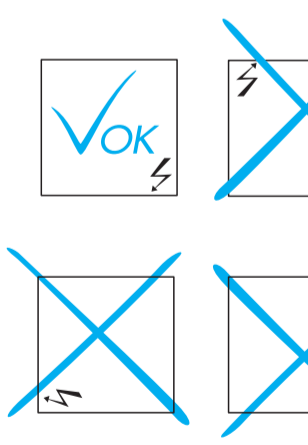
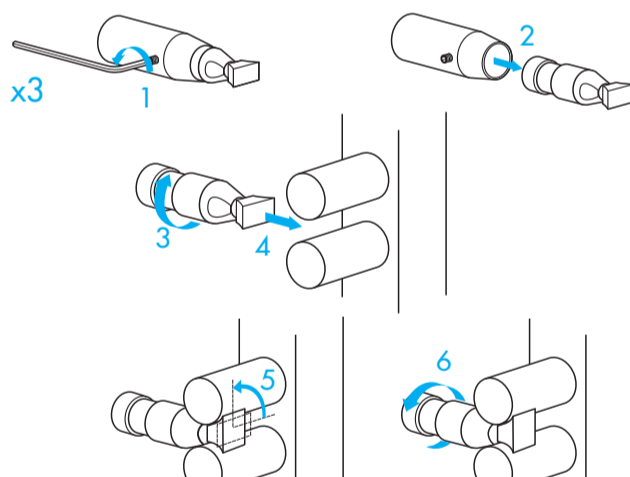
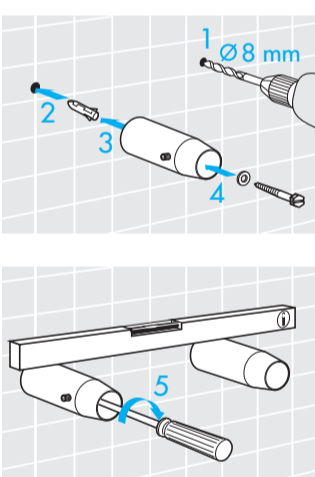
L	400	430	450	480	500	530	550	600	630	750	780	1000
N	370	400	420	450	470	500	520	570	600	720	750	970



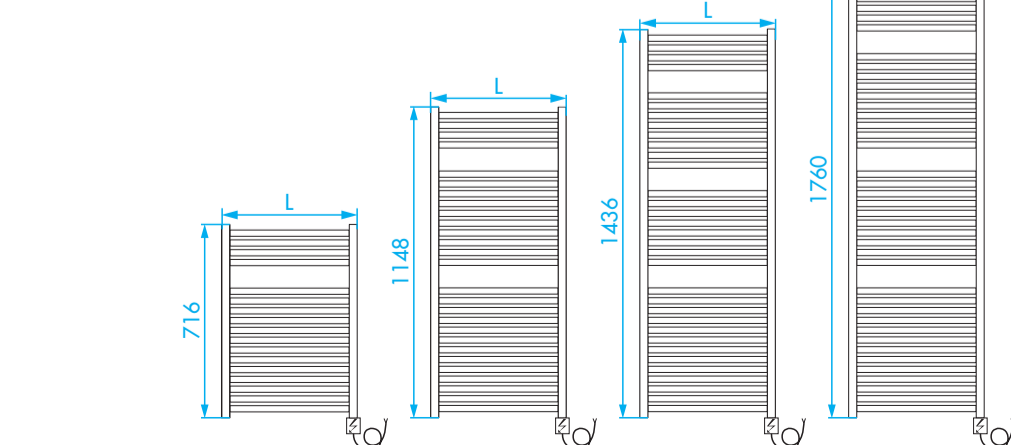
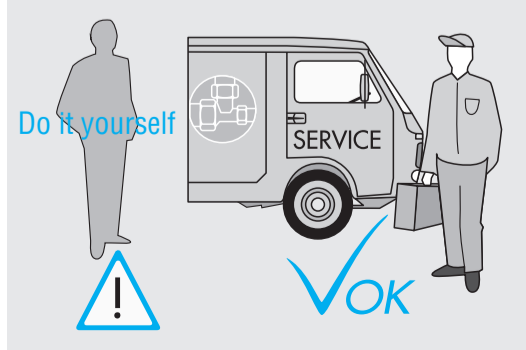
### TYPE PE



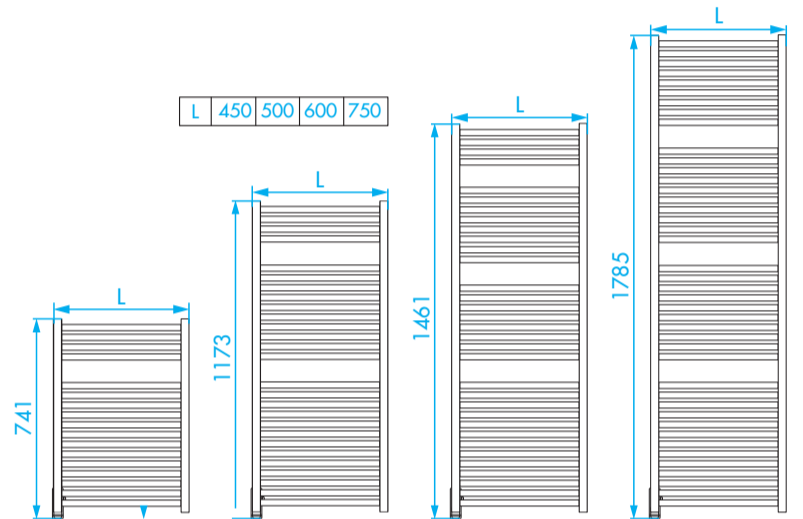
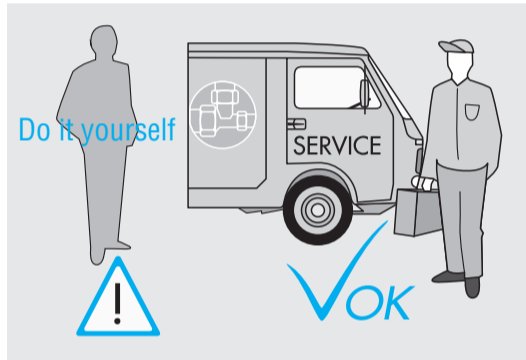
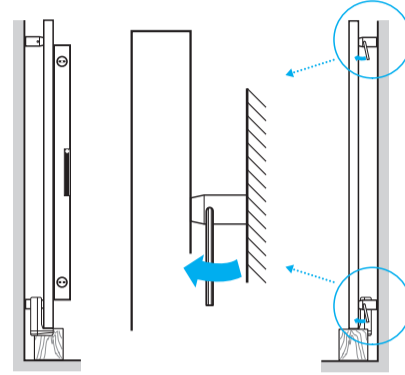
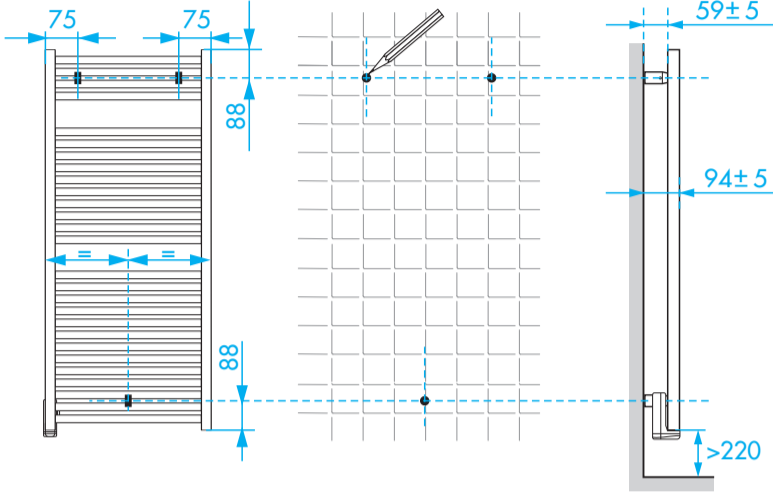
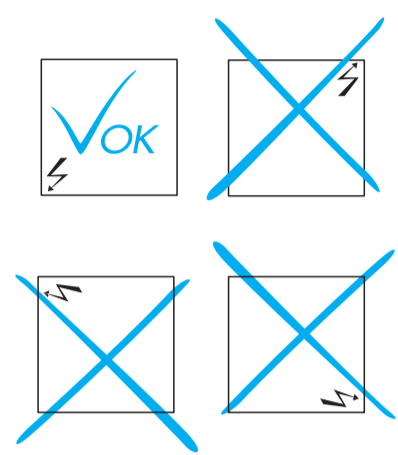
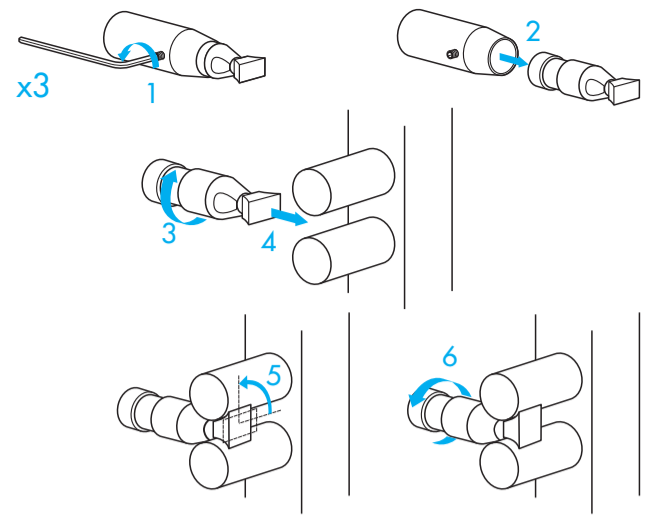
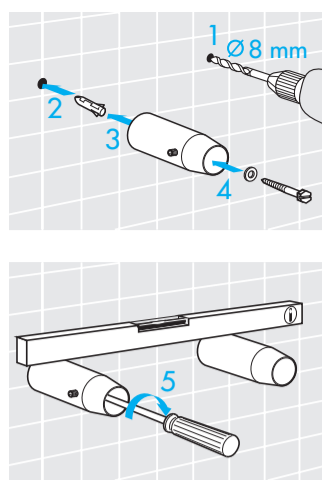
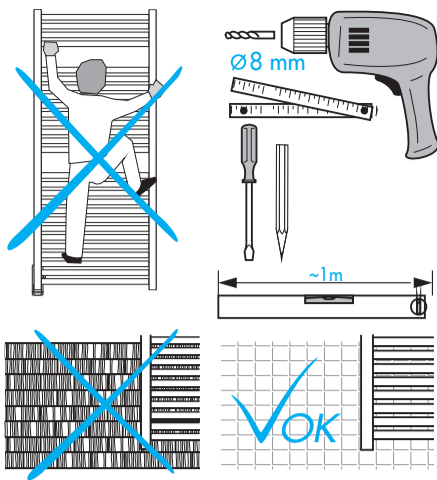
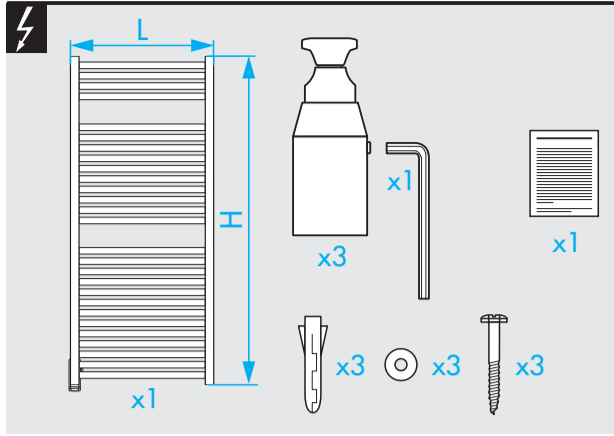
© Copyright by PBO 04/19 40004171



L	400	430	450	480	500	530	550	600	630	750	780	1000
---	-----	-----	-----	-----	-----	-----	-----	-----	-----	-----	-----	------

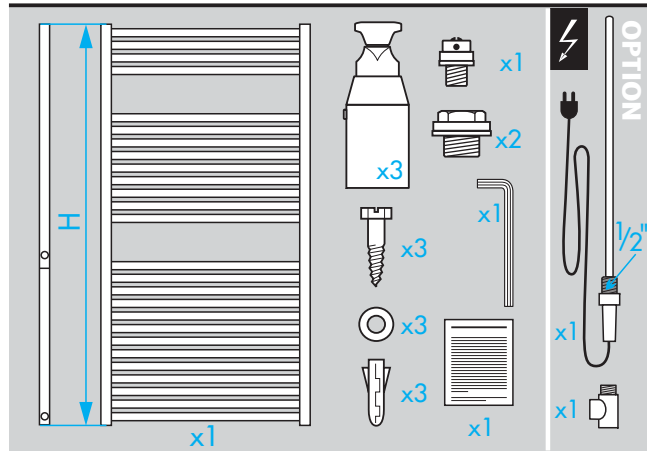


**TYPE PE-RF**

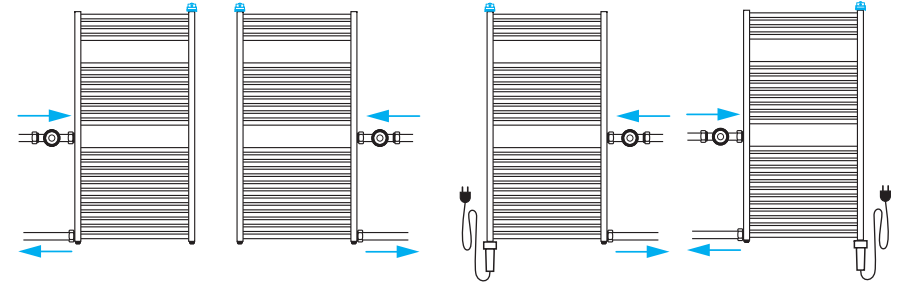
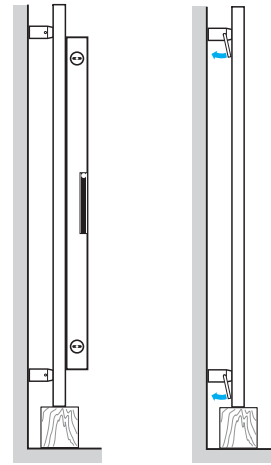
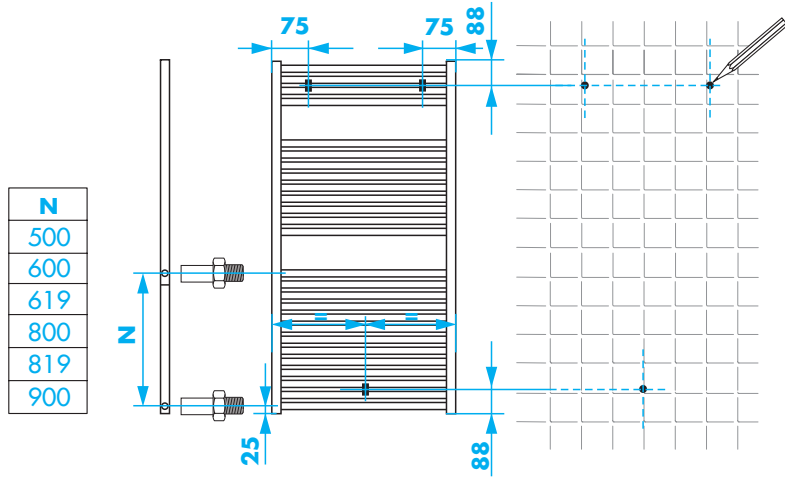
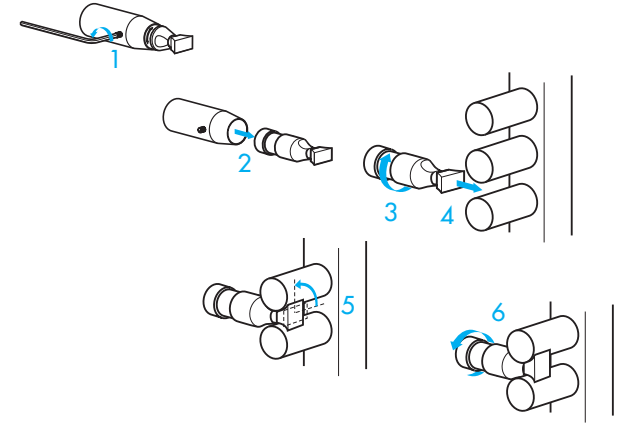
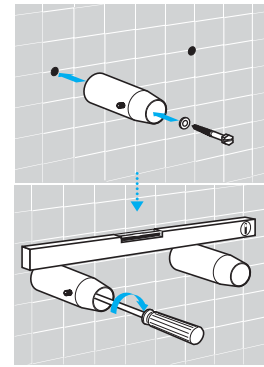
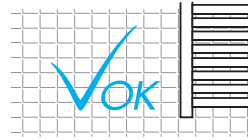
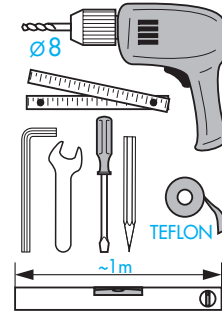
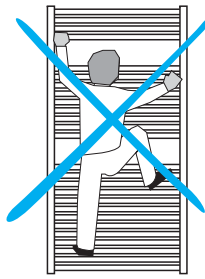


# TYPE P x L/R

040707



© Copyright by PBO 07/07



L3	500	600	750
----	-----	-----	-----

L2	500	600
----	-----	-----

L1	500	600
----	-----	-----

