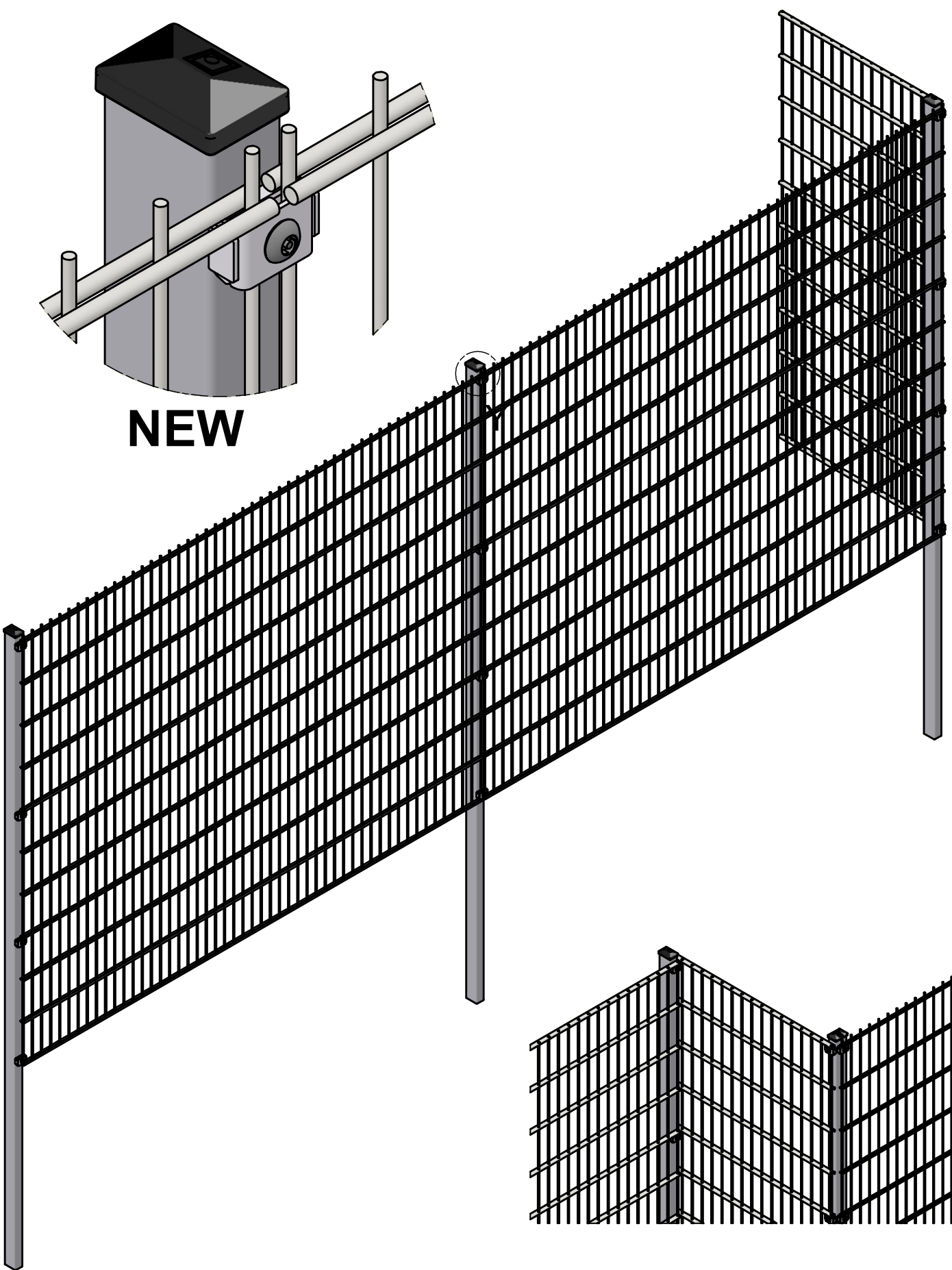

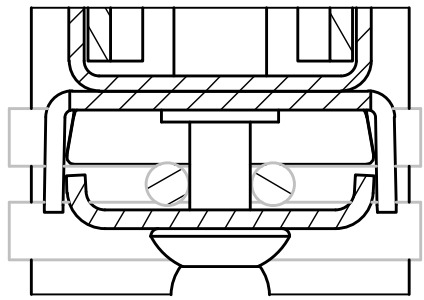


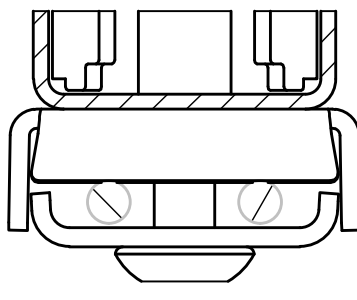
**NEW**



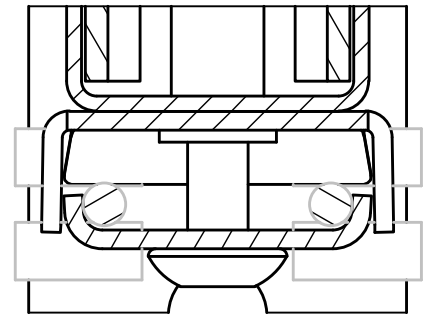
DRAWN BY: JR		DESCRIPTION:			
DATE: 8-5-2024		hexaclip mesh fixing (868, 656. Uni)			
REF. NO: Pallas hexaclip		PROJECT:		DRAWING NO:	REV NO:
					SHEET: 1 v 6



min c.o.c.  
2514



nominal  
c.o.c 2520

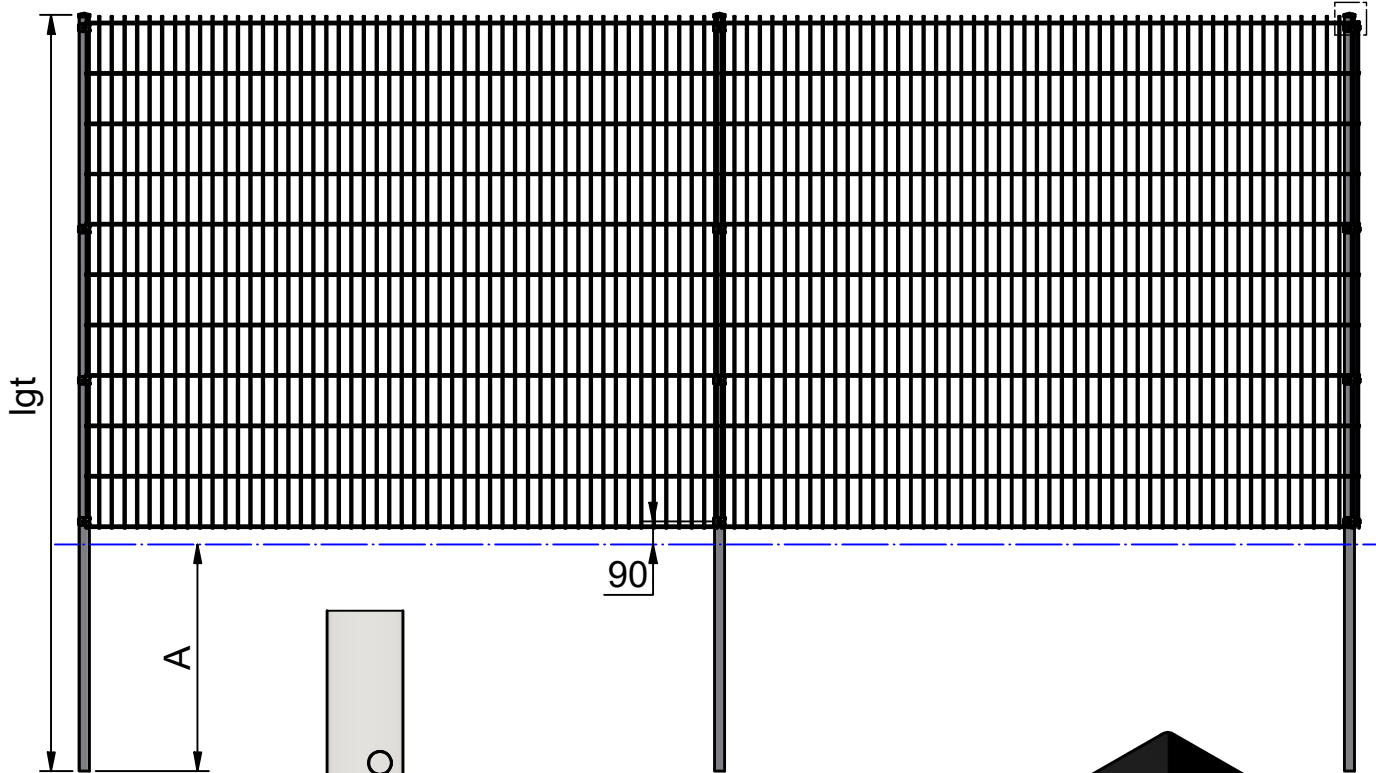


max c.o.c.  
2540

2520

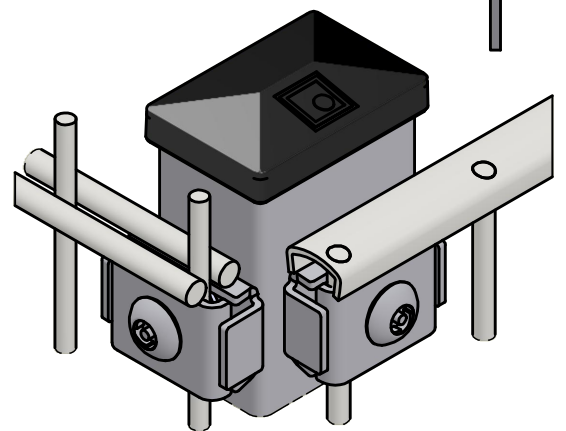
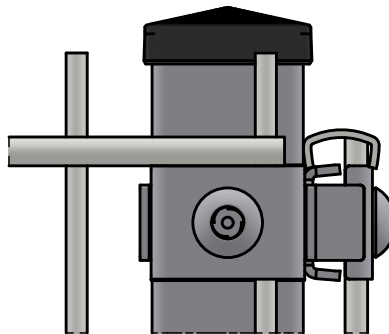
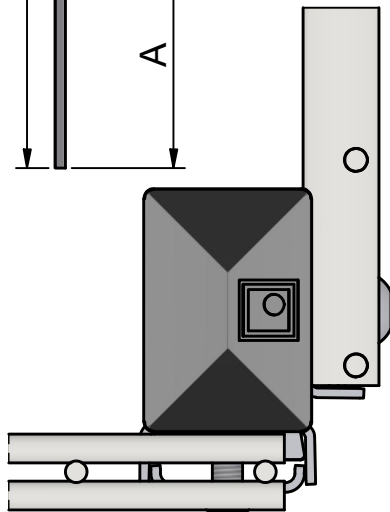
2500

A



90

A



right/ rechts  $\angle$  60x40

DRAWN BY: JR  
DATE: 8-5-2024  
REF. NO: Pallas hexaclip

DESCRIPTION:  
hexaclip mesh fixing (868, 656. Uni)

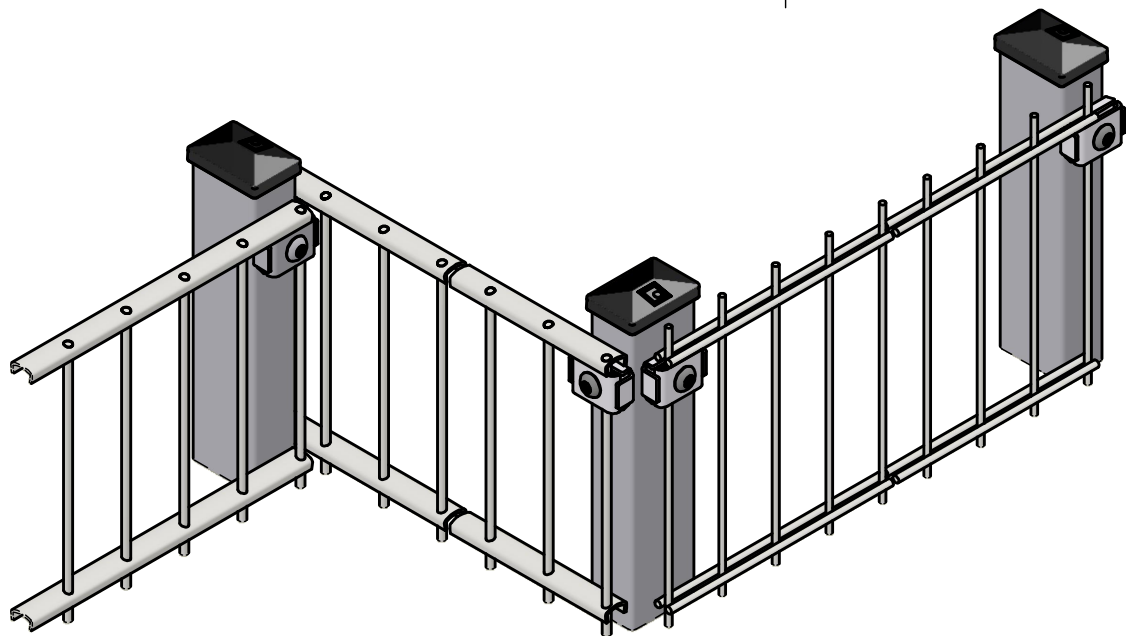
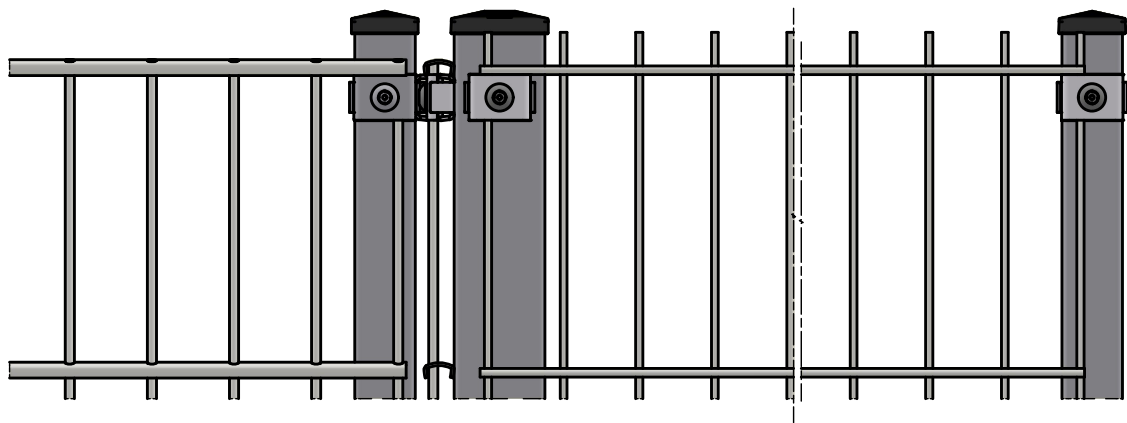
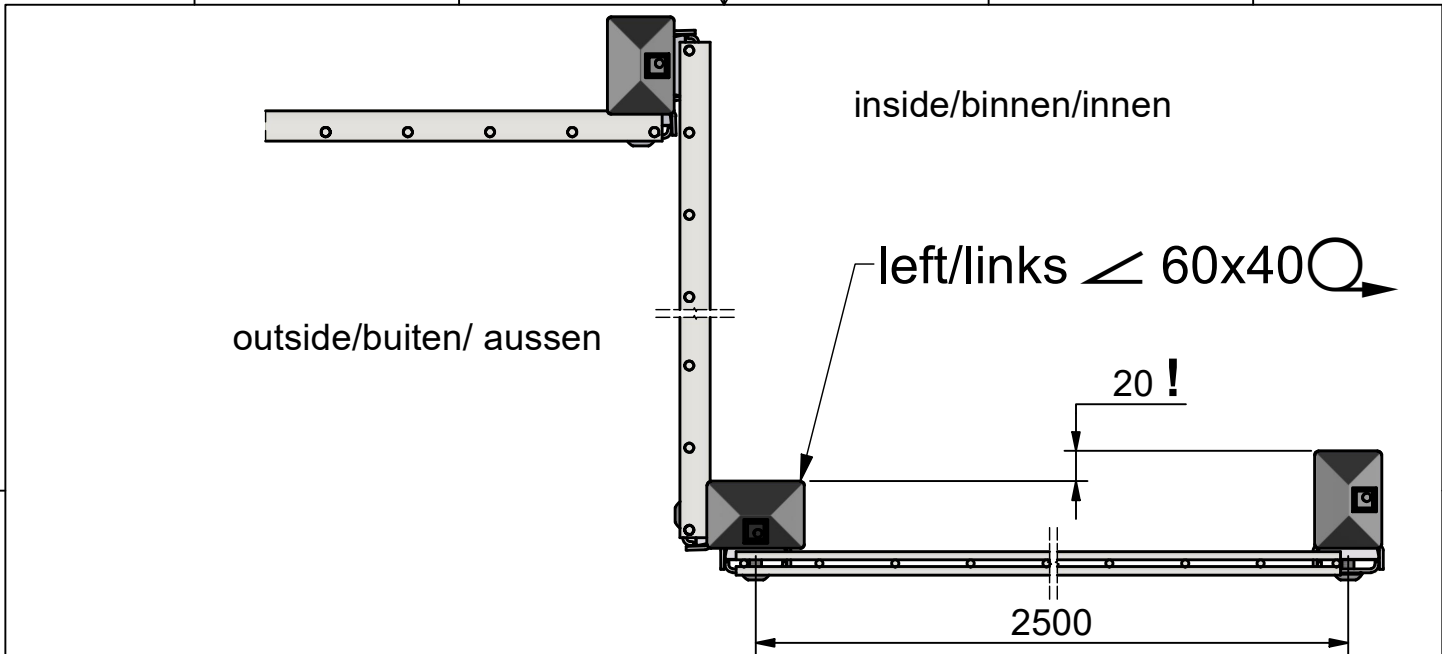



PROJECT:

DRAWING NO:

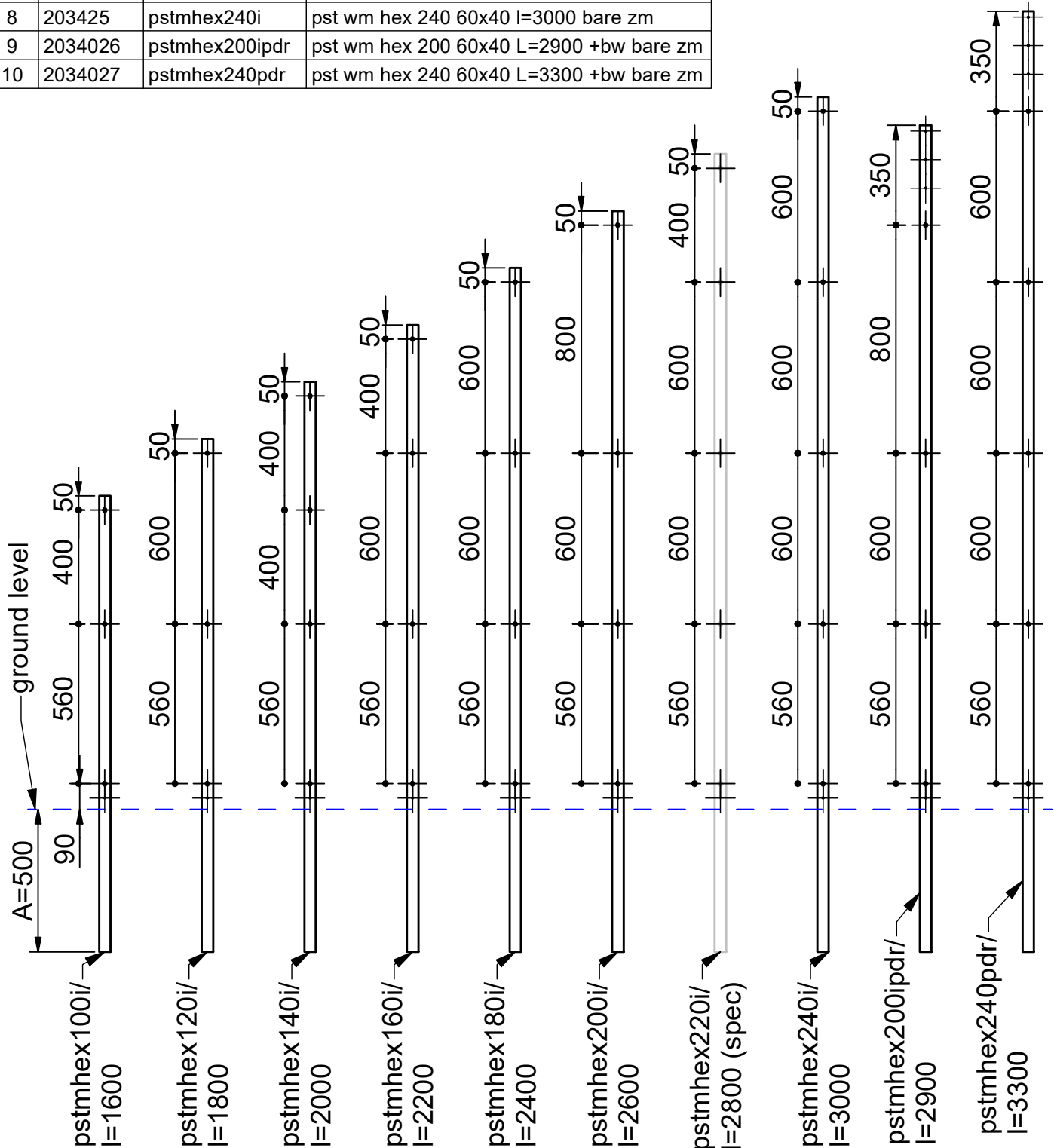
REV NO:

SHEET:  
2 v 6



DRAWN BY: JR		DESCRIPTION:			
DATE: 8-5-2024		hexaclip mesh fixing (868, 656. Uni)			
REF. NO: Pallas hexaclip		PROJECT:		DRAWING NO:	REV NO:
					SHEET: 3 v 6

ITEM	SAPzm	ARTICLE CODE	DESCRIPTION
1	2034019	pstmhex100i	pst wm hex 100 60x40 l=1600 bare zm
2	2034020	pstmhex120i	pst wm hex 120 60x40 l=1800 bare zm
3	2034021	pstmhex140i	pst wm hex 140 60x40 l=2000 bare zm
4	2034022	pstmhex160i	pst wm hex 160 60x40 l=2200 bare zm
5	2034023	pstmhex180i	pst wm hex 180 60x40 l=2400 bare zm
6	2034024	pstmhex200i	pst wm hex 200 60x40 l=2600 bare zm
7		pstmhex220i	pst wm hex 220 60x40 l=2800 bare zm
8	203425	pstmhex240i	pst wm hex 240 60x40 l=3000 bare zm
9	2034026	pstmhex200ipdr	pst wm hex 200 60x40 L=2900 +bw bare zm
10	2034027	pstmhex240pdr	pst wm hex 240 60x40 L=3300 +bw bare zm



DRAWN BY: JR

DATE: 8-5-2024

REF. NO: Pallas hexaclip

DESCRIPTION:

hexaclip mesh fixing (868, 656. Uni)



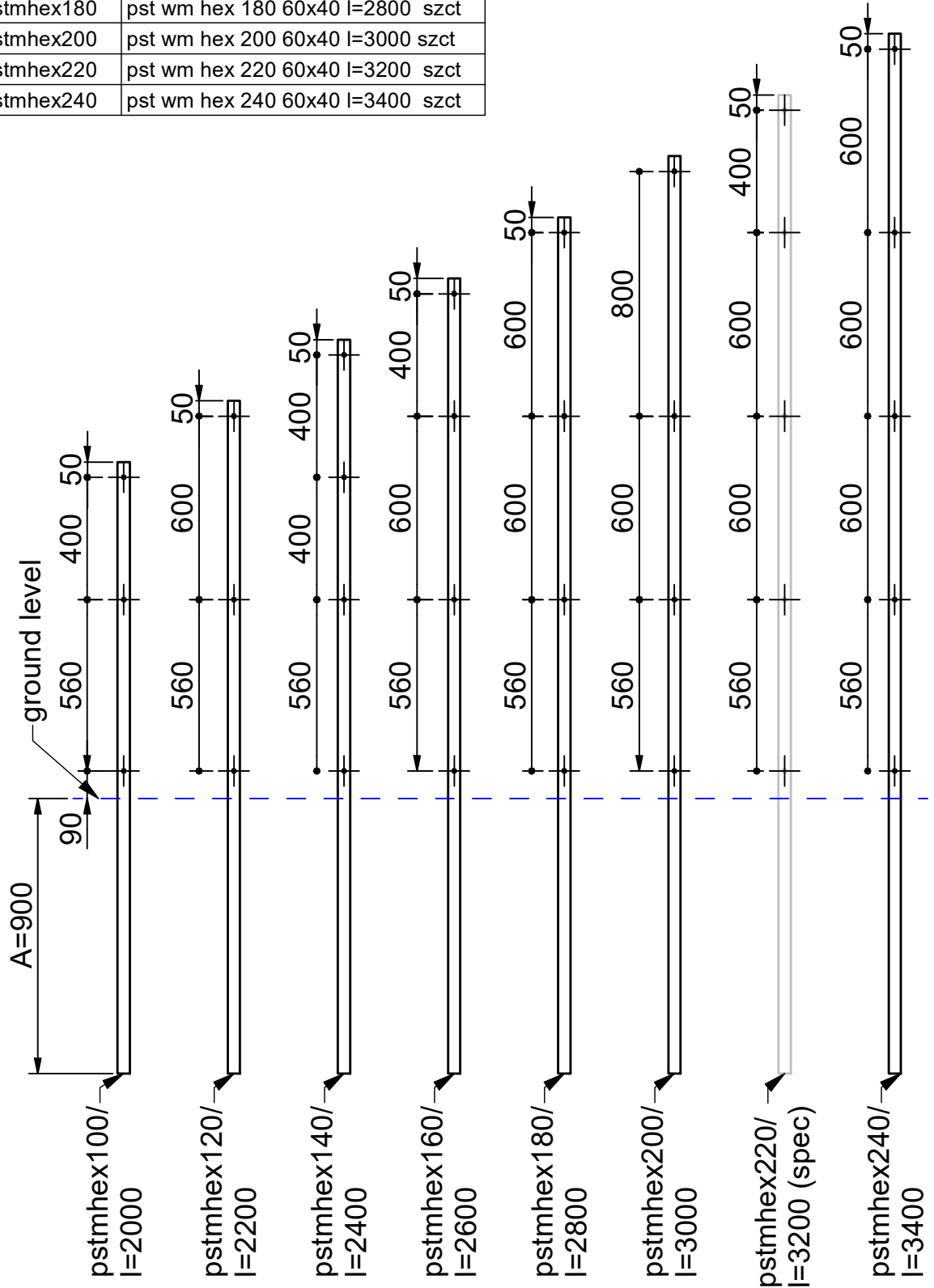
PROJECT:


DRAWING NO:

REV NO:

SHEET:  
4 v 6

ITEM	SAPct	ARTICLE CODE	DESCRIPTION
1	2034107	pstmhex100	pst wm hex 100 60x40 l=2000 szct
2	2034108	pstmhex120	pst wm hex 120 60x40 l=2200 szct
3	2034109	pstmhex140	pst wm hex 140 60x40 l=2400 szct
4	2034110	pstmhex160	pst wm hex 160 60x40 l=2600 szct
5	2034111	pstmhex180	pst wm hex 180 60x40 l=2800 szct
6	2034112	pstmhex200	pst wm hex 200 60x40 l=3000 szct
7		pstmhex220	pst wm hex 220 60x40 l=3200 szct
8	2034113	pstmhex240	pst wm hex 240 60x40 l=3400 szct

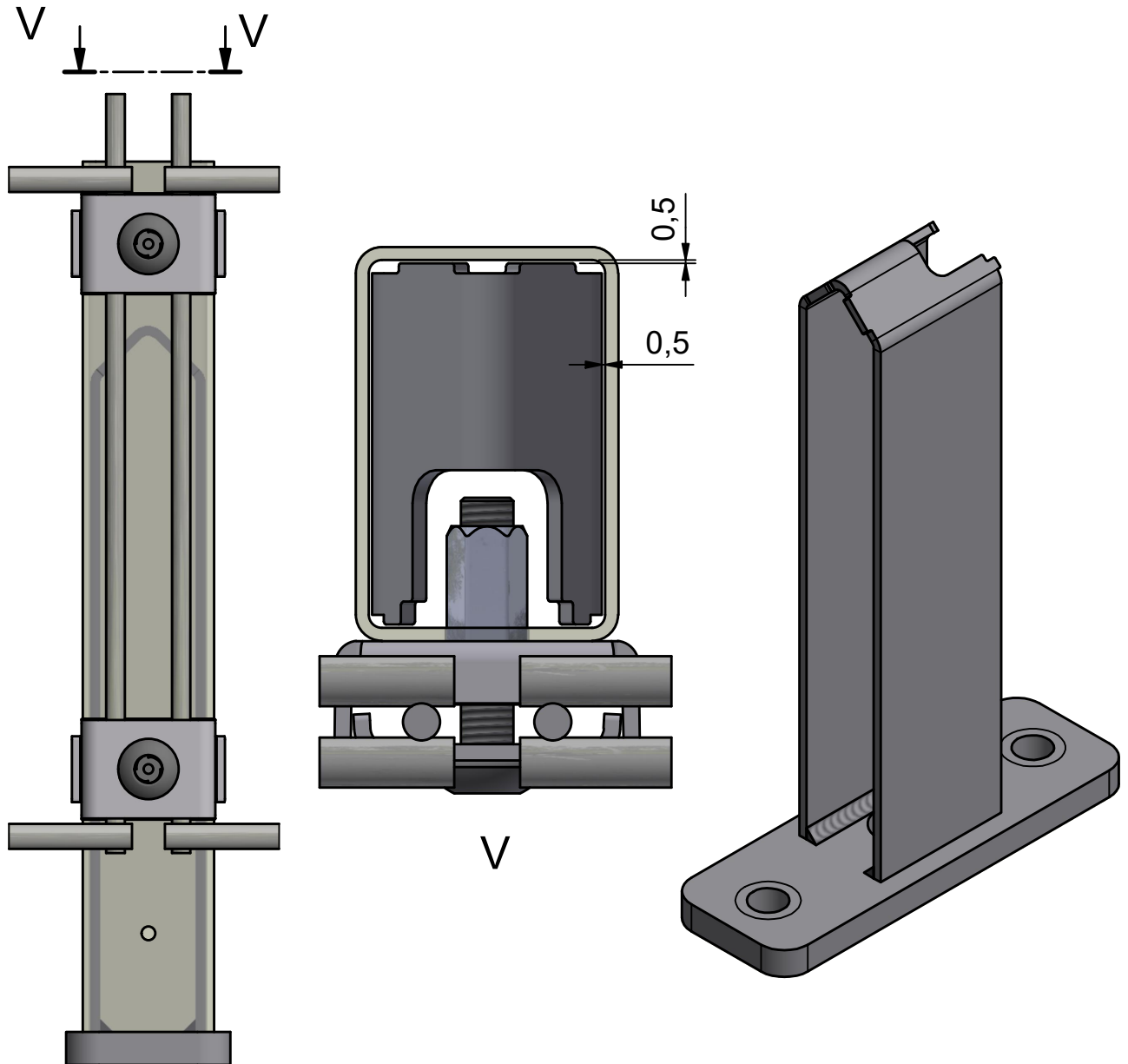



DRAWN BY: JR		DESCRIPTION:		
DATE: 8-5-2024		hexaclip mesh fixing (868, 656. Uni)		
REF. NO: Pallas hexaclip				
		PROJECT:	DRAWING NO:	REV NO:
				SHEET: 5 v 6

**Advantage of baseplate adaptor compare to welded baseplate on post:**

- immediate solution if base plate is required on site and no post on base plate has been ordered. Always keep it as a spare
- no need to standardize uncommon heights/colors if this solution works well
- suitable for pallas security / pallas hexaclip/ pallas with clamp(kgsetstm)

**Disadvantage:** corrosion protection cutting edge post-eventual secure with drill screw



DRAWN BY: JR	DESCRIPTION:			
DATE: 8-5-2024	hexaclip mesh fixing (868, 656. Uni)			
REF. NO: Pallas hexaclip				
	PROJECT:	DRAWING NO:	REV NO:	SHEET: 6 v 6