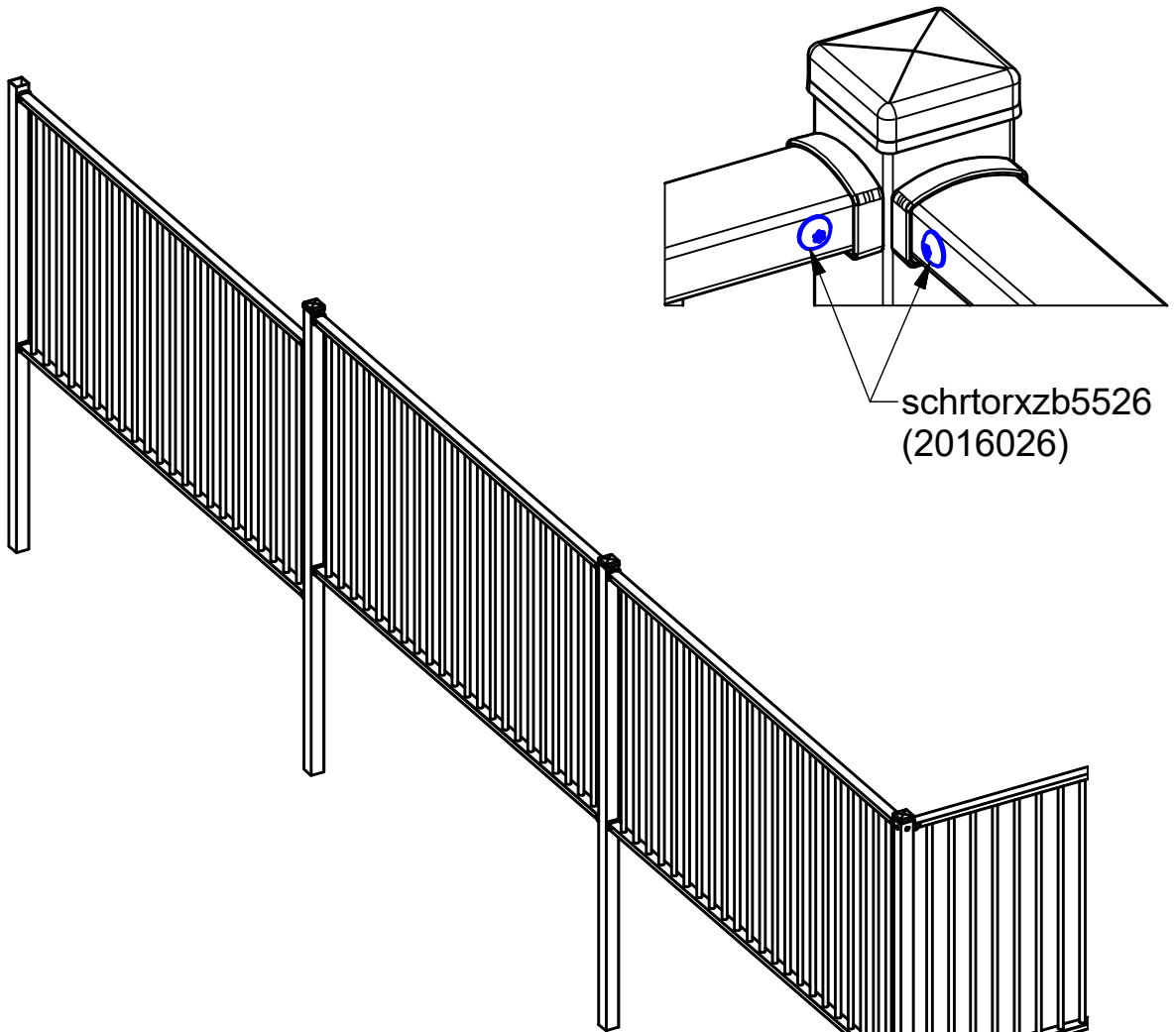
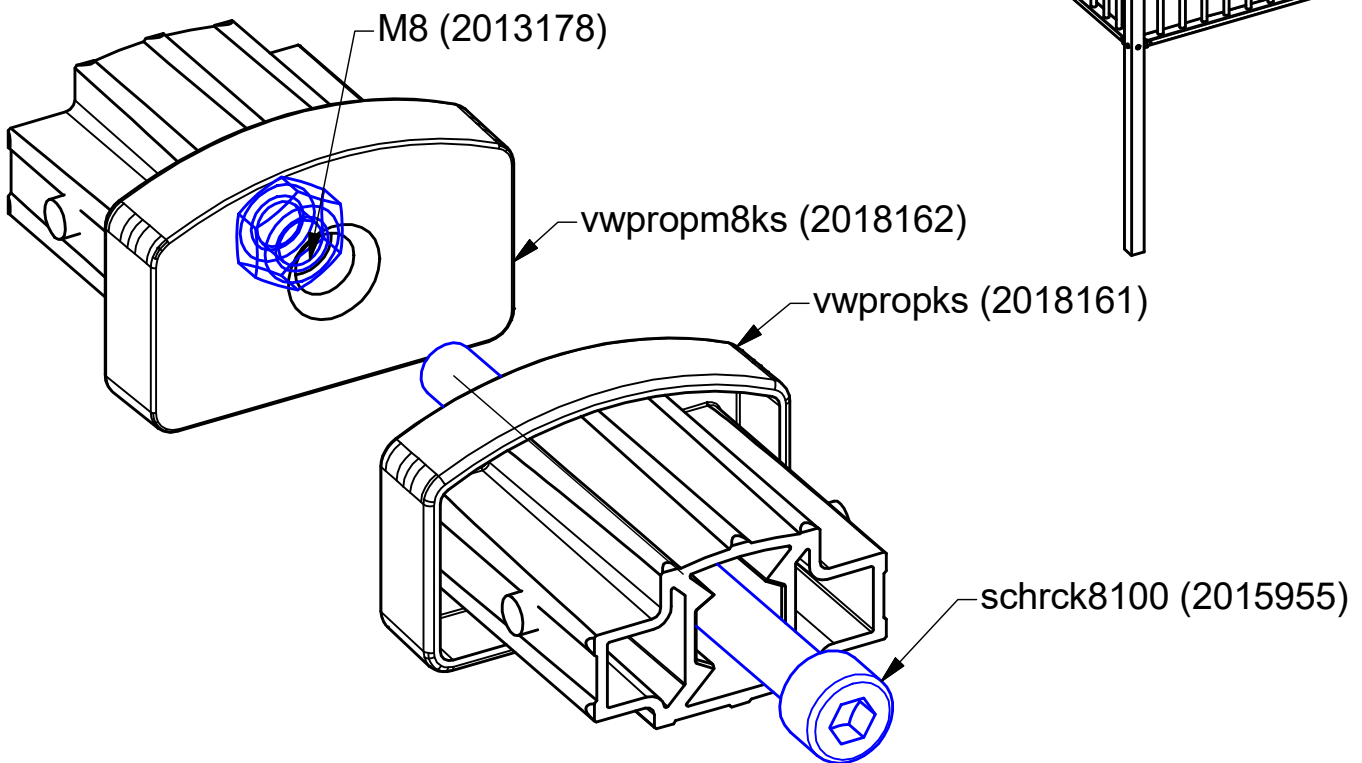


NIEUW/NEW/NEU/NOUVEAU



schrtoorz5526
(2016026)



M8 (2013178)

vwpropm8ks (2018162)

vwpropks (2018161)

schrck8100 (2015955)

HERAS

DESIGNED BY: Handleiding/ Anleitung/ Manual/ Manuel/
JR

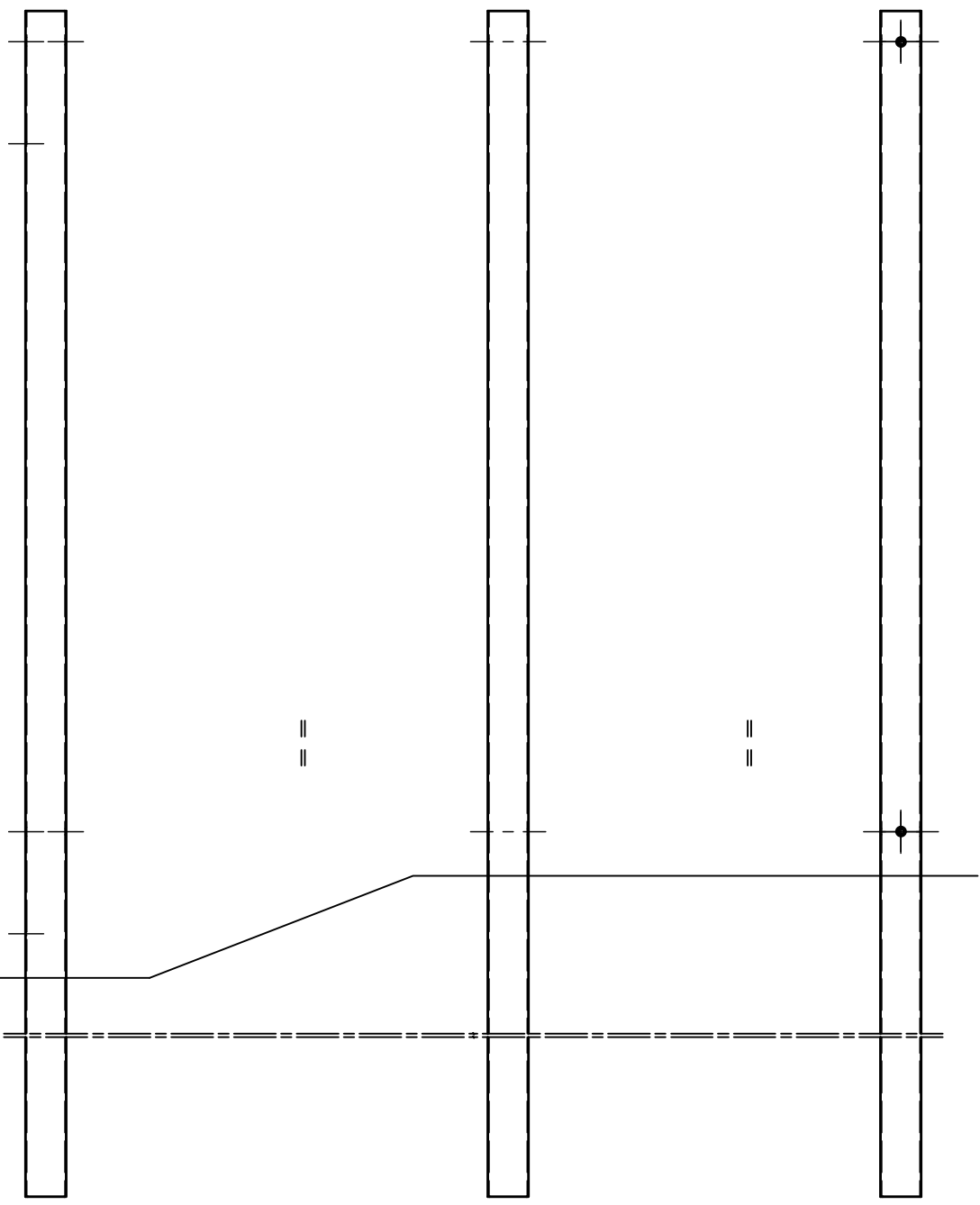
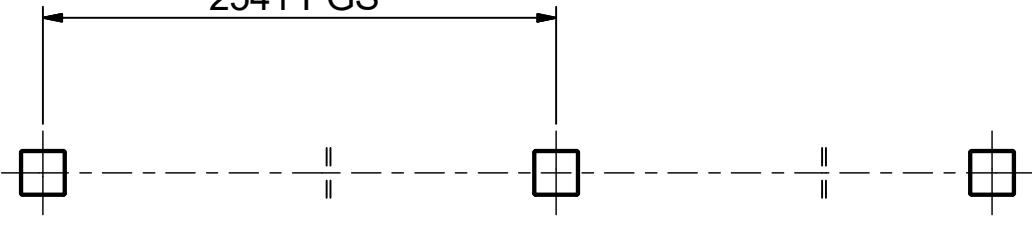
DATE: Spijlenhekwerk/ Stabgitter/ Bar fencing/ Element de Barreaux
1-9-2020

barfence

SHEET:
1 / 16



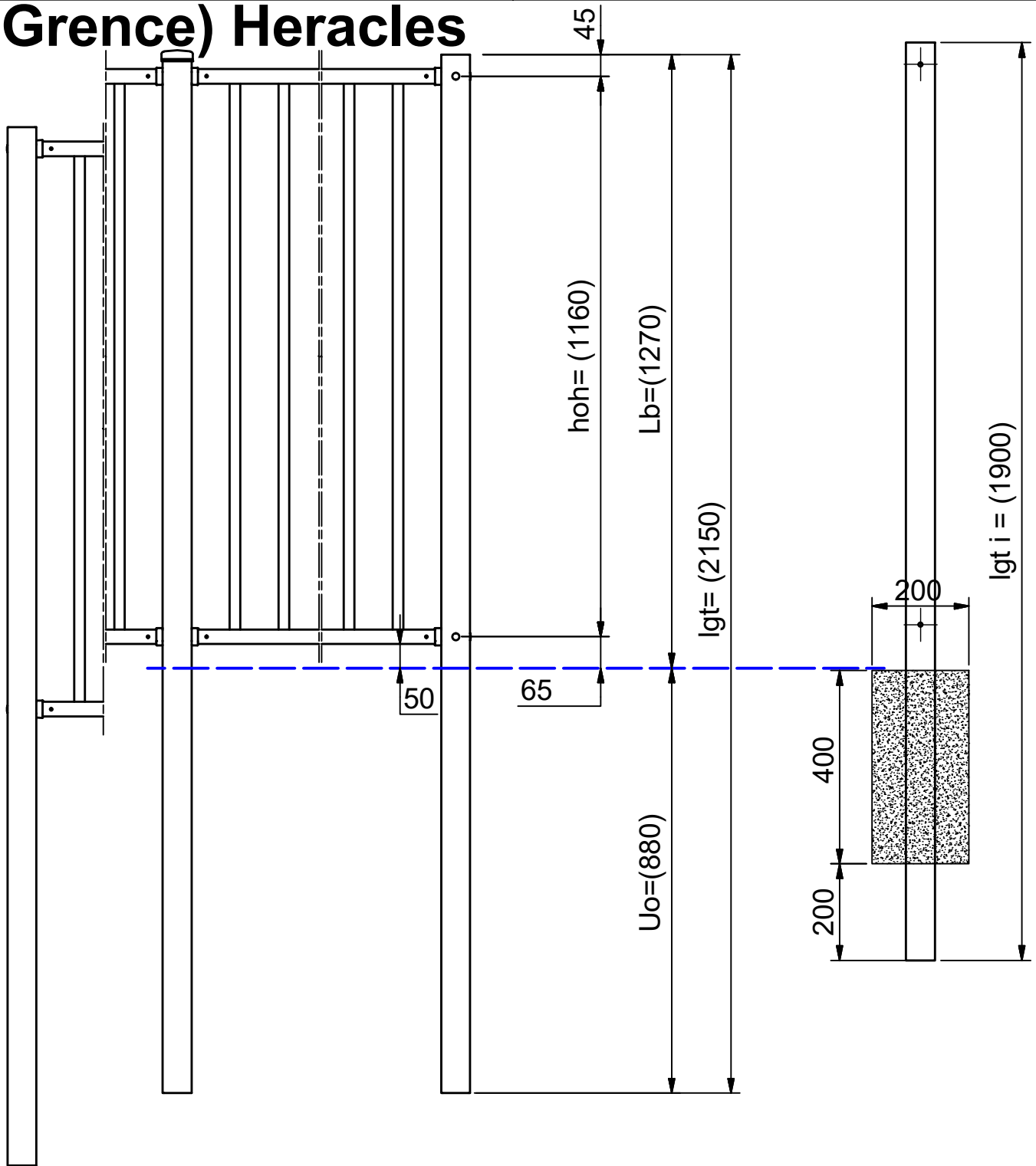
2360⁺³
 2541⁻¹ PGS



HERAS

DESIGNED BY: JR	Handleiding/ Anleitung/ Manual/ Manuel/	barfence
DATE: 1-9-2020	Spijlenhekwerk/ Stabgitter/ Bar fencing/ Element de Barreaux	SHEET: 2 / 16

(Grence) Heracles

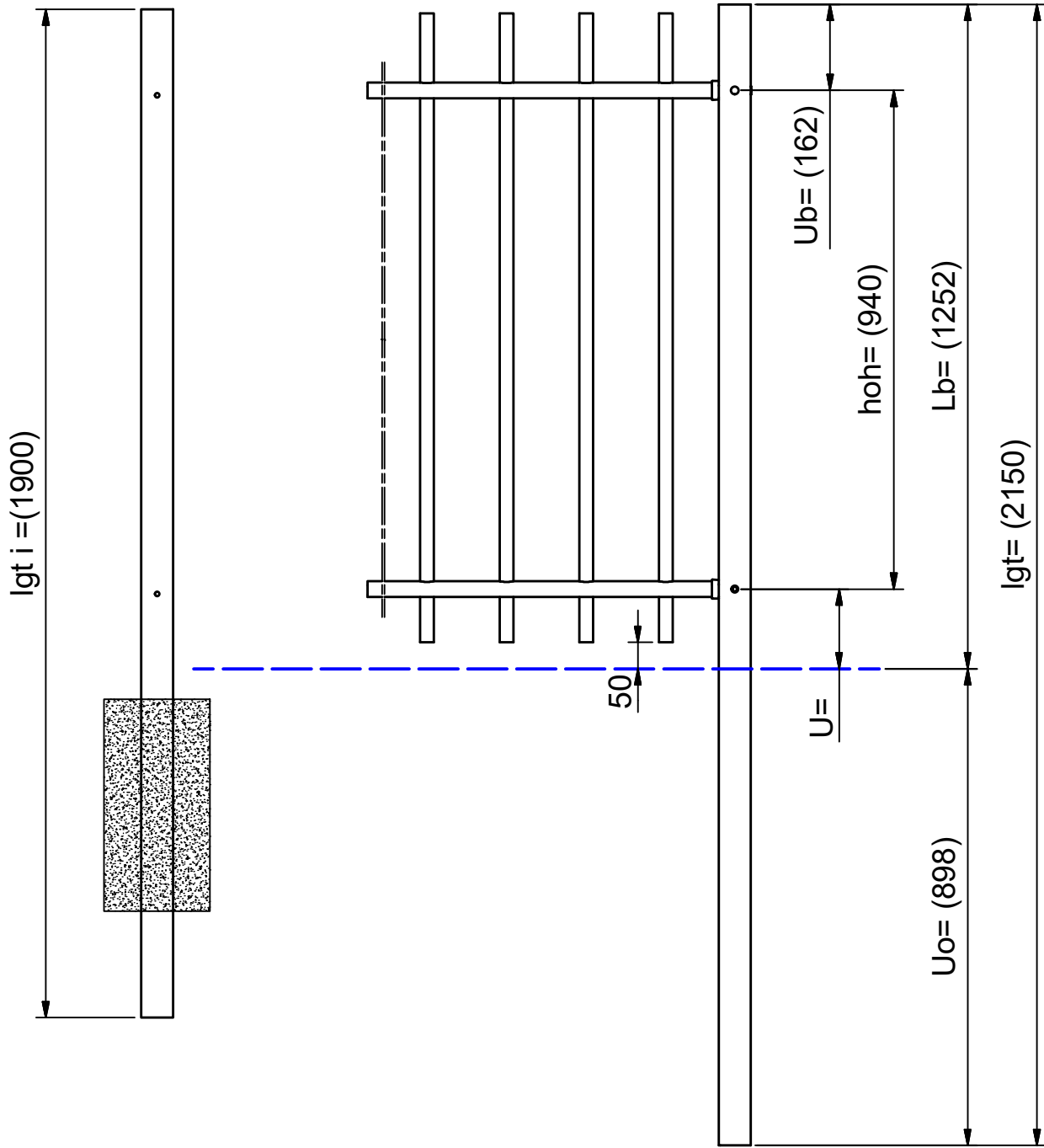


em h em juv	lgt std	lgt i	hoh	Uo	Uoi	Lb
100	1700	1450	710	880	630	820
100	1900	1700	910	880	680	1020
125	2150	1900	1160	880	630	1270
150	2400	2150	1410	880	630	1520
180	2800	2650	1730	960	810	1840
200	3000	2800	1931	959	759	2041
250	3500	3350	2370	1020	870	2480

HERAS

DESIGNED BY: JR	Handleiding/ Anleitung/ Manual/ Manuel/	barfence
DATE: 1-9-2020	Spijlenhekwerk/ Stabgitter/ Bar fencing/ Element de Barreaux	SHEET: 3 / 16

Grence/Atlas/Athos/Orpheus/Theia



ema/emath emorp/emthe	lgt std	lgt i	hoh	Ub	U	Uo	Uoi	Lb
100	1900	1700	690	162	150	898	698	1002
125	2150	1900	940	162	150	898	648	1252
150	2400	2150	1090	217	200	893	643	1507
180	2800	2650	1410	217	200	973	823	1827
200	3000	2800	1610	217	180	993	793	2007
250	3500	3350	2050	217	200	1033	883	2467

HERAS

DESIGNED BY:
JR

DATE:
1-9-2020

Handleiding/ Anleitung/ Manual/ Manuel/

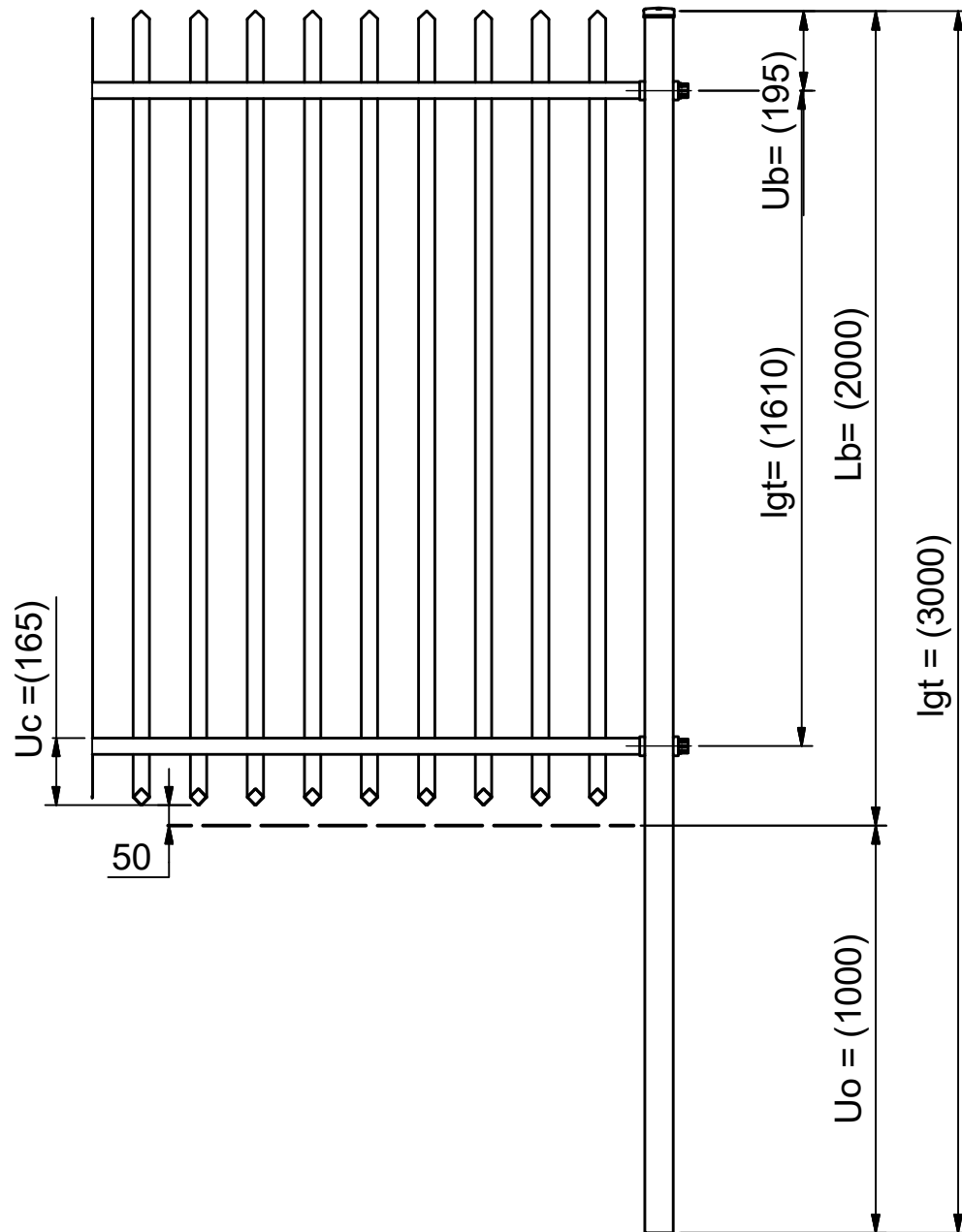
Spijlenhekwerk/ Stabgitter/ Bar fencing/ Element de Barreaux

barfence

SHEET:
4 / 16

Pegasus

(service only)



em h	em juv	lgt std	Ub	hoh	Uc	Uo	Lb=(Ub+Uc+hoh+30)
100	1920	155	690	125	920	1000	
125	2170	155	940	125	920	1250	
150	2420	205	1090	175	920	1500	
180	2820	195	1410	165	1020	1800	
200	3000	195	1610	165	1000	2000	
250	3520	225	2050	195	1020	2500	

HERAS

DESIGNED BY:

JR

Handleiding/ Anleitung/ Manual/ Manuel/

DATE:

1-9-2020

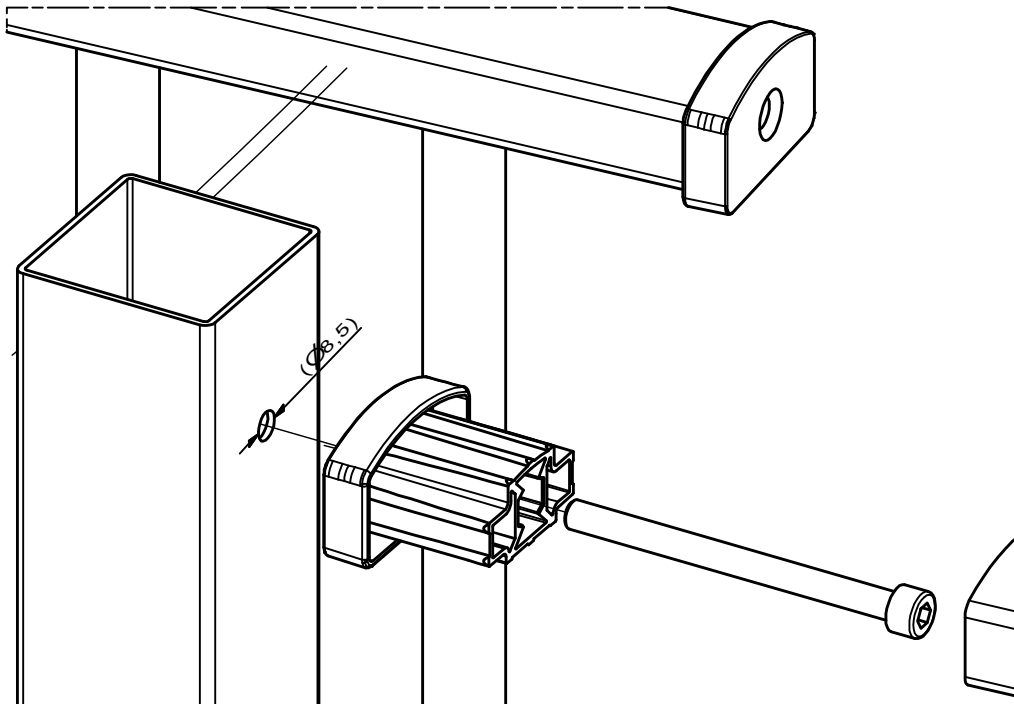
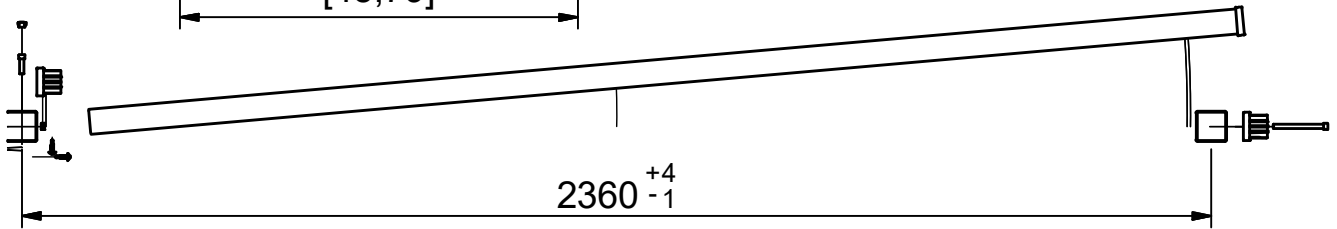
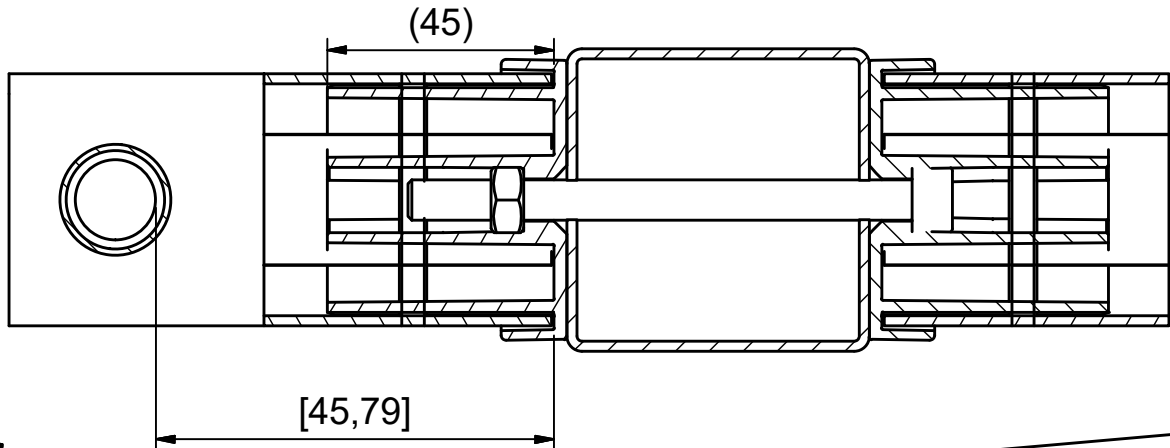
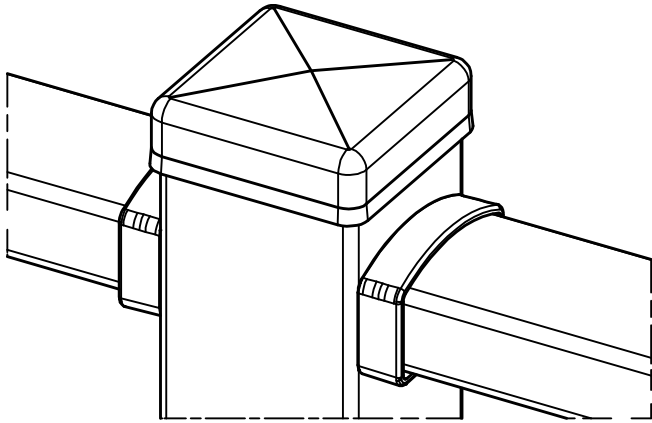
Spijlenhekwerk/ Stabgitter/ Bar fencing/ Element de Barreaux

barfence

SHEET:

5 / 16

Heracles/Atlas/ Athos/Grence/ Orpheus/Theia



HERAS

DESIGNED BY: Handleiding/ Anleitung/ Manual/ Manuel/
JR

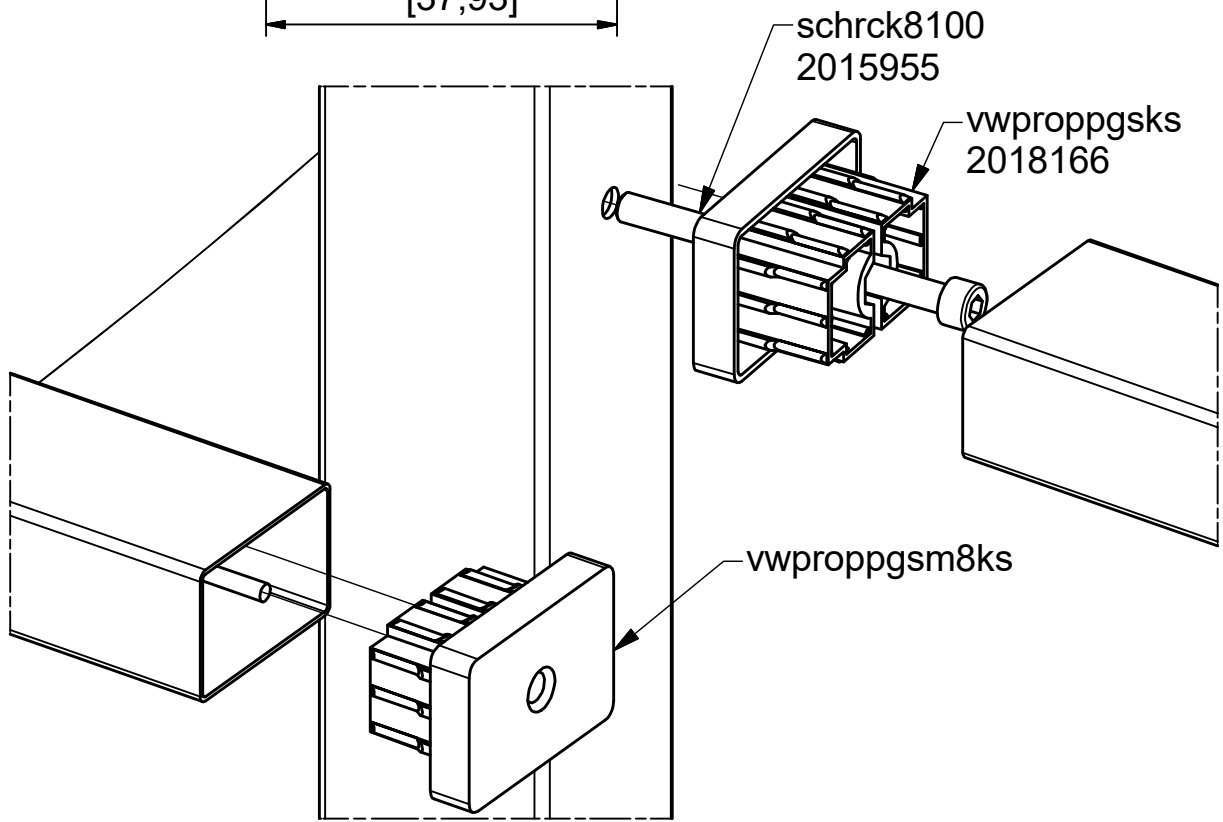
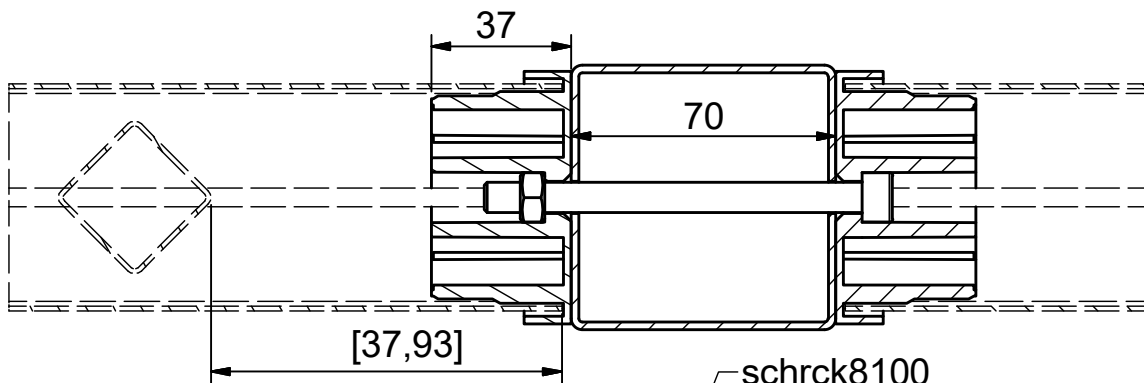
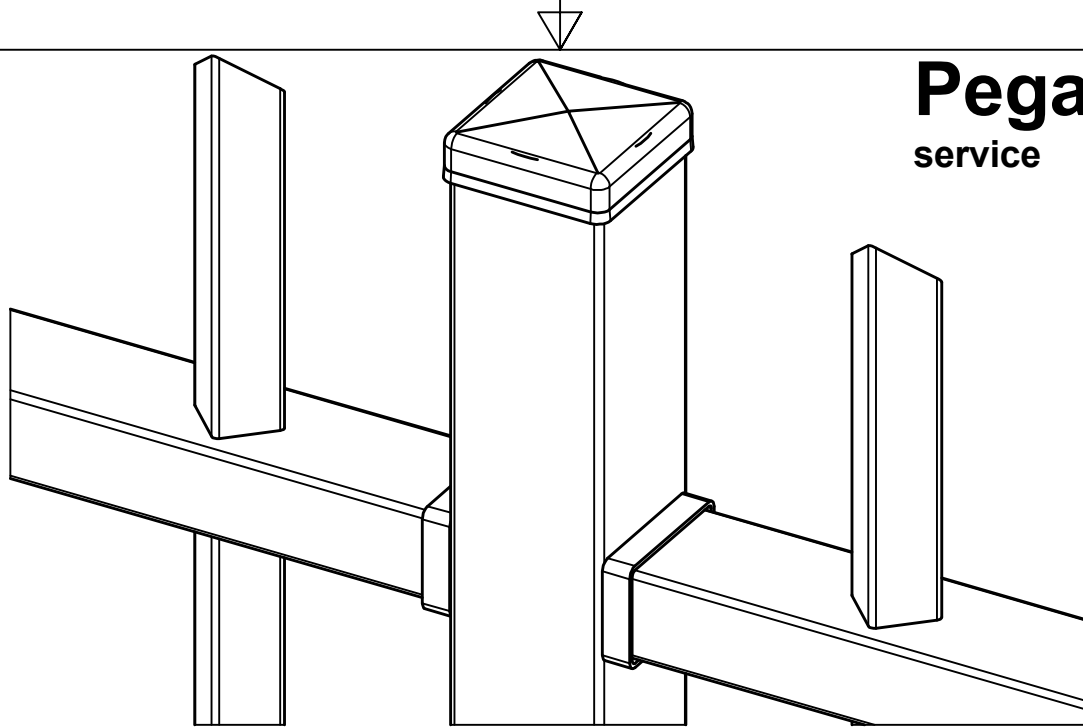
DATE: 1-9-2020 Spijlenhekwerk/ Stabgitter/ Bar fencing/ Element de Barreaux

barfence

SHEET:
6 / 16

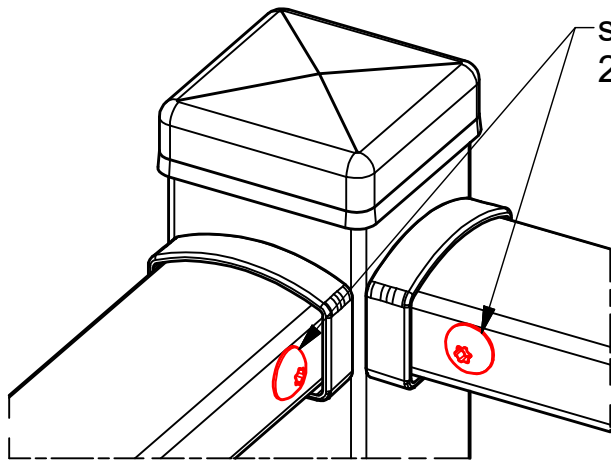
Pegasus

service

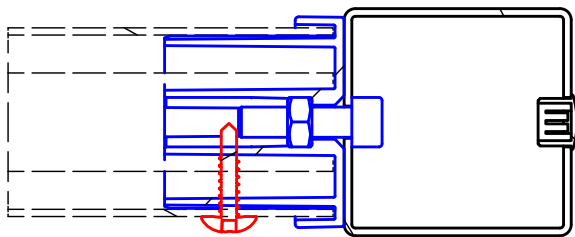
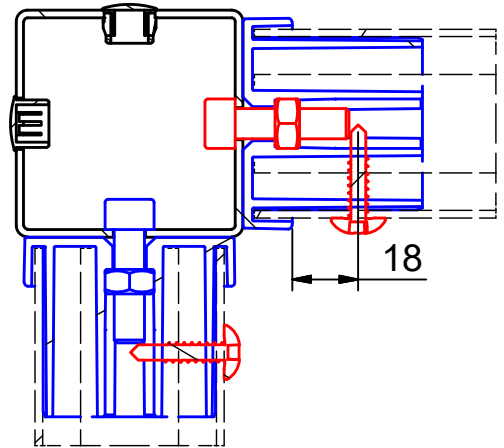


HERAS

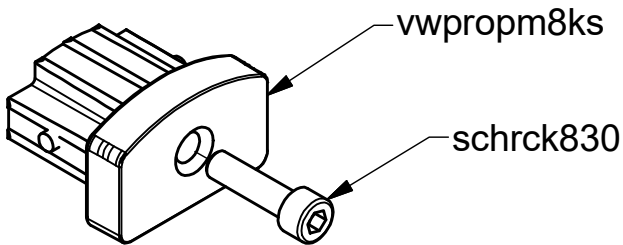
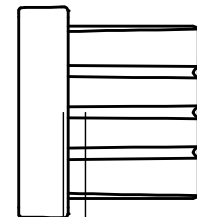
DESIGNED BY:	JR	Handleiding/ Anleitung/ Manual/ Manuel/	barfence
DATE:	1-9-2020	Spijlenhekwerk/ Stabgitter/ Bar fencing/ Element de Barreaux	SHEET: 7 / 16



secure !
2016026



afdichtplug13zwa



vwpropm8ks

schrck830

Ø13

Ø13

Ø8,5



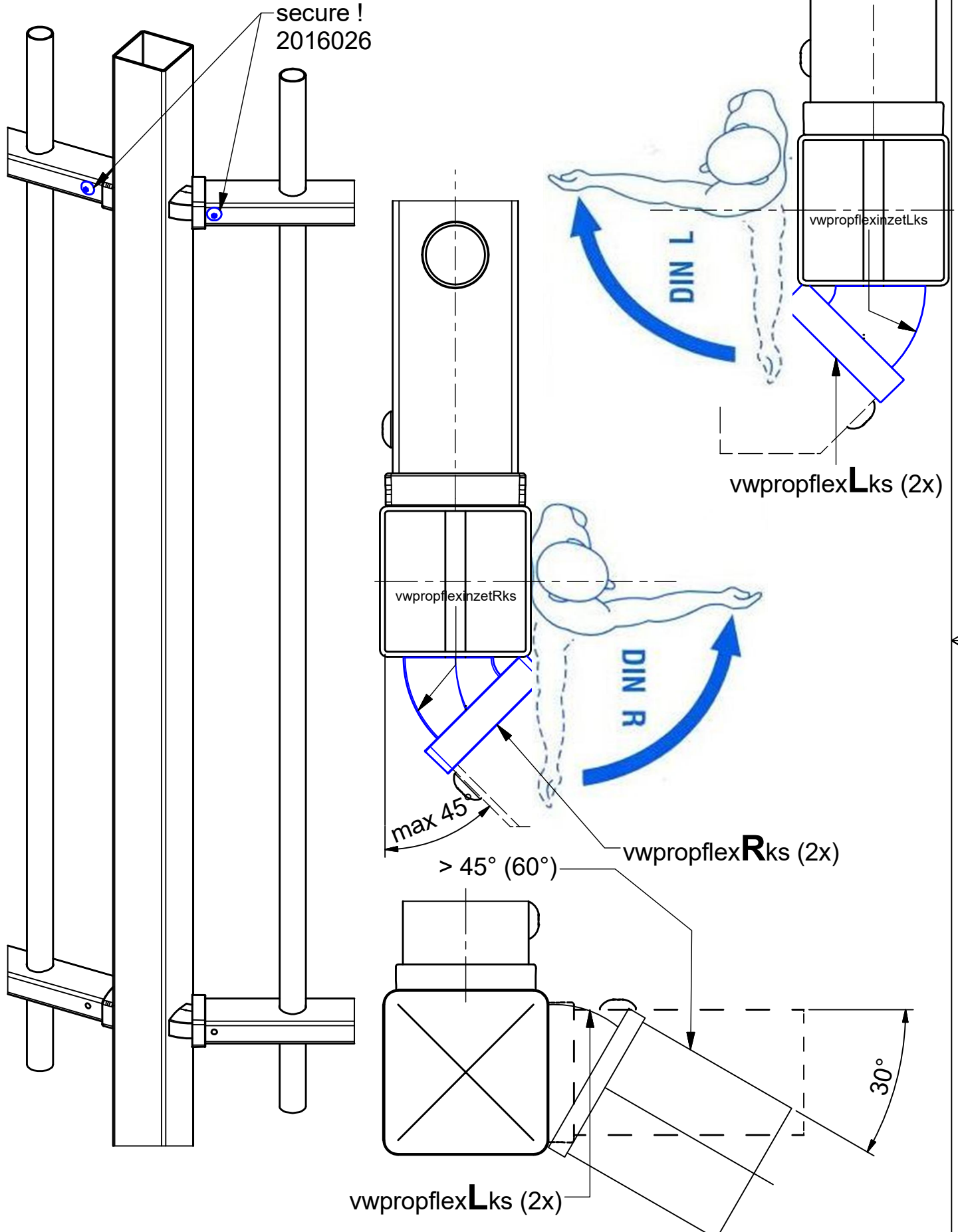
D

HERAS

DESIGNED BY: JR	Handleiding/ Anleitung/ Manual/ Manuel/	barfence
DATE: 1-9-2020	Spijlenhekwerk/ Stabgitter/ Bar fencing/ Element de Barreaux	SHEET: 8 /16



Atlas/Athos/Grence/Orpheus/Theia



HERAS

DESIGNED BY: Handleiding/ Anleitung/ Manual/ Manuel/
JR

DATE: 1-9-2020
Spijlenhekwerk/ Stabgitter/ Bar fencing/ Element de Barreaux

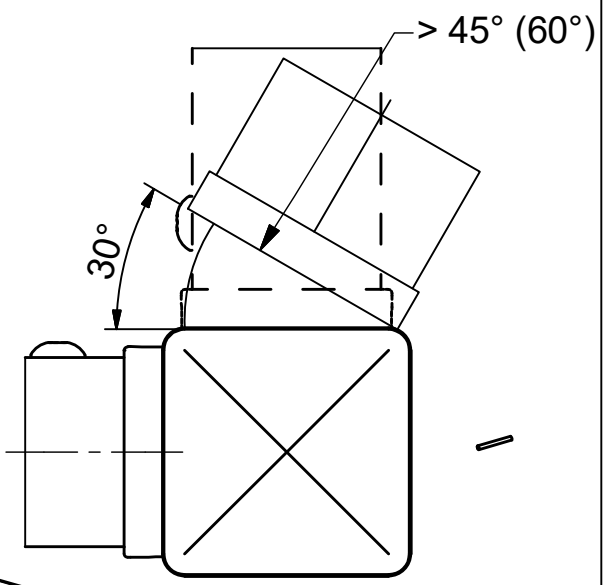
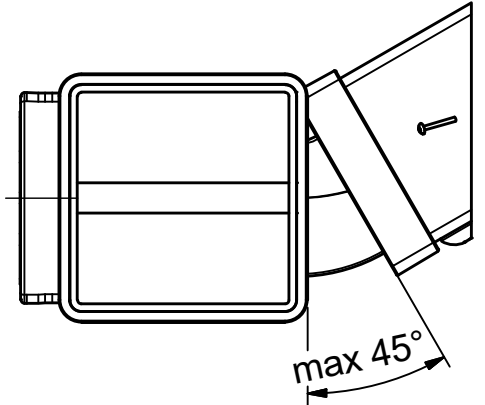
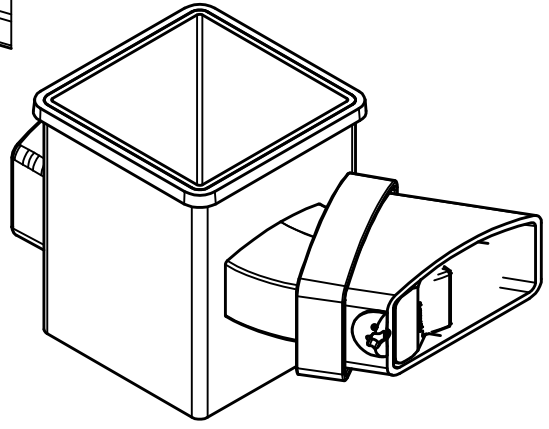
barfence

SHEET:
9 / 16

Grence/Heracles

secure !
2016026

vwpropflexRks



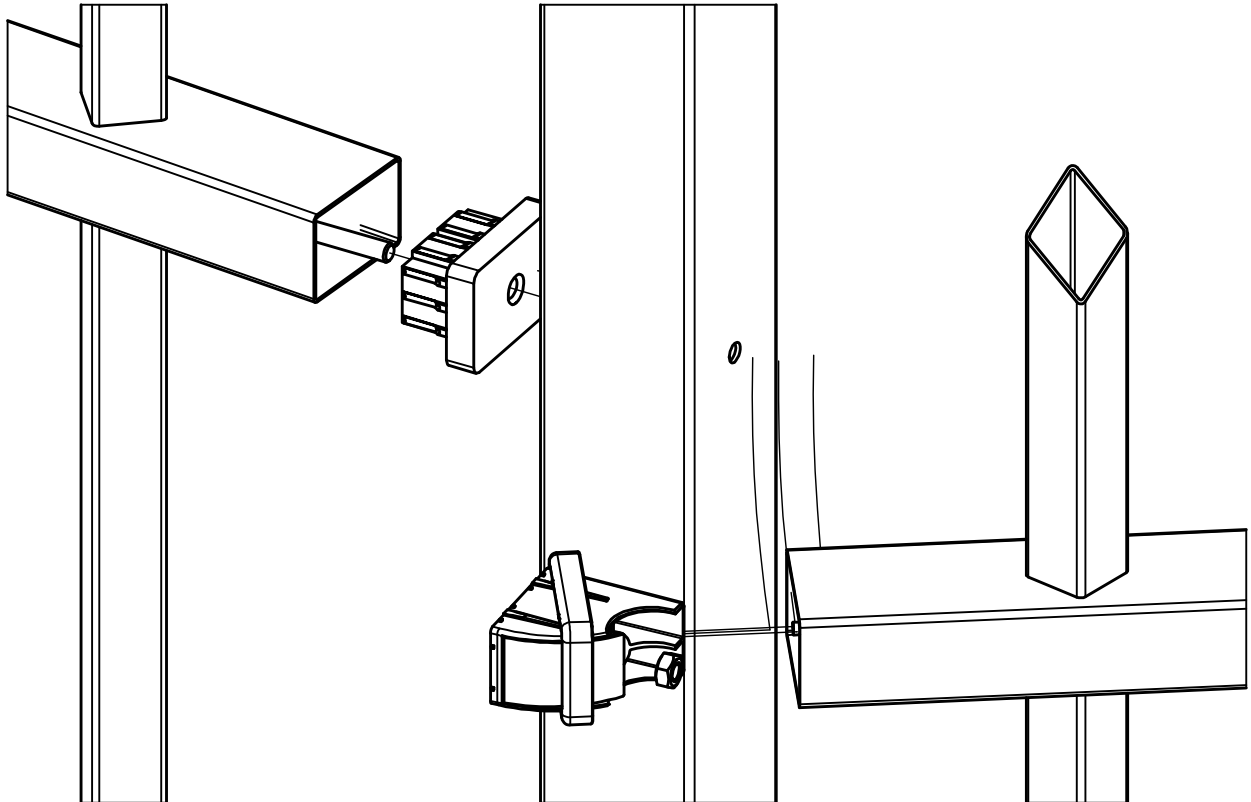
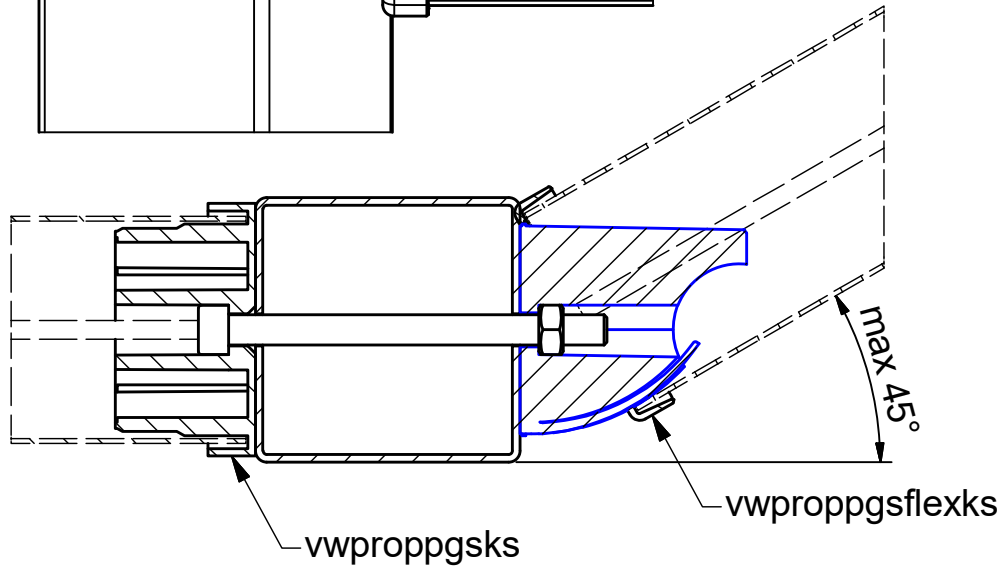
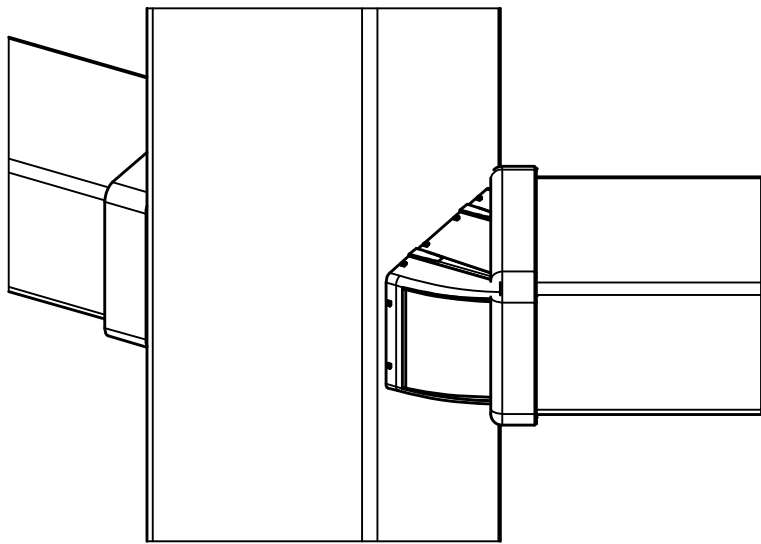
vwpropflexLks
vwpropflexinzetLks

HERAS

DESIGNED BY: JR	Handleiding/ Anleitung/ Manual/ Manuel/	barfence
DATE: 1-9-2020	Spijlenhekwerk/ Stabgitter/ Bar fencing/ Element de Barreaux	SHEET: 10 / 16

Pegasus

service



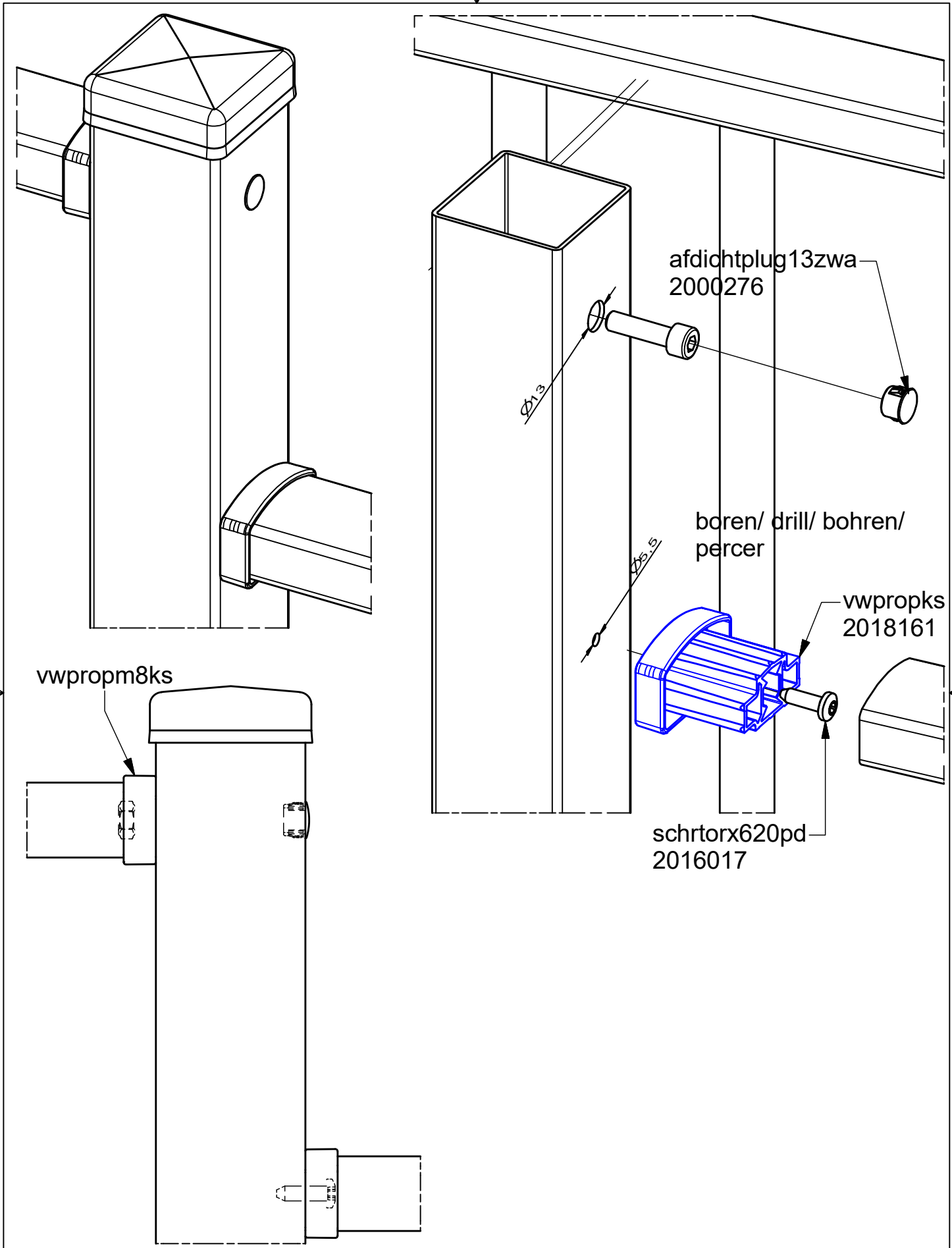
HERAS

DESIGNED BY: Handleiding/ Anleitung/ Manual/ Manuel/
JR

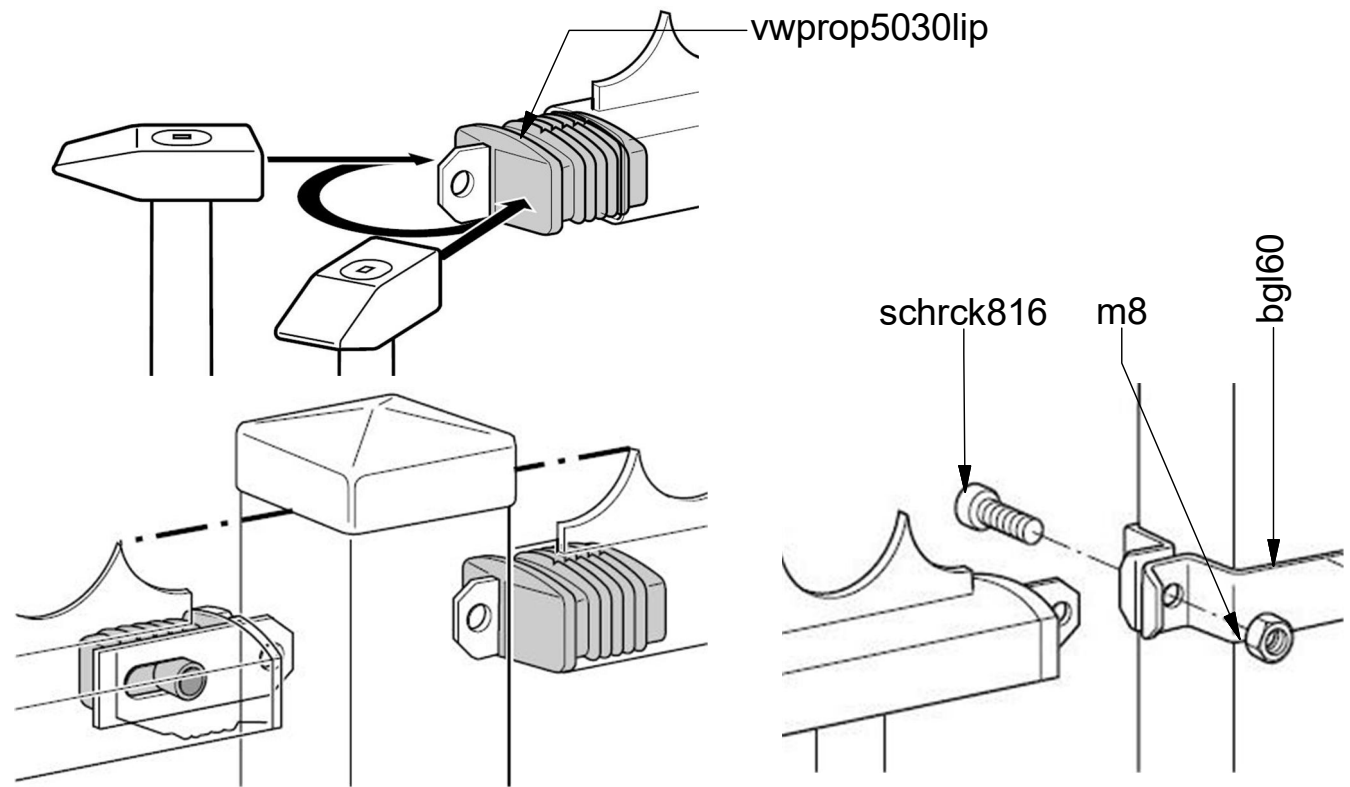
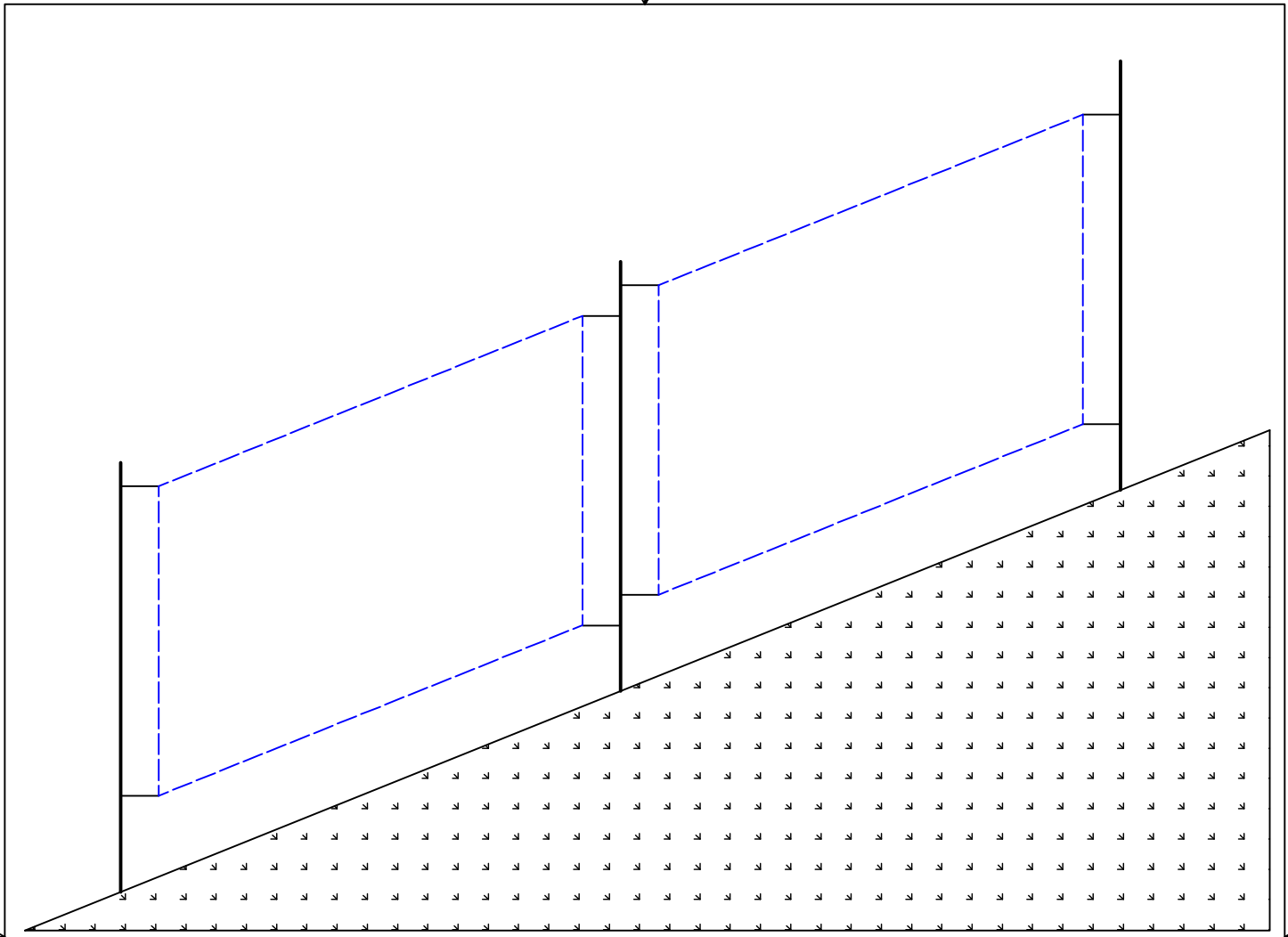
DATE: 1-9-2020
Spijlenhekwerk/ Stabgitter/ Bar fencing/ Element de Barreaux

barfence

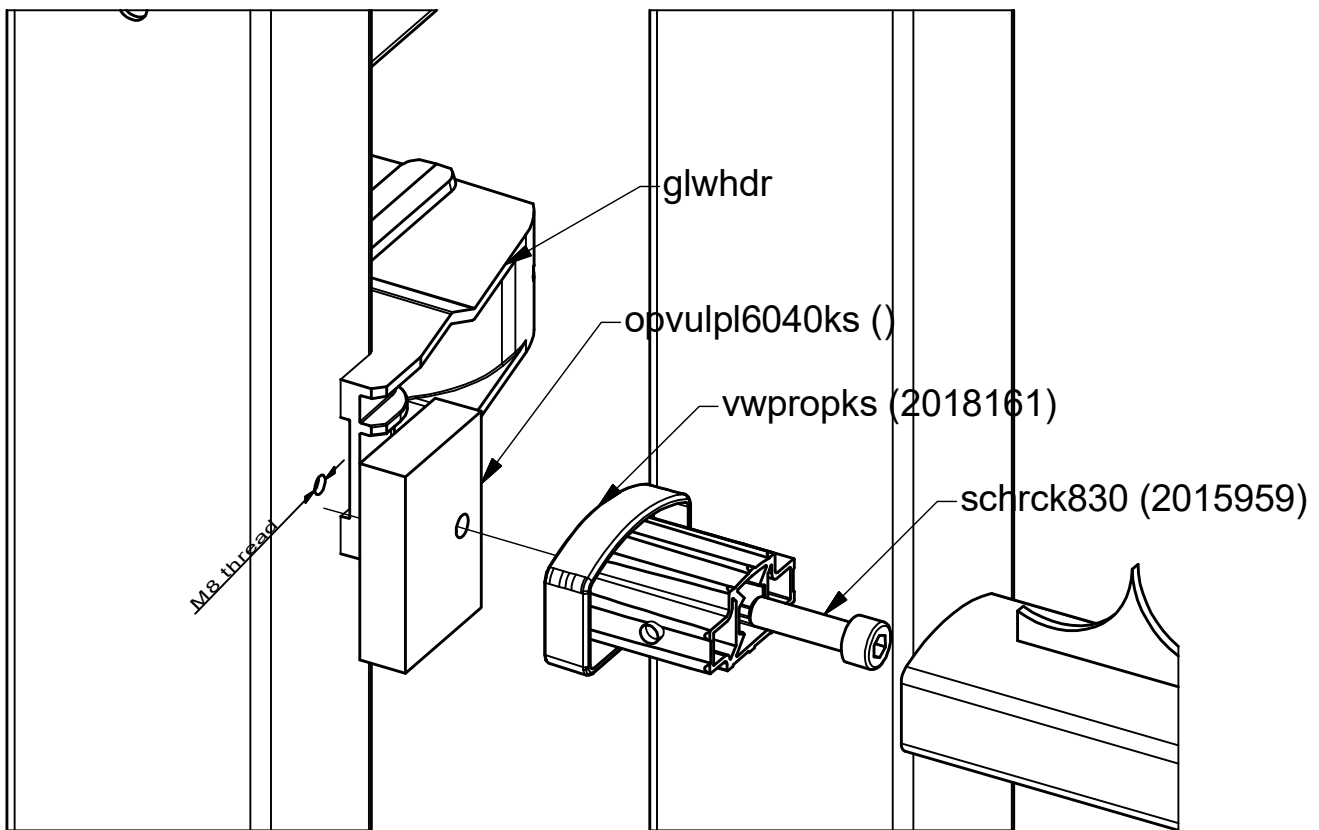
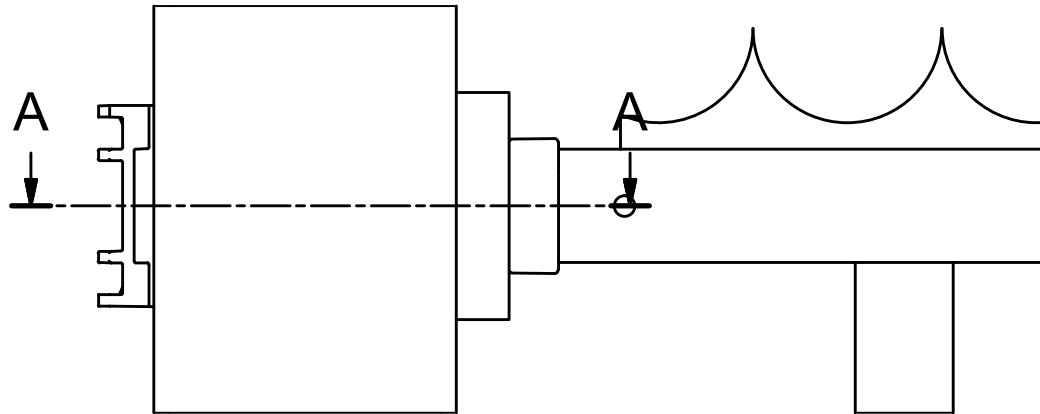
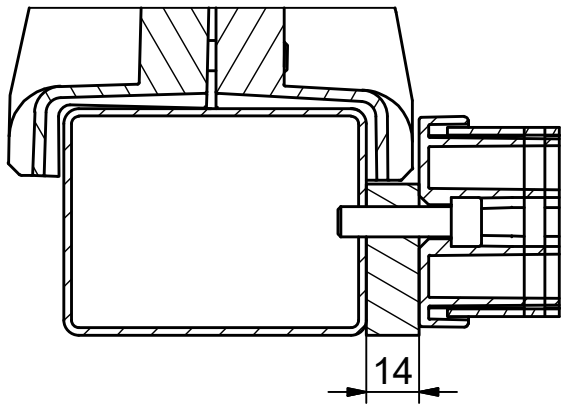
SHEET:
11 / 16



HERAS	DESIGNED BY: JR	Handleiding/ Anleitung/ Manual/ Manuel/	barfence
	DATE: 1-9-2020	Spijlenhekwerk/ Stabgitter/ Bar fencing/ Element de Barreaux	SHEET: 12 / 16



HERAS	DESIGNED BY:	Handleiding/ Anleitung/ Manual/ Manuel/	
	DATE:	Spijlenhekwerk/ Stabgitter/ Bar fencing/ Element de Barreaux	
	JR		barfence
	1-9-2020		SHEET: 13 / 16



HERAS

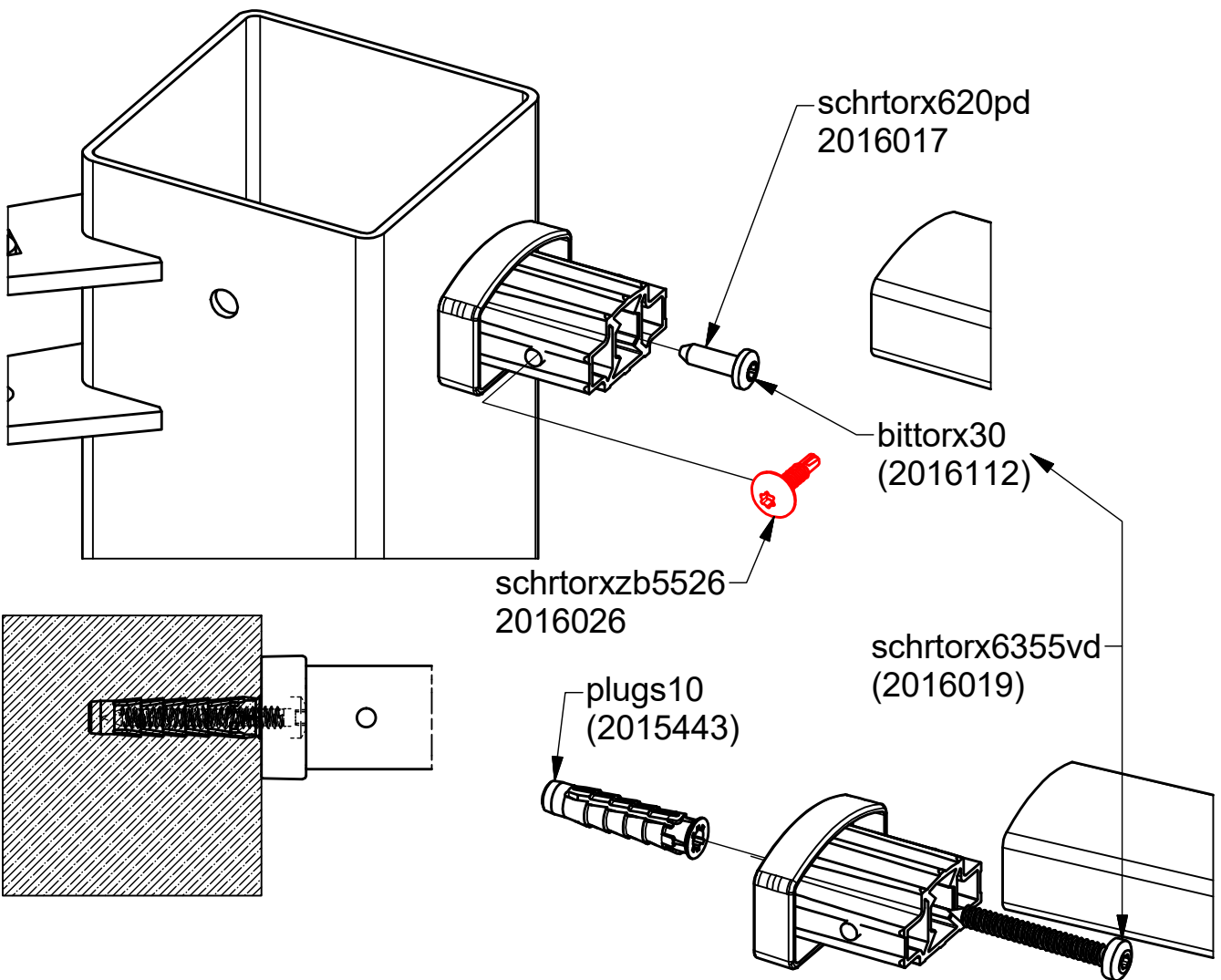
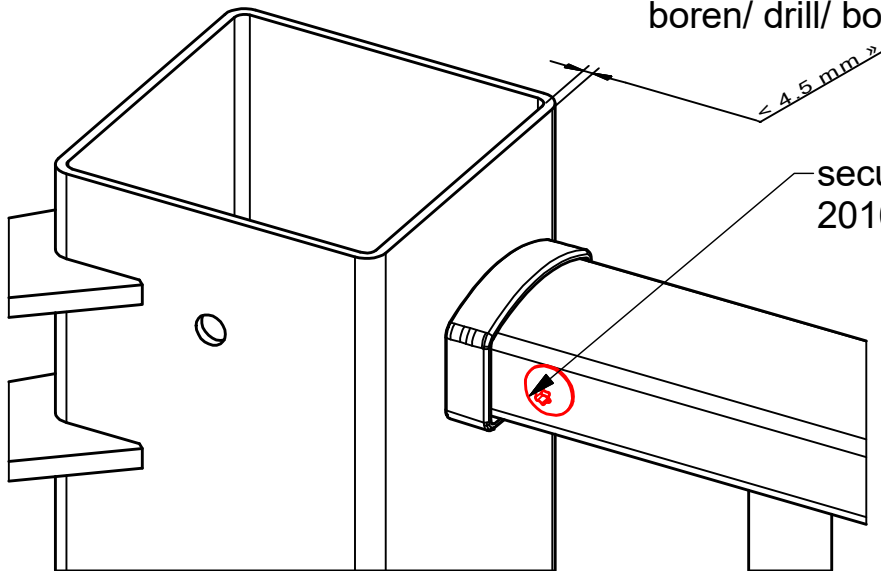
DESIGNED BY: Handleiding/ Anleitung/ Manual/ Manuel/
JR

DATE: 1-9-2020
Spijlenhekwerk/ Stabgitter/ Bar fencing/ Element de Barreaux

barfence

SHEET:
14 / 16

OPTIE/ OPTIONAL/ OPTION
 boren/ drill/ bohren/ percer Ø9.7 mm



HERAS

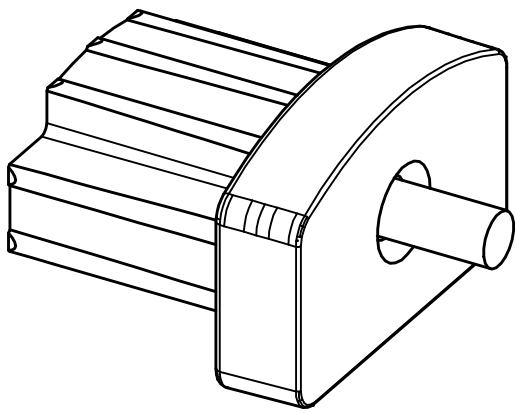
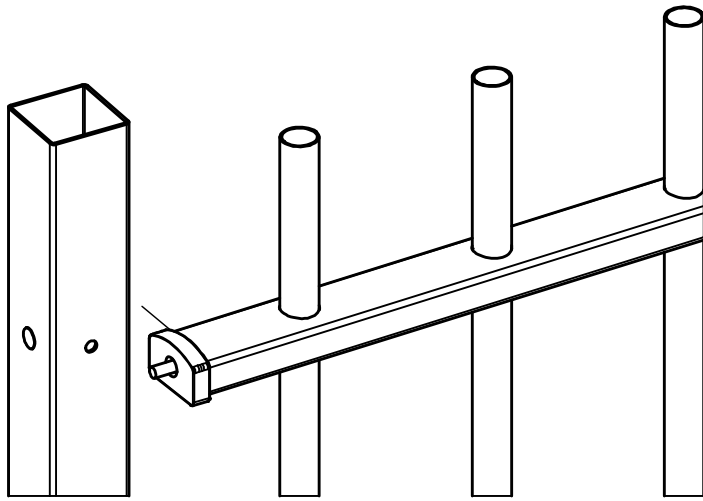
DESIGNED BY: Handleiding/ Anleitung/ Manual/ Manuel/
 JR

DATE: 1-9-2020 Spijlenhekwerk/ Stabgitter/ Bar fencing/ Element de Barreaux

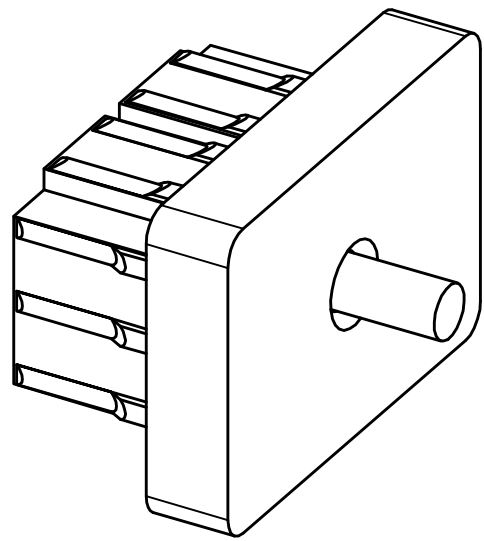
barfence

SHEET:
 15 / 16

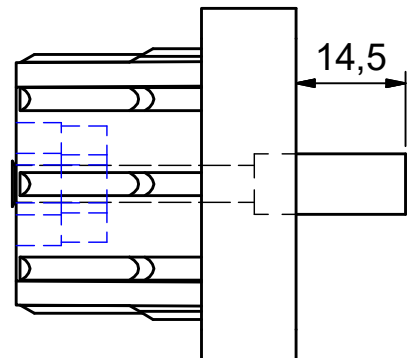
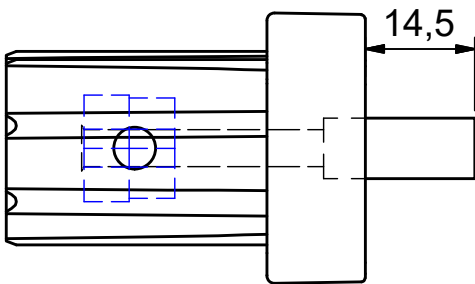
SERVICE



vwservicepropks



vwserviceproppgsk



HERAS

DESIGNED BY:

JR

DATE:

1-9-2020

Handleiding/ Anleitung/ Manual/ Manuel/

Spijlenhekwerk/ Stabgitter/ Bar fencing/ Element de Barreaux

barfence

SHEET:

16 / 16